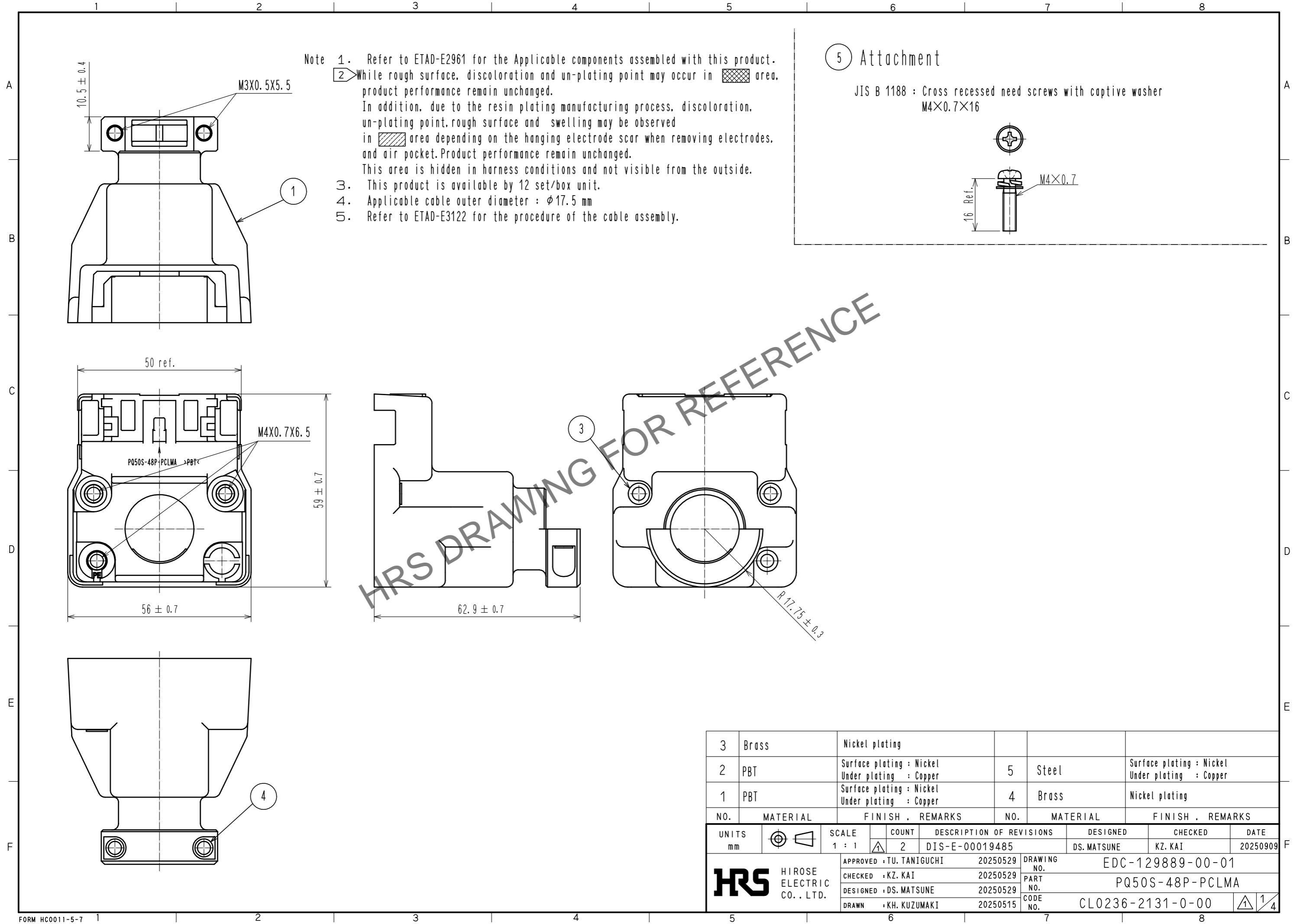
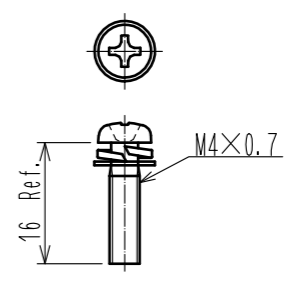


Mar.1.2026 Copyright 2026 HIROSE ELECTRIC CO., LTD. All Rights Reserved.
In case of consideration for using Automotive equipment / device which demand high reliability, kindly contact our sales window correspondents.



5 Attachment

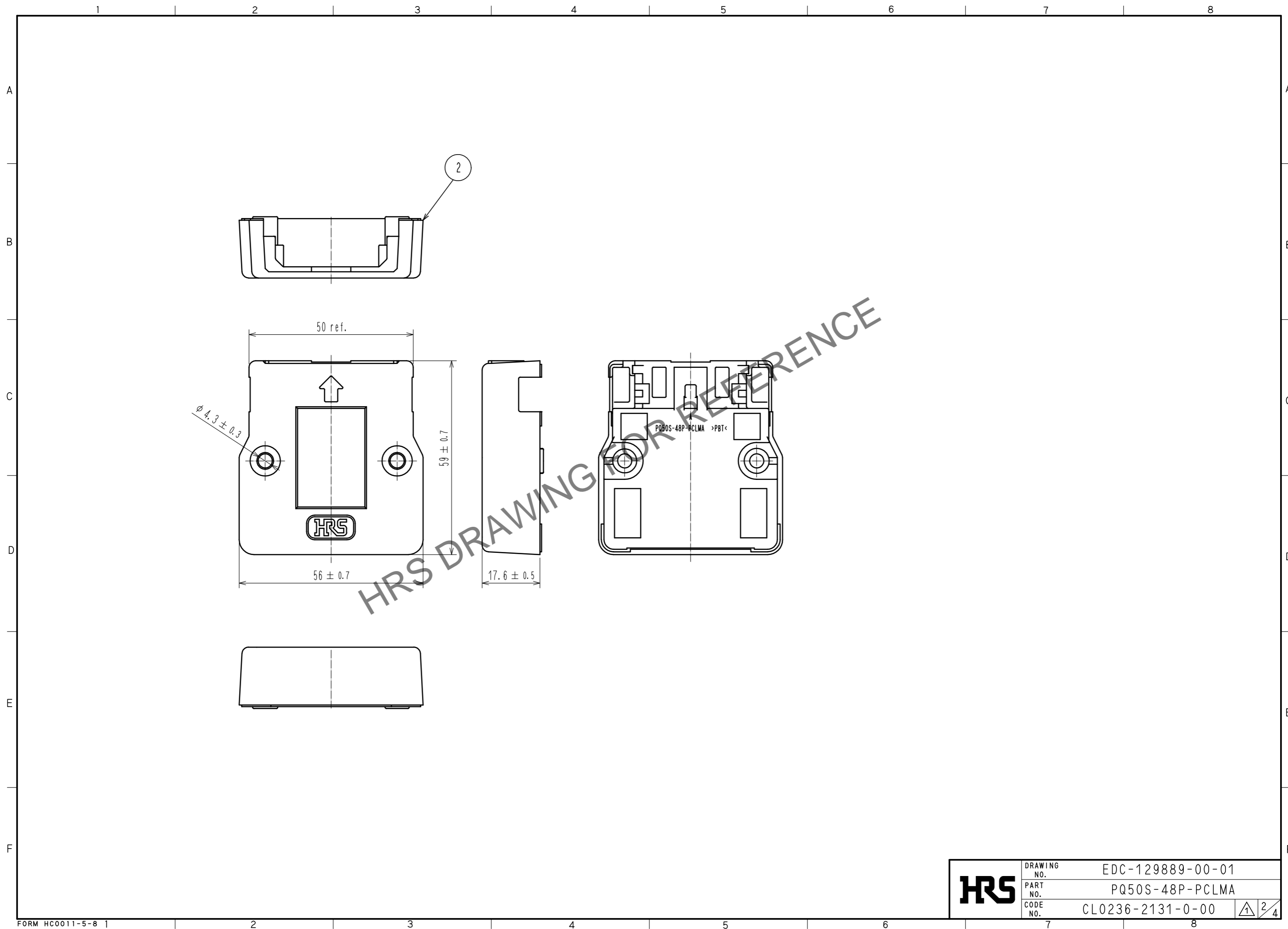
JIS B 1188 : Cross recessed need screws with captive washer
 M4×0.7×16



HRS DRAWING FOR REFERENCE

3	Brass	Nickel plating			
2	PBT	Surface plating : Nickel Under plating : Copper	5	Steel	Surface plating : Nickel Under plating : Copper
1	PBT	Surface plating : Nickel Under plating : Copper	4	Brass	Nickel plating
NO.	MATERIAL	FINISH . REMARKS	NO.	MATERIAL	FINISH . REMARKS
UNITS mm		SCALE 1 : 1	COUNT 	DESCRIPTION OF REVISIONS	
			2	DIS-E-00019485	DESIGNED DS. MATSUNE
HIROSE ELECTRIC CO., LTD.			APPROVED : TU. TANIGUCHI	20250529	DRAWING NO. EDC-129889-00-01
			CHECKED : KZ. KAI	20250529	PART NO. PQ50S-48P-PCLMA
			DESIGNED : DS. MATSUNE	20250529	CODE NO. CL0236-2131-0-00
			DRAWN : KH. KUZUMAKI	20250515	1/4
				DATE 20250909	CHECKED KZ. KAI

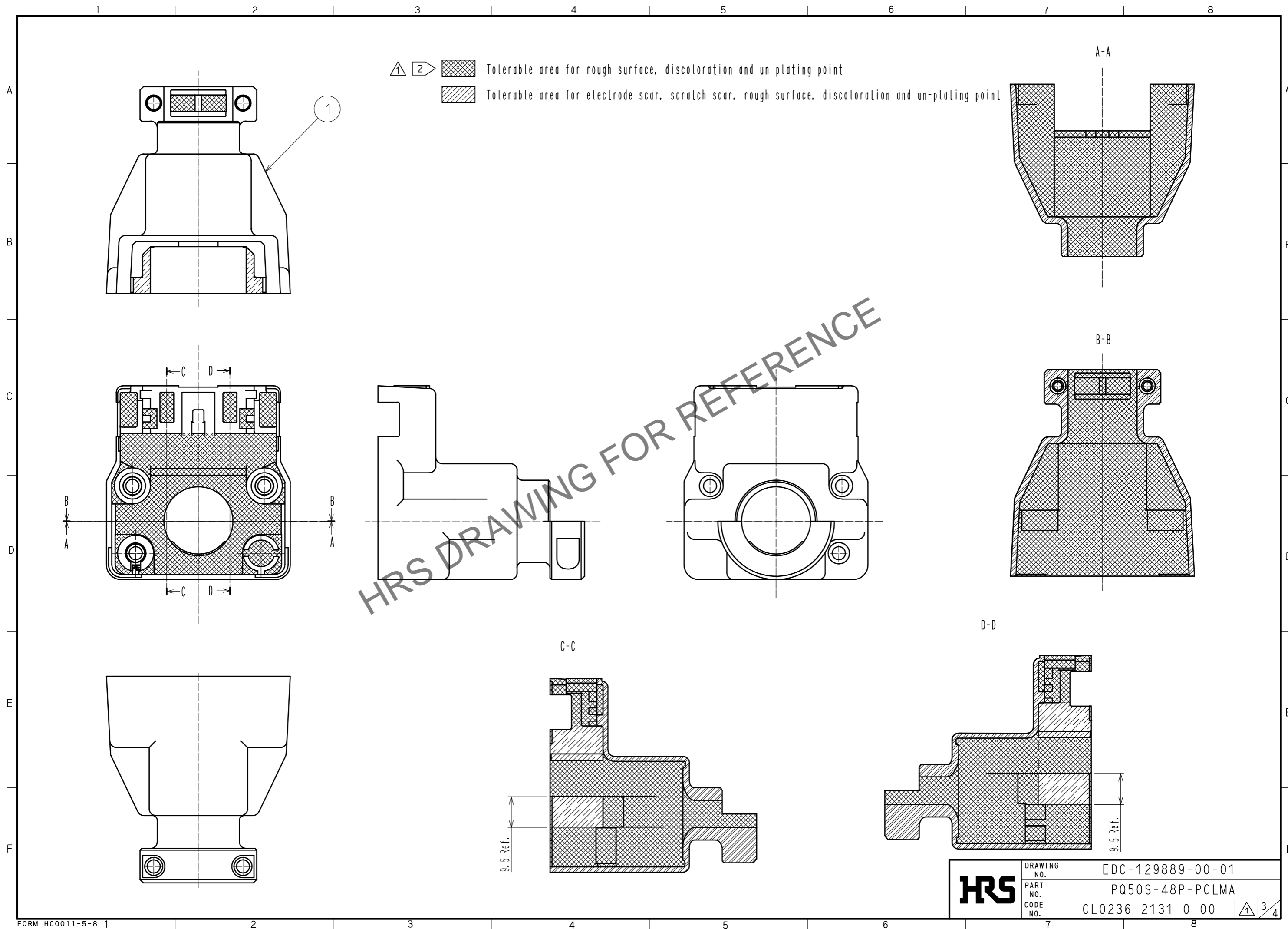
Mar.1.2026 Copyright 2026 HIROSE ELECTRIC CO., LTD. All Rights Reserved.
In case of consideration for using Automotive equipment / device which demand high reliability, kindly contact our sales window correspondents.



HRS	DRAWING NO.	EDC-129889-00-01
	PART NO.	PQ50S-48P-PCLMA
	CODE NO.	CL0236-2131-0-00

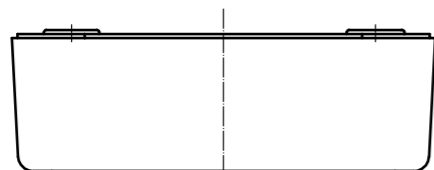
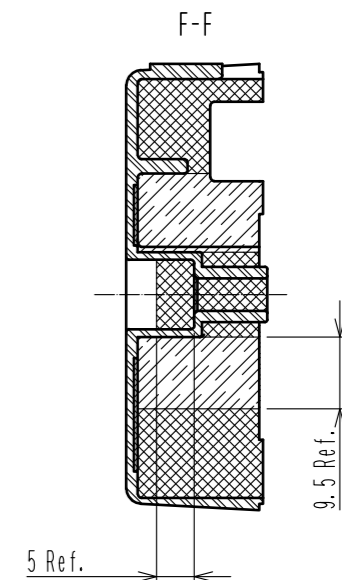
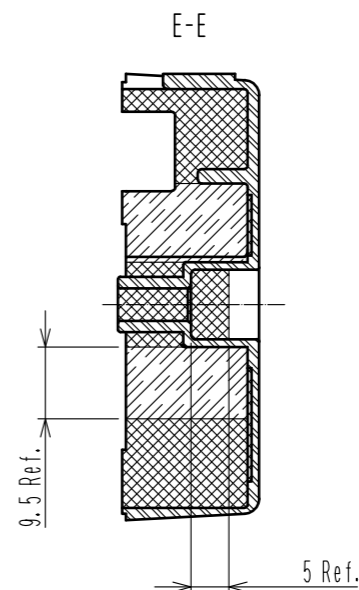
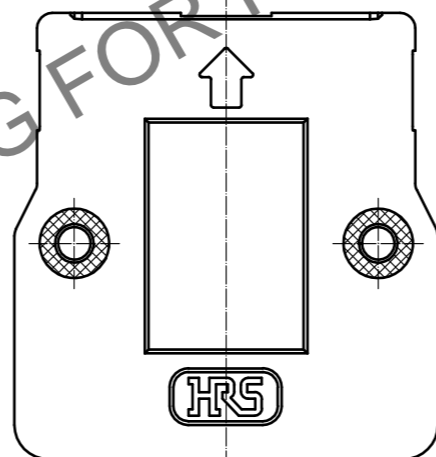
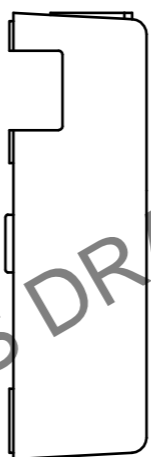
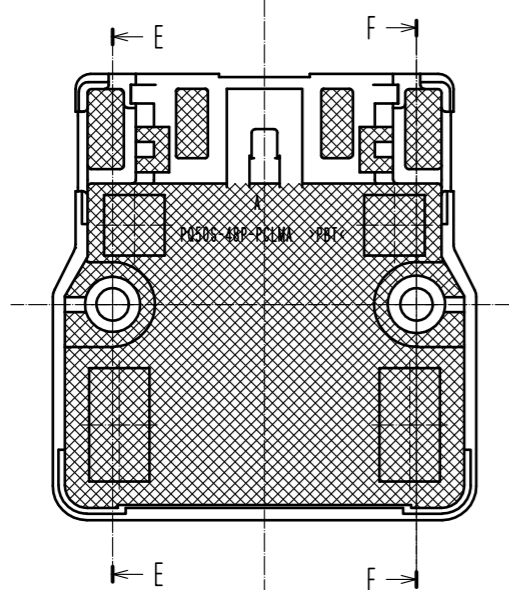
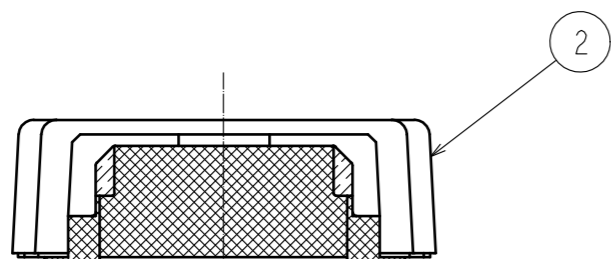
2/4

Mar.1.2026 Copyright 2026 HIROSE ELECTRIC CO., LTD. All Rights Reserved.
In case of consideration for using Automotive equipment / device which demand high reliability, kindly contact our sales window correspondents.



Mar.1.2026 Copyright 2026 HIROSE ELECTRIC CO., LTD. All Rights Reserved.
In case of consideration for using Automotive equipment / device which demand high reliability, kindly contact our sales window correspondents.

△ 2 Tolerable area for rough surface, discoloration and un-plating point
Tolerable area for electrode scar, scratch scar, rough surface, discoloration and un-plating point



HRS DRAWING FOR REFERENCE

HRS	DRAWING NO.	EDC-129889-00-01
	PART NO.	PQ50S-48P-PCLMA
	CODE NO.	CL0236-2131-0-00
		△ 4/4