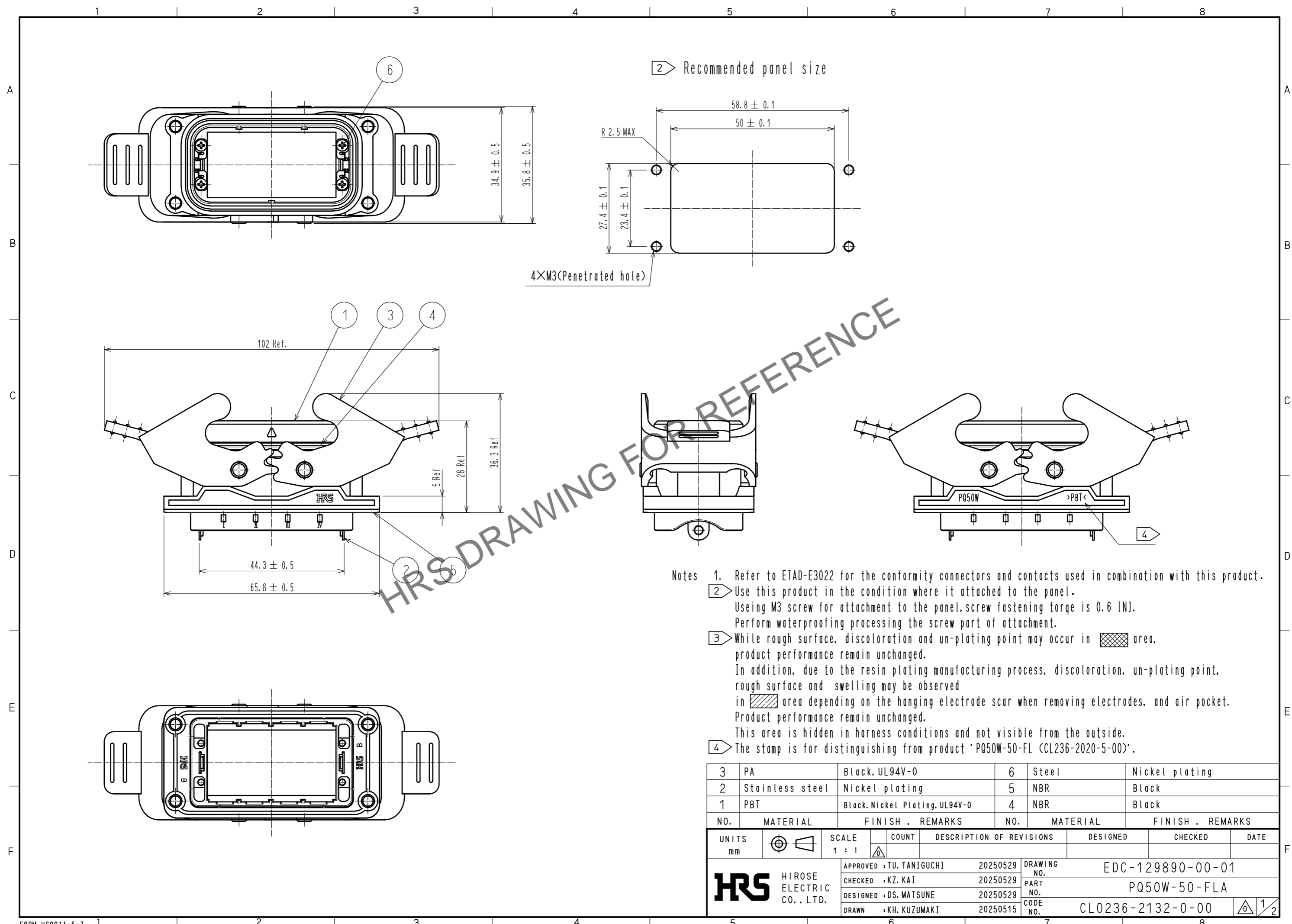


Apr.1.2026 Copyright 2026 HIROSE ELECTRIC CO., LTD. All Rights Reserved.
 In case of consideration for using Automotive equipment / device which demand high reliability, kindly contact our sales window correspondents.

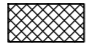



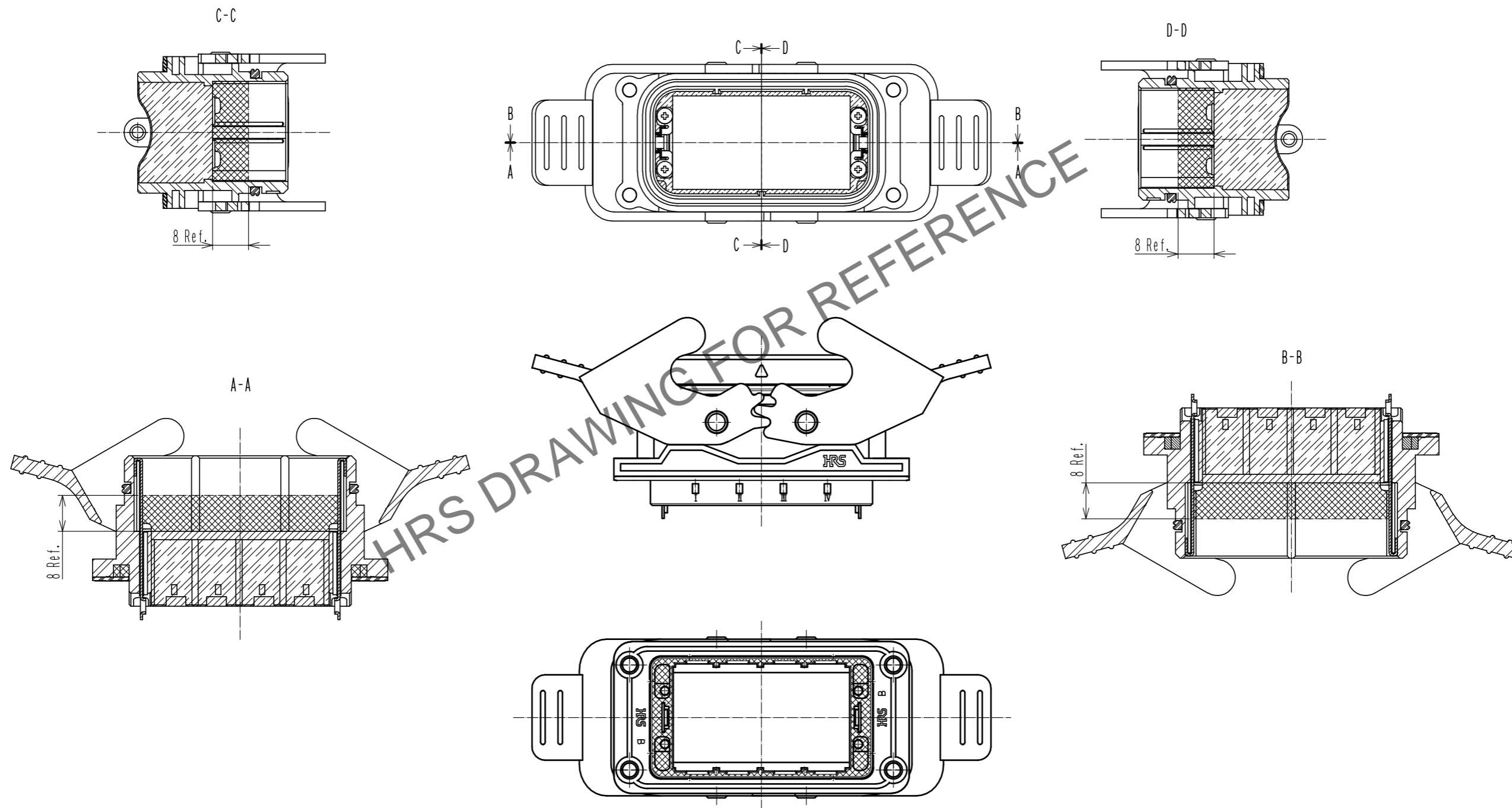
HRS DRAWING FOR REFERENCE


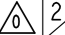
- Notes
1. Refer to ETAD-E3022 for the conformity connectors and contacts used in combination with this product.
 2. Use this product in the condition where it attached to the panel.
 Using M3 screw for attachment to the panel, screw fastening torque is 0.6 [N].
 Perform waterproofing processing the screw part of attachment.
 3. While rough surface, discoloration and un-plating point may occur in area, product performance remain unchanged.
 In addition, due to the resin plating manufacturing process, discoloration, un-plating point, rough surface and swelling may be observed in area depending on the hanging electrode scar when removing electrodes, and air pocket. Product performance remain unchanged.
 This area is hidden in harness conditions and not visible from the outside.
 4. The stamp is for distinguishing from product 'PQ50W-50-FL (CL236-2020-5-00)'

3	PA	Black, UL94V-0	6	Steel	Nickel plating
2	Stainless steel	Nickel plating	5	NBR	Black
1	PBT	Black, Nickel Plating, UL94V-0	4	NBR	Black
NO.	MATERIAL	FINISH . REMARKS	NO.	MATERIAL	FINISH . REMARKS
UNITS mm		SCALE 1 : 1	COUNT	DESCRIPTION OF REVISIONS	
		APPROVED : TU. TANIGUCHI	20250529	DRAWING NO. EDC-129890-00-01	
HIROSE ELECTRIC CO., LTD.		CHECKED : KZ. KAI	20250529	PART NO. PQ50W-50-FLA	
		DESIGNED : DS. MATSUNE	20250529	CODE NO. CL0236-2132-0-00	
		DRAWN : KH. KUZUMAKI	20250515		

Apr.1.2026 Copyright 2026 HIROSE ELECTRIC CO., LTD. All Rights Reserved.
In case of consideration for using Automotive equipment / device which demand high reliability, kindly contact our sales window correspondents.

- 3  Tolerable area for rough surface, discoloration and un-plating point
-  Tolerable area for electrode scar, scratch scar, rough surface, discoloration and un-plating point



	DRAWING NO.	EDC-129890-00-01
	PART NO.	PQ50W-50-FLA
	CODE NO.	CL0236-2132-0-00
		 2/2