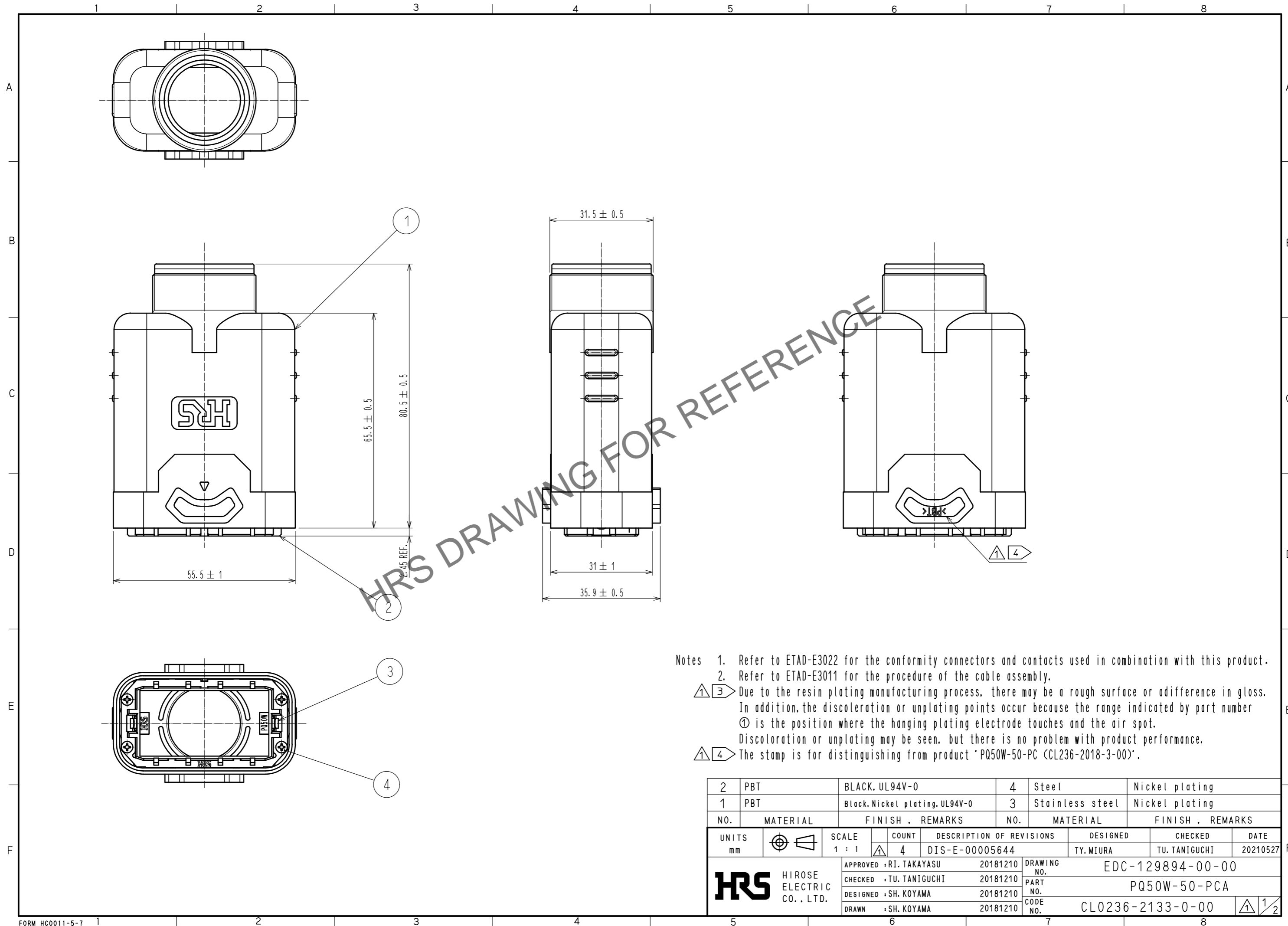


Oct.1.2024 Copyright 2024 HIROSE ELECTRIC CO., LTD. All Rights Reserved.
In case of consideration for using Automotive equipment / device which demand high reliability, kindly contact our sales window correspondents.

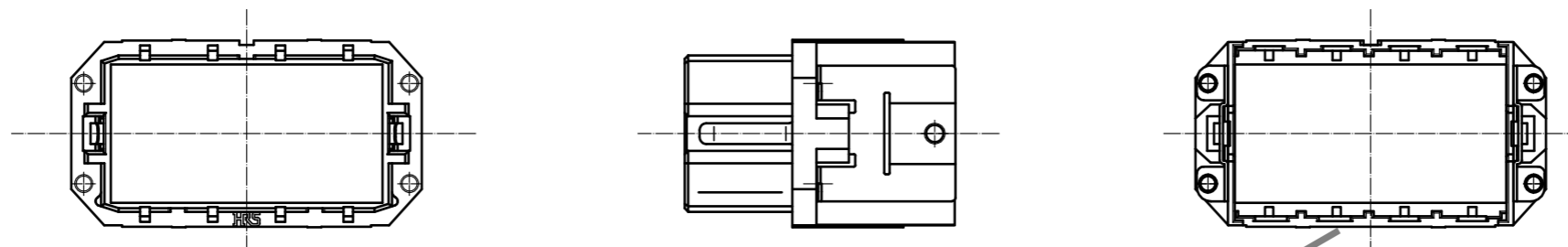


- Notes
1. Refer to ETAD-E3022 for the conformity connectors and contacts used in combination with this product.
 2. Refer to ETAD-E3011 for the procedure of the cable assembly.
 - ⚠ 3 Due to the resin plating manufacturing process, there may be a rough surface or adifference in gloss. In addition, the discoloration or unplating points occur because the range indicated by part number ① is the position where the hanging plating electrode touches and the air spot. Discoloration or unplating may be seen, but there is no problem with product performance.
 - ⚠ 4 The stamp is for distinguishing from product 'PQ50W-50-PC (CL236-2018-3-00)'.

2	PBT	BLACK, UL94V-0	4	Steel	Nickel plating
1	PBT	Black, Nickel plating, UL94V-0	3	Stainless steel	Nickel plating
NO.	MATERIAL	FINISH . REMARKS	NO.	MATERIAL	FINISH . REMARKS
UNITS mm		SCALE 1 : 1	COUNT 4	DESCRIPTION OF REVISIONS	
				DESIGNED TY. MIURA	CHECKED TU. TANIGUCHI
				DATE 20210527	
HRS HIROSE ELECTRIC CO., LTD.		APPROVED : RI. TAKAYASU 20181210	DRAWING NO. EDC-129894-00-00		
		CHECKED : TU. TANIGUCHI 20181210	PART NO. PQ50W-50-PCA		
		DESIGNED : SH. KOYAMA 20181210	CODE NO. CL0236-2133-0-00		
		DRAWN : SH. KOYAMA 20181210	⚠ 1/2		

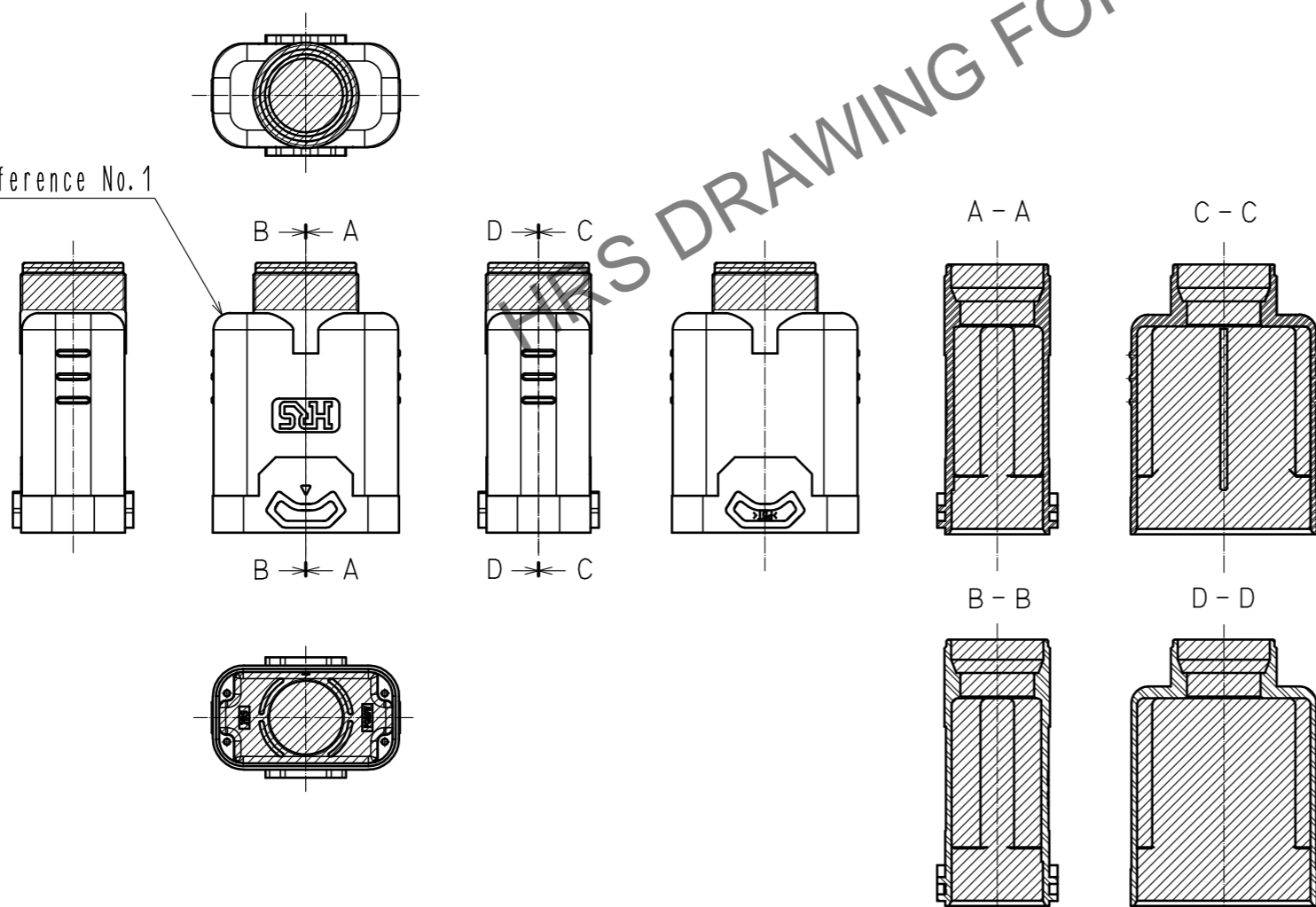
Oct.1.2024 Copyright 2024 HIROSE ELECTRIC CO., LTD. All Rights Reserved.
In case of consideration for using Automotive equipment / device which demand high reliability, kindly contact our sales window correspondents.

Assembly state of reference No.2 and 3.

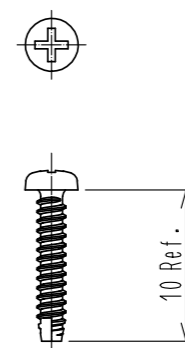


△ ③ Tolerable area for discoloration and plating removal (Free)

Reference No.1



Reference No.4(2:1)



HRS	DRAWING NO.	EDC-129894-00-00
	PART NO.	PQ50W-50-PCA
	CODE NO.	CL0236-2133-0-00
		△ 2/2