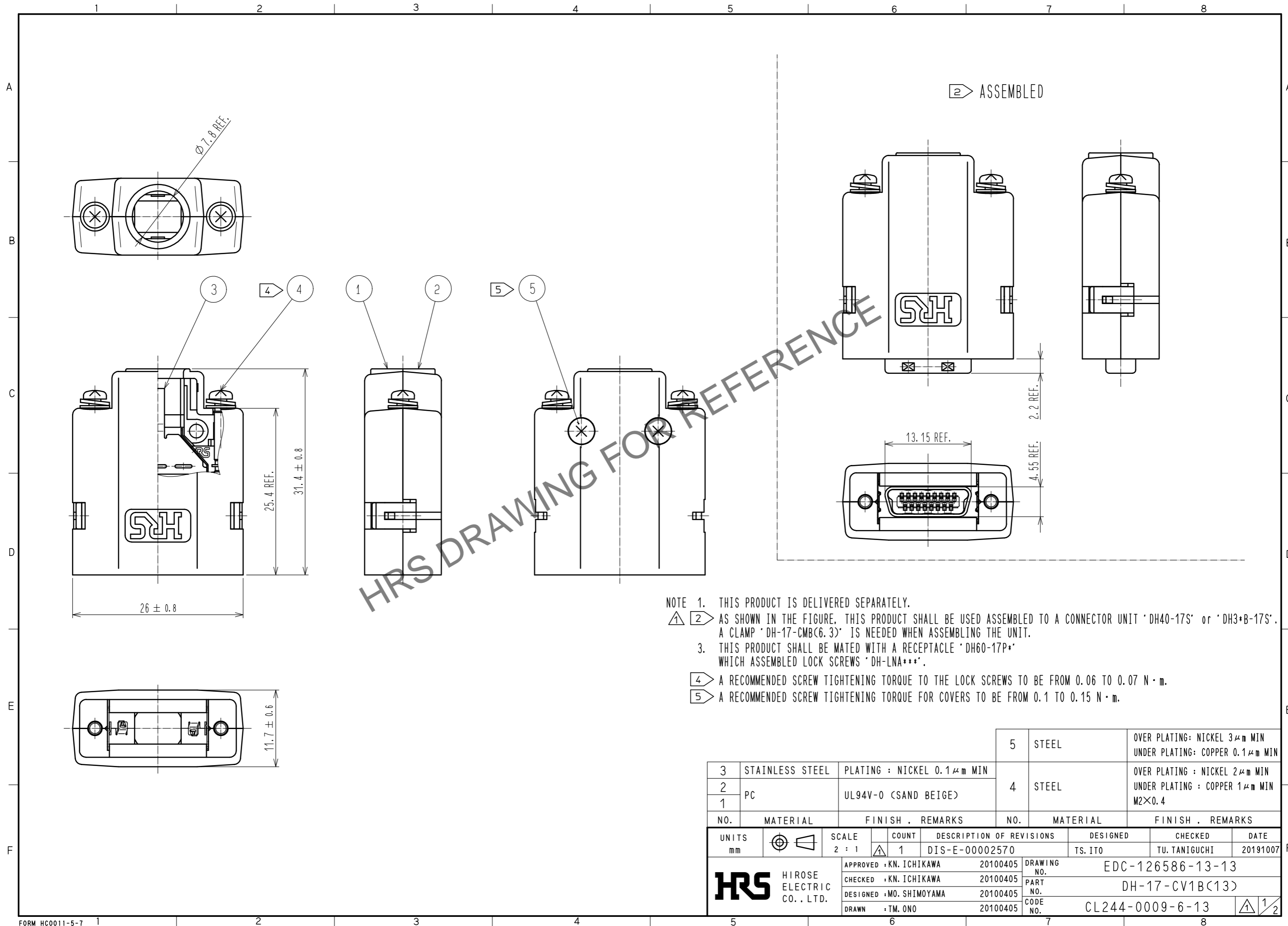


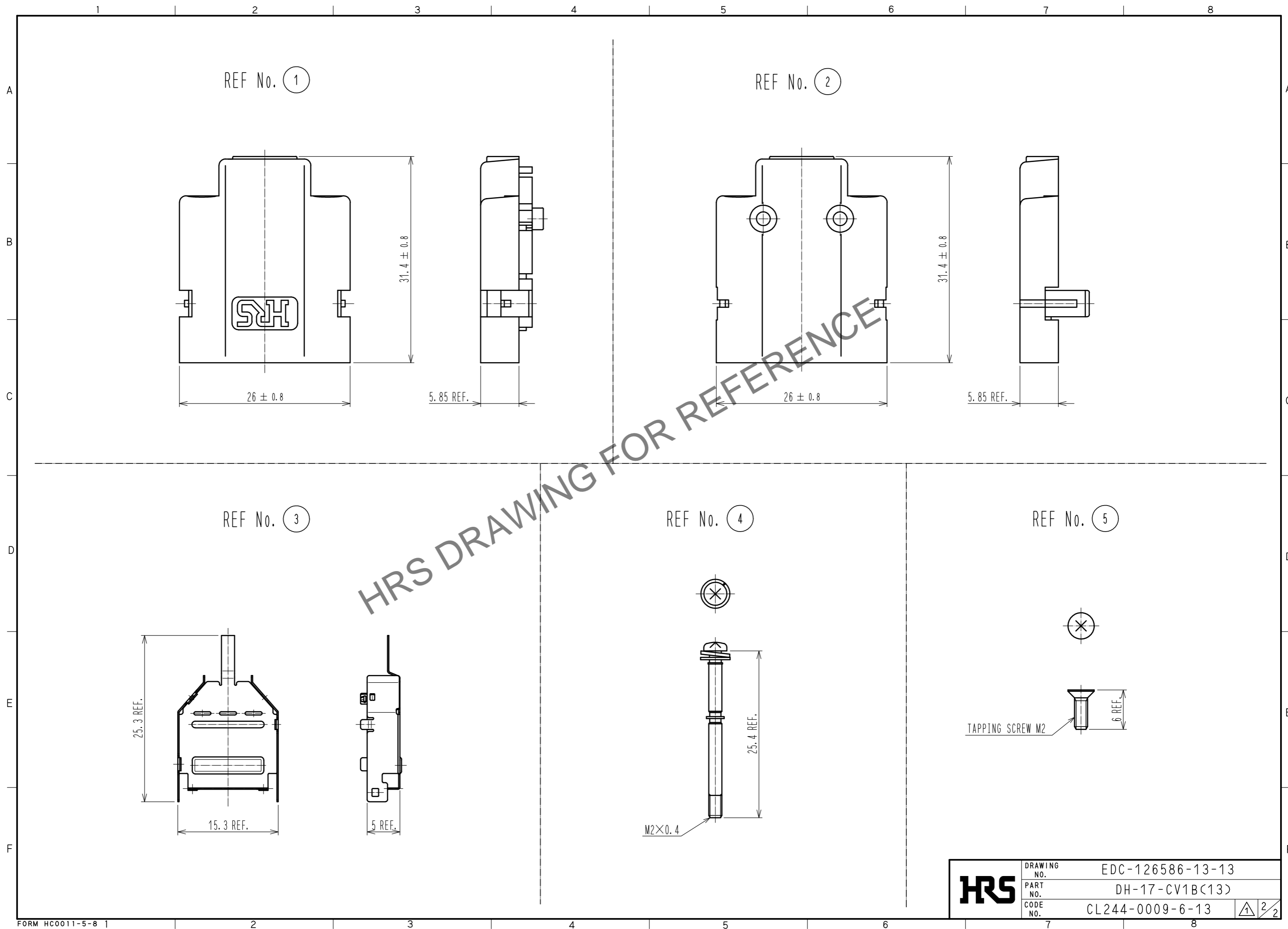
Jul.1.2024 Copyright 2024 HIROSE ELECTRIC CO., LTD. All Rights Reserved.  
 In case of consideration for using Automotive equipment / device which demand high reliability, kindly contact our sales window correspondents.



- NOTE 1. THIS PRODUCT IS DELIVERED SEPARATELY.  
 2 AS SHOWN IN THE FIGURE, THIS PRODUCT SHALL BE USED ASSEMBLED TO A CONNECTOR UNIT 'DH40-17S' or 'DH3+B-17S'. A CLAMP 'DH-17-CMB(6.3)' IS NEEDED WHEN ASSEMBLING THE UNIT.  
 3. THIS PRODUCT SHALL BE MATED WITH A RECEPTACLE 'DH60-17P\*' WHICH ASSEMBLED LOCK SCREWS 'DH-LNA\*\*\*'.  
 4 A RECOMMENDED SCREW TIGHTENING TORQUE TO THE LOCK SCREWS TO BE FROM 0.06 TO 0.07 N · m.  
 5 A RECOMMENDED SCREW TIGHTENING TORQUE FOR COVERS TO BE FROM 0.1 TO 0.15 N · m.

3	STAINLESS STEEL	PLATING : NICKEL 0.1 μm MIN	5	STEEL	OVER PLATING: NICKEL 3 μm MIN UNDER PLATING: COPPER 0.1 μm MIN
2	PC	UL94V-0 (SAND BEIGE)	4	STEEL	OVER PLATING : NICKEL 2 μm MIN UNDER PLATING : COPPER 1 μm MIN M2×0.4
1					
NO.	MATERIAL	FINISH . REMARKS	NO.	MATERIAL	FINISH . REMARKS
UNITS		SCALE	COUNT	DESCRIPTION OF REVISIONS	
mm		2 : 1	1	DIS-E-00002570	
		APPROVED : KN. ICHIKAWA	20100405	DESIGNED	TS. ITO
HIROSE ELECTRIC CO., LTD.		CHECKED : KN. ICHIKAWA	20100405	CHECKED	TU. TANIGUCHI
		DESIGNED : MO. SHIMOYAMA	20100405	DATE	20191007
		DRAWN : TM. ONO	20100405	DRAWING NO. EDC-126586-13-13	
				PART NO. DH-17-CV1B(13)	
				CODE NO. CL244-0009-6-13	
				1/2	

Jul.1.2024 Copyright 2024 HIROSE ELECTRIC CO., LTD. All Rights Reserved.  
In case of consideration for using Automotive equipment / device which demand high reliability, kindly contact our sales window correspondents.



<b>HRS</b>	DRAWING NO.	EDC-126586-13-13
	PART NO.	DH-17-CV1B(13)
	CODE NO.	CL244-0009-6-13
		2/2