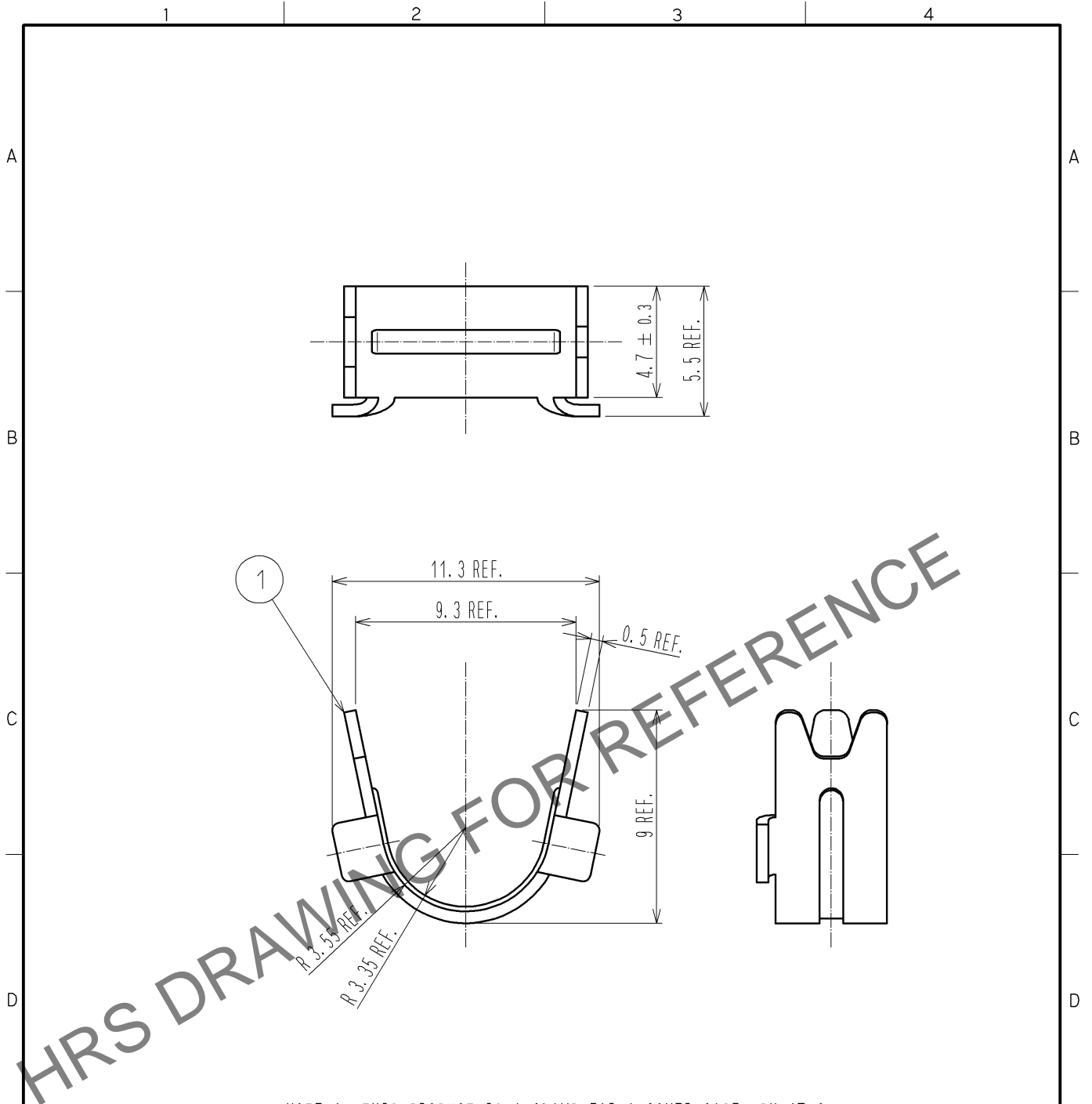


Jul.1.2024 Copyright 2024 HIROSE ELECTRIC CO., LTD. All Rights Reserved.
 In case of consideration for using Automotive equipment / device which demand high reliability, kindly contact our sales window correspondents.



- NOTE 1. THIS PRODUCT IS A CLAMP FOR A COVER CASE 'DH-17-C**B'.
2. THE APPLICABLE CABLE DIAMETER IS $\phi 6.3$.
- ⚠ 3. THIS PRODUCT IS PACKED IN A BAG.
 (QUANTITY PER BAG MAY VARY DUE TO THE AMOUNT OF EACH ORDER.)

NO.		MATERIAL		FINISH . REMARKS		1		BRASS		FINISH . REMARKS			
UNITS mm		SCALE 4 : 1		COUNT 1		DESCRIPTION OF REVISIONS DIS-E-003059		DESIGNED MO. SHIMOYAMA		CHECKED KN. ICHIKAWA		DATE 09.12.07	
HIROSE ELECTRIC CO., LTD.		APPROVED : AO. SUZUKI		09.04.16		DRAWING NO.		EDC4-126657-00					
		CHECKED : MO. SHIMOYAMA		09.04.16		PART NO.		DH-17-CMB(6.3)					
		DESIGNED : TS. ITO		09.04.14		CODE NO.		CL244-0031-5-00					
		DRAWN : TS. ITO		09.04.14								1/1	