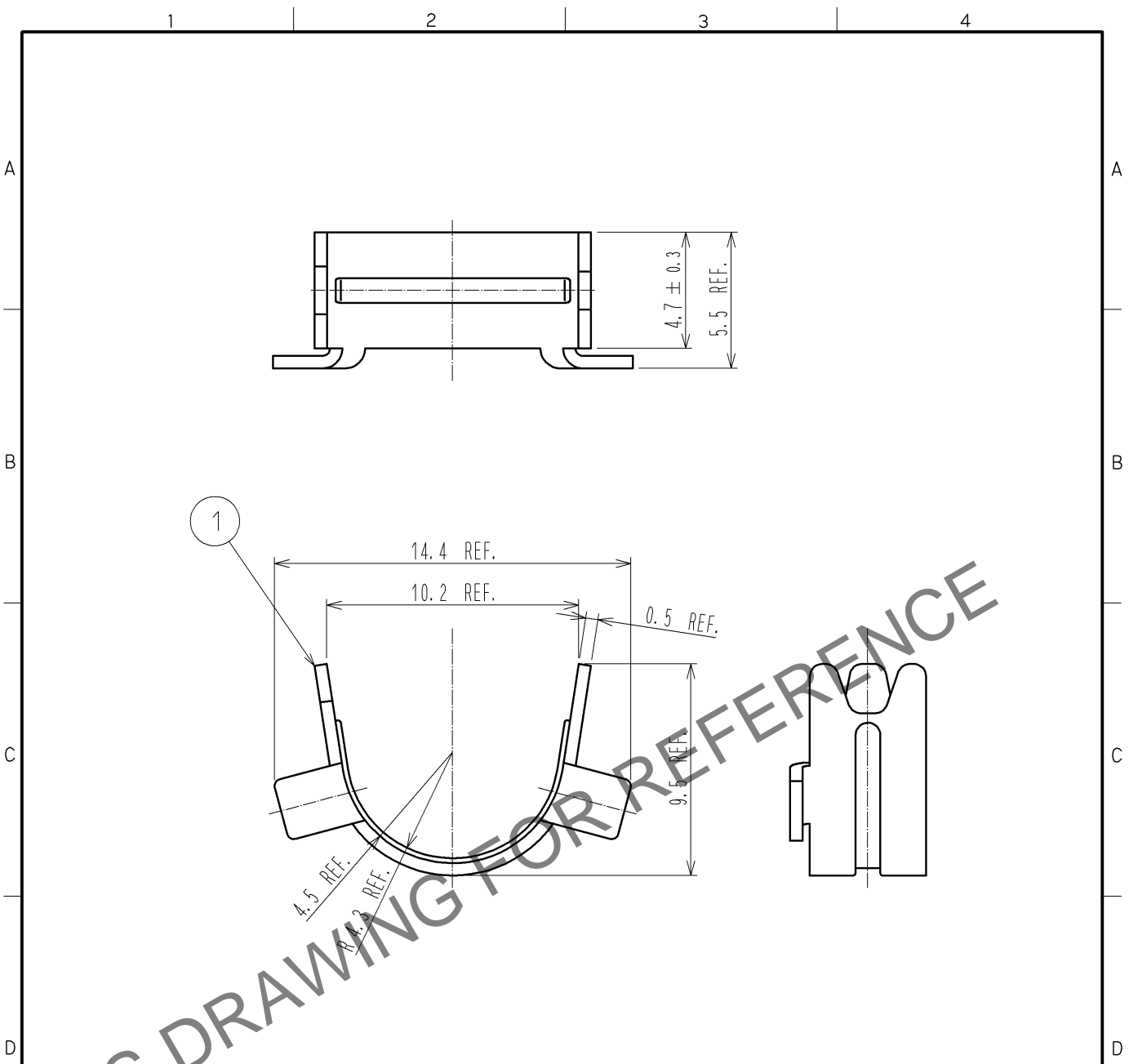


Aug.1.2024 Copyright 2024 HIROSE ELECTRIC CO., LTD. All Rights Reserved.
 In case of consideration for using Automotive equipment / device which demand high reliability, kindly contact our sales window correspondents.



- NOTE 1. THIS PRODUCT IS A CLAMP FOR A COVER CASE 'DH-27-C+*B'.
 2. THE APPLICABLE CABLE DIAMETER IS $\phi 6.9$.
 3. THIS PRODUCT IS PACKED IN A BAG.
 (QUANTITY PER BAG MAY VARY DUE TO THE AMOUNT OF EACH ORDER.)

NO.		MATERIAL		FINISH . REMARKS		1		BRASS		FINISH . REMARKS			
UNITS mm		SCALE 4 : 1		COUNT 1		DESCRIPTION OF REVISIONS DIS-E-003059		DESIGNED MO. SHIMOYAMA		CHECKED KN. ICHIKAWA		DATE 09.12.07	
HIROSE ELECTRIC CO., LTD.		APPROVED : AO. SUZUKI		09.10.05		DRAWING NO.		EDC4-126658-00					
		CHECKED : KN. ICHIKAWA		09.10.02		PART NO.		DH-27-CMB(7.3)					
		DESIGNED : TU. TANIGUCHI		09.10.02		CODE NO.		CL244-0032-8-00					
		DRAWN : TU. TANIGUCHI		09.10.02								1/1	