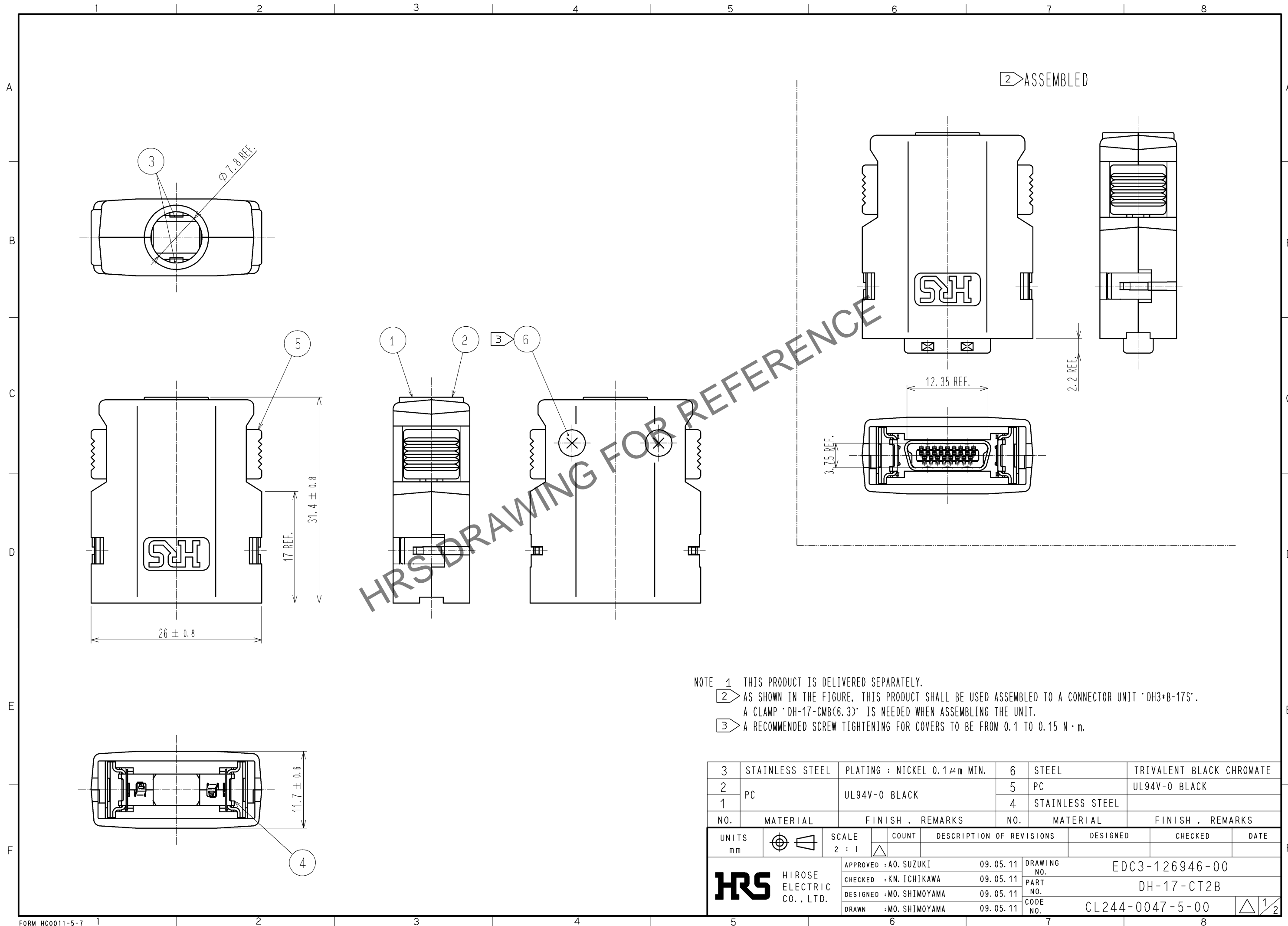


Aug.1.2024 Copyright 2024 HIROSE ELECTRIC CO., LTD. All Rights Reserved.
 In case of consideration for using Automotive equipment / device which demand high reliability, kindly contact our sales window correspondents.

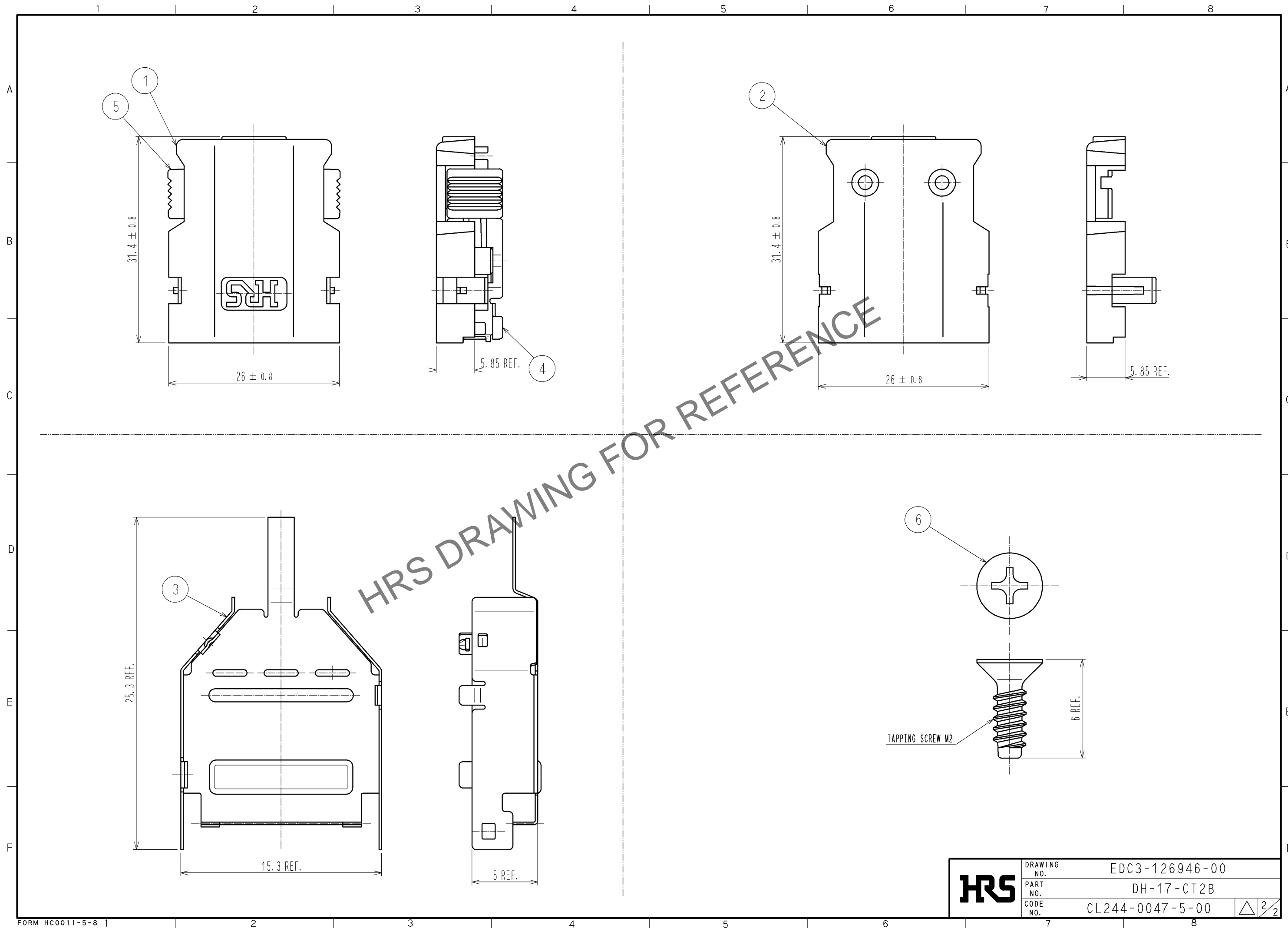


- NOTE 1 THIS PRODUCT IS DELIVERED SEPARATELY.
 2 AS SHOWN IN THE FIGURE, THIS PRODUCT SHALL BE USED ASSEMBLED TO A CONNECTOR UNIT 'DH3+B-17S'.
 A CLAMP 'DH-17-CMB(6.3)' IS NEEDED WHEN ASSEMBLING THE UNIT.
 3 A RECOMMENDED SCREW TIGHTENING FOR COVERS TO BE FROM 0.1 TO 0.15 N · m.

NO.	MATERIAL	FINISH . REMARKS	NO.	MATERIAL	FINISH . REMARKS
3	STAINLESS STEEL	PLATING : NICKEL 0.1µm MIN.	6	STEEL	TRIVALENT BLACK CHROMATE
2	PC	UL94V-0 BLACK	5	PC	UL94V-0 BLACK
1			4	STAINLESS STEEL	

UNITS	SCALE	COUNT	DESCRIPTION OF REVISIONS	DESIGNED	CHECKED	DATE
mm	2 : 1	△				
APPROVED : A0. SUZUKI			09. 05. 11	DRAWING NO. EDC3-126946-00		
CHECKED : KN. ICHIKAWA			09. 05. 11	PART NO. DH-17-CT2B		
DESIGNED : MO. SHIMOYAMA			09. 05. 11	CODE NO. CL244-0047-5-00		
DRAWN : MO. SHIMOYAMA			09. 05. 11	△ 1/2		

Aug.1.2024 Copyright 2024 HIROSE ELECTRIC CO., LTD. All Rights Reserved.
In case of consideration for using Automotive equipment / device which demand high reliability, kindly contact our sales window correspondents.



HRS	DRAWING NO.	EDC3-126946-00
	PART NO.	DH-17-CT2B
	CODE NO.	CL244-0047-5-00
		△ 2/2