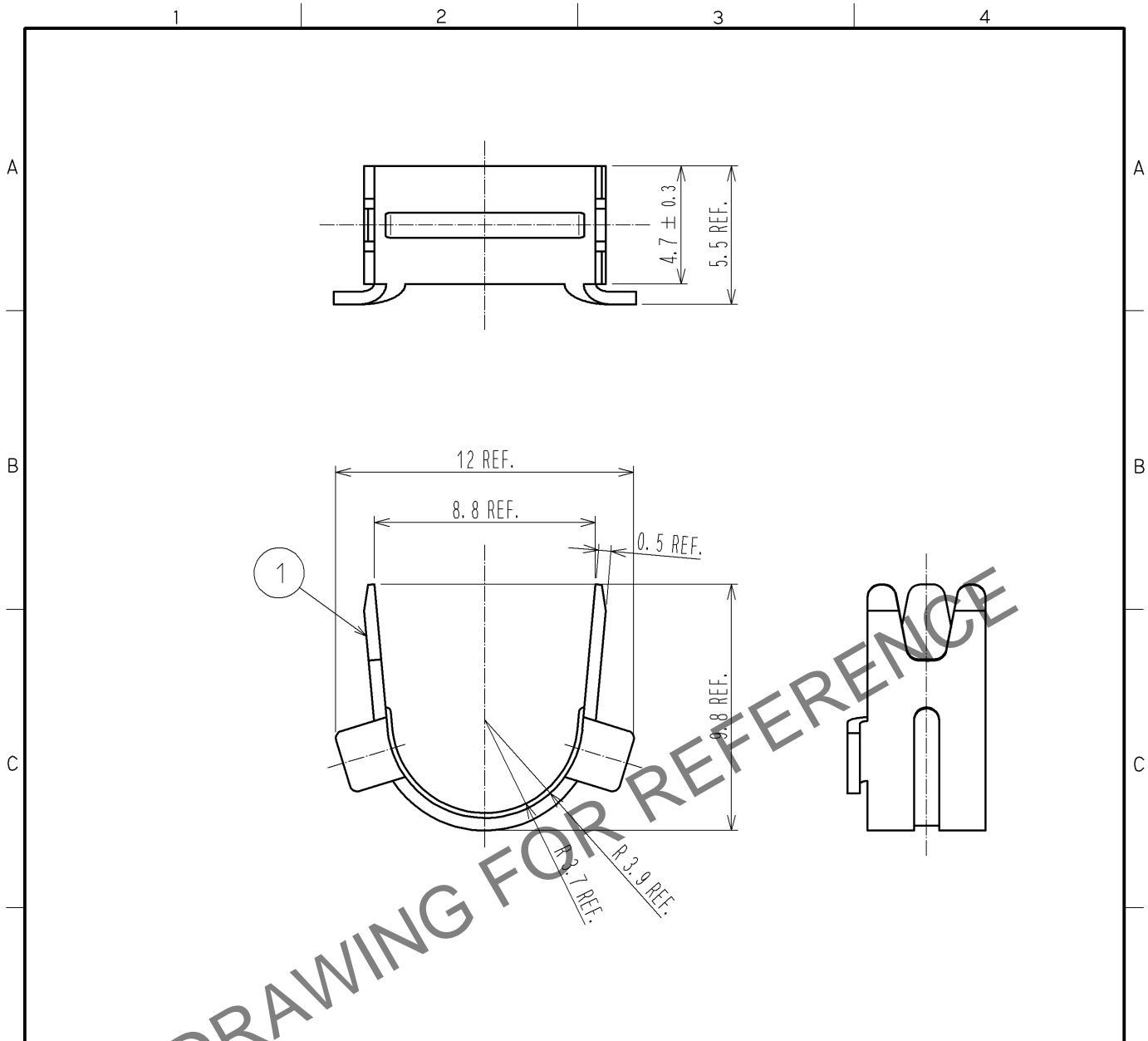


Aug.1.2024 Copyright 2024 HIROSE ELECTRIC CO., LTD. All Rights Reserved.
 In case of consideration for using Automotive equipment / device which demand high reliability, kindly contact our sales window correspondents.



HRS DRAWING FOR REFERENCE

NOTE 1. THIS PRODUCT IS A CLAMP FOR A COVER CASE 'DH-17-C**B'.
 2. THE APPLICABLE CABLE DIAMETER IS $\phi 6.6$.
 3. THIS PRODUCT IS PACKED IN A BAG.
 (QUANTITY PER BAG MAY VARY DUE TO THE AMOUNT OF EACH ORDER.)

		1		BRASS			
NO.	MATERIAL	FINISH .		REMARKS			
UNITS mm		SCALE 4 : 1		COUNT		DESCRIPTION OF REVISIONS	
						DESIGNED	
						CHECKED	
						DATE	
HIROSE ELECTRIC CO., LTD.		APPROVED : RI. TAKAYASU		11. 07. 14		DRAWING NO. EDC4-127607-00	
		CHECKED : YH. ENAMI		11. 07. 14		PART NO. DH-17-CMB(6.6)	
		DESIGNED : YH. MAMADA		11. 07. 14		CODE NO. CL244-0063-1-00	
		DRAWN : YH. MAMADA		11. 07. 14			