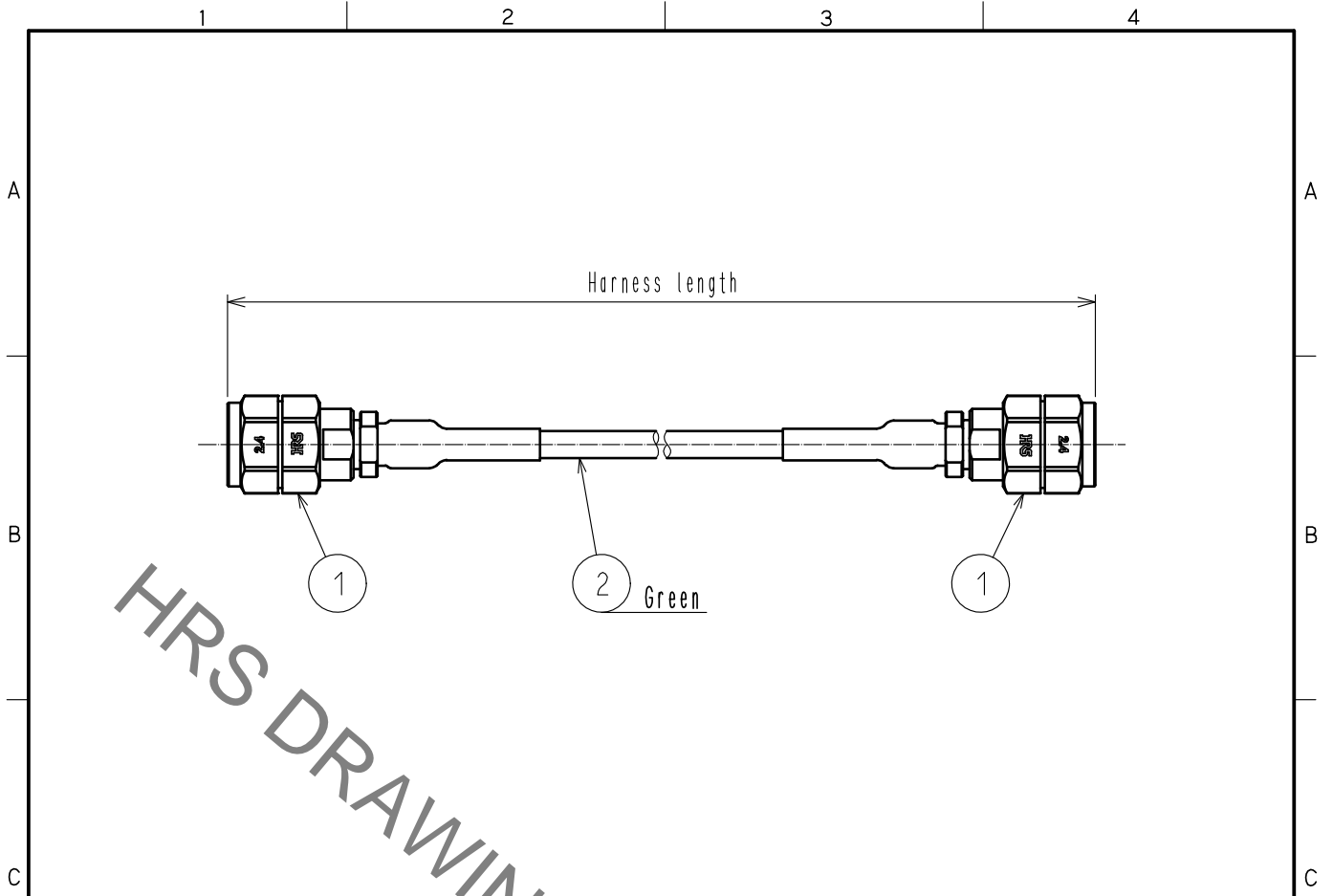


Jul.1.2022 Copyright 2022 HIROSE ELECTRIC CO., LTD. All Rights Reserved.
 In case of consideration for using Automotive equipment / device which demand high reliability, kindly contact our sales window correspondents.



Product specification list

Part No.	CL code	Harness length (Unit:inch)	Harness length (Unit:mm)
H2. 4-2P-SF085MC1-A-6IN	CL321-5132-0-01	6±0.16	152.4±4
H2. 4-2P-SF085MC1-A-12IN	CL321-5132-0-02	12±0.32	304.8±8
H2. 4-2P-SF085MC1-A-24IN	CL321-5132-0-03	24±0.48	609.6±12
H2. 4-2P-SF085MC1-A-36IN	CL321-5132-0-04	36±0.48	914.4±12
H2. 4-2P-SF085MC1-A-48IN	CL321-5132-0-05	48±0.71	1249.2±18
H2. 4-2P-SF085MC1-A-60IN	CL321-5132-0-06	60±0.87	1524.0±22

1	H2. 4-P-SF085	CL338-0022-0-00	2	MCCA1/1	NISSEI ELECTRIC CO., LTD.			
NO.	PART NO.	CODE NO.	NO.	PART NO.	MANUFACTURER			
UNITS mm		SCALE FREE	COUNT	DESCRIPTION OF REVISIONS		DESIGNED	CHECKED	DATE
HIROSE ELECTRIC CO., LTD.		APPROVED : TS. NAKAGAWA	20220419	DRAWING NO.		---		
		CHECKED : AH. MIYAZAKI	20220419	PART NO.		H2. 4-2P-SF085MC1-A-* IN		
		DESIGNED : TS. KANEKO	20220419	CODE NO.		---		
		DRAWN : TS. KANEKO	20220419			1/1		