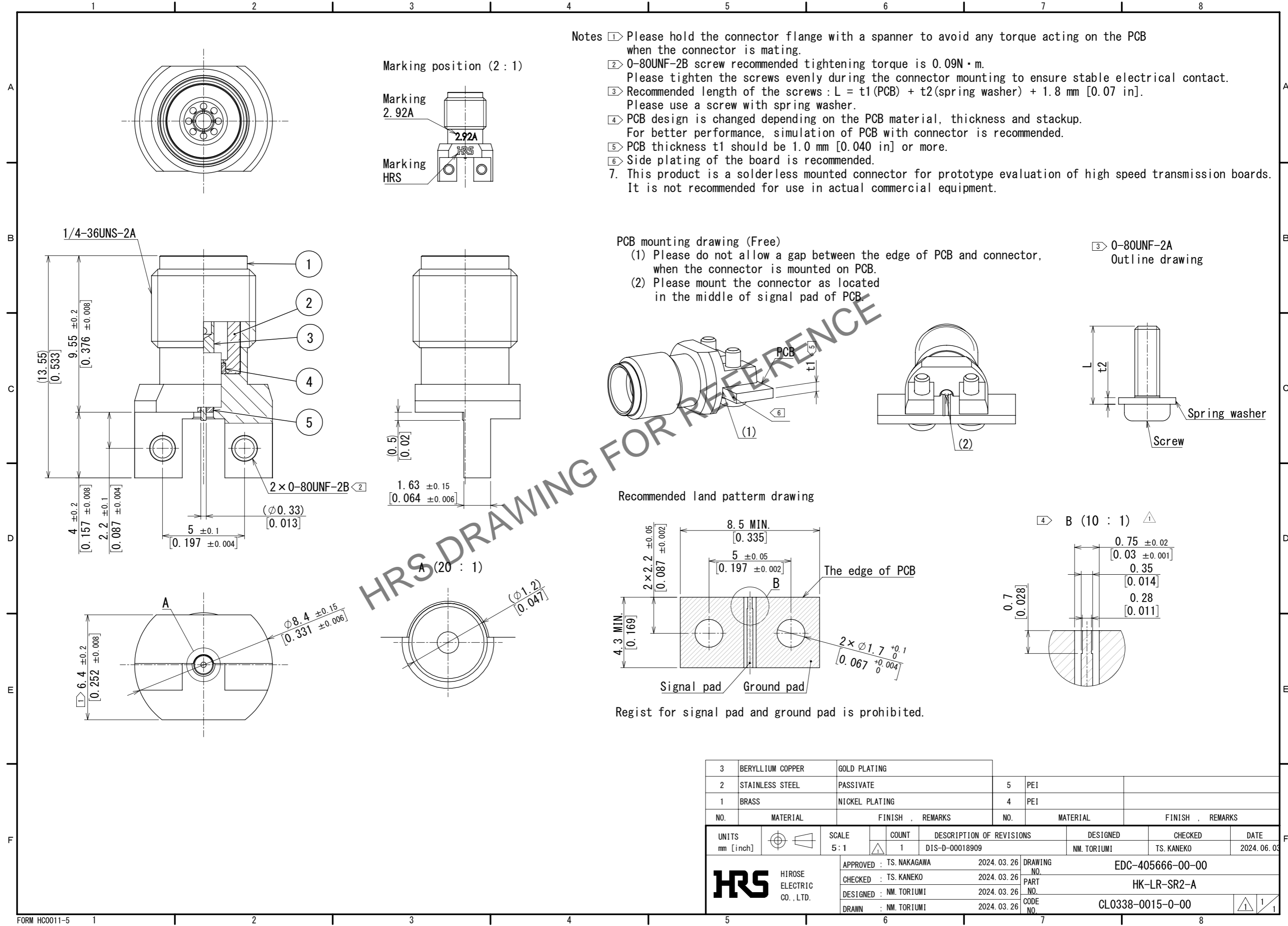
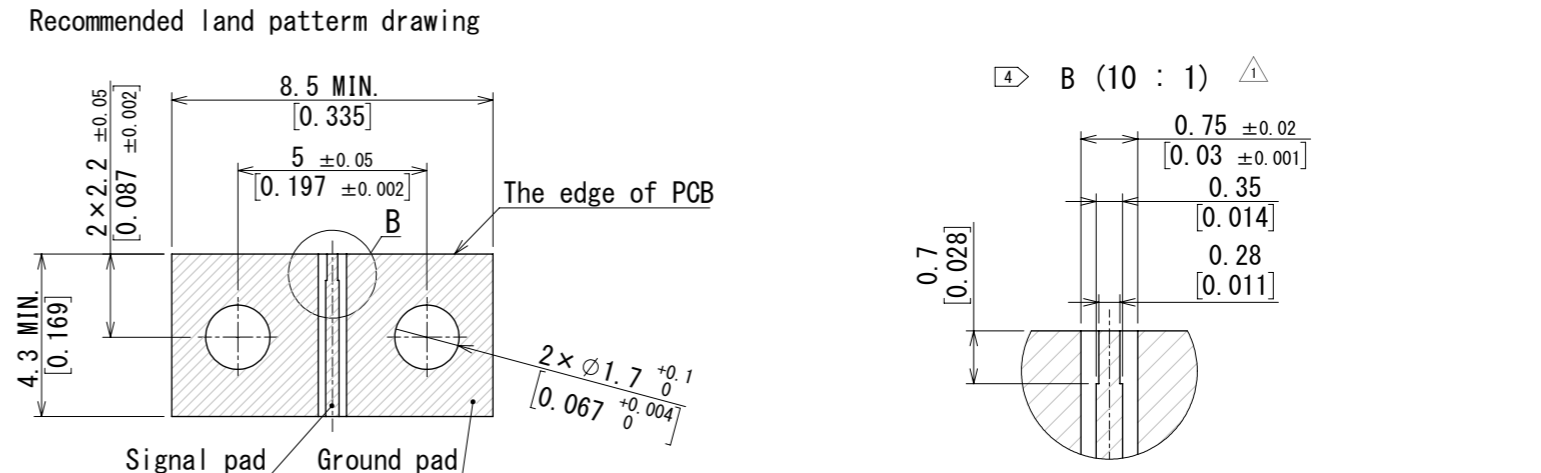
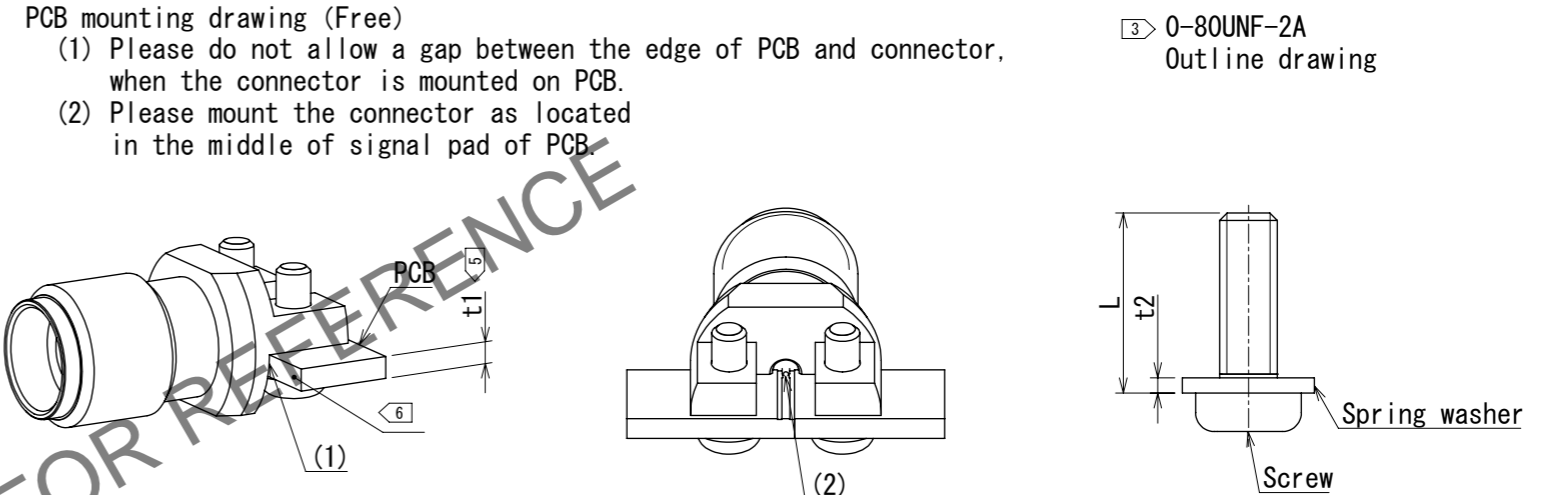


Nov.1.2024 Copyright 2024 HIROSE ELECTRIC CO., LTD. All Rights Reserved.
In case of consideration for using Automotive equipment / device which demand high reliability, kindly contact our sales window correspondents.



- Notes
- ① Please hold the connector flange with a spanner to avoid any torque acting on the PCB when the connector is mating.
 - ② 0-80UNF-2B screw recommended tightening torque is 0.09N·m.
Please tighten the screws evenly during the connector mounting to ensure stable electrical contact.
 - ③ Recommended length of the screws : $L = t1(\text{PCB}) + t2(\text{spring washer}) + 1.8 \text{ mm [0.07 in.]}$.
Please use a screw with spring washer.
 - ④ PCB design is changed depending on the PCB material, thickness and stackup.
For better performance, simulation of PCB with connector is recommended.
 - ⑤ PCB thickness $t1$ should be 1.0 mm [0.040 in] or more.
 - ⑥ Side plating of the board is recommended.
 7. This product is a solderless mounted connector for prototype evaluation of high speed transmission boards.
It is not recommended for use in actual commercial equipment.



Regist for signal pad and ground pad is prohibited.

3	BERYLLIUM COPPER	GOLD PLATING								
2	STAINLESS STEEL	PASSIVATE	5	PEI						
1	BRASS	NICKEL PLATING	4	PEI						
NO.	MATERIAL	FINISH	REMARKS	NO.	MATERIAL	FINISH	REMARKS			
UNITS	mm [inch]		SCALE	5:1	COUNT	1	DESCRIPTION OF REVISIONS	DESIGNED	CHECKED	DATE
HRS			HIROSE ELECTRIC CO., LTD.		APPROVED : TS. NAKAGAWA 2024.03.26		DRAWING NO. EDC-405666-00-00		2024.06.03	
					CHECKED : TS. KANEKO 2024.03.26		PART NO. HK-LR-SR2-A			
					DESIGNED : NM. TORIUMI 2024.03.26		CODE NO. CL0338-0015-0-00			
					DRAWN : NM. TORIUMI 2024.03.26					