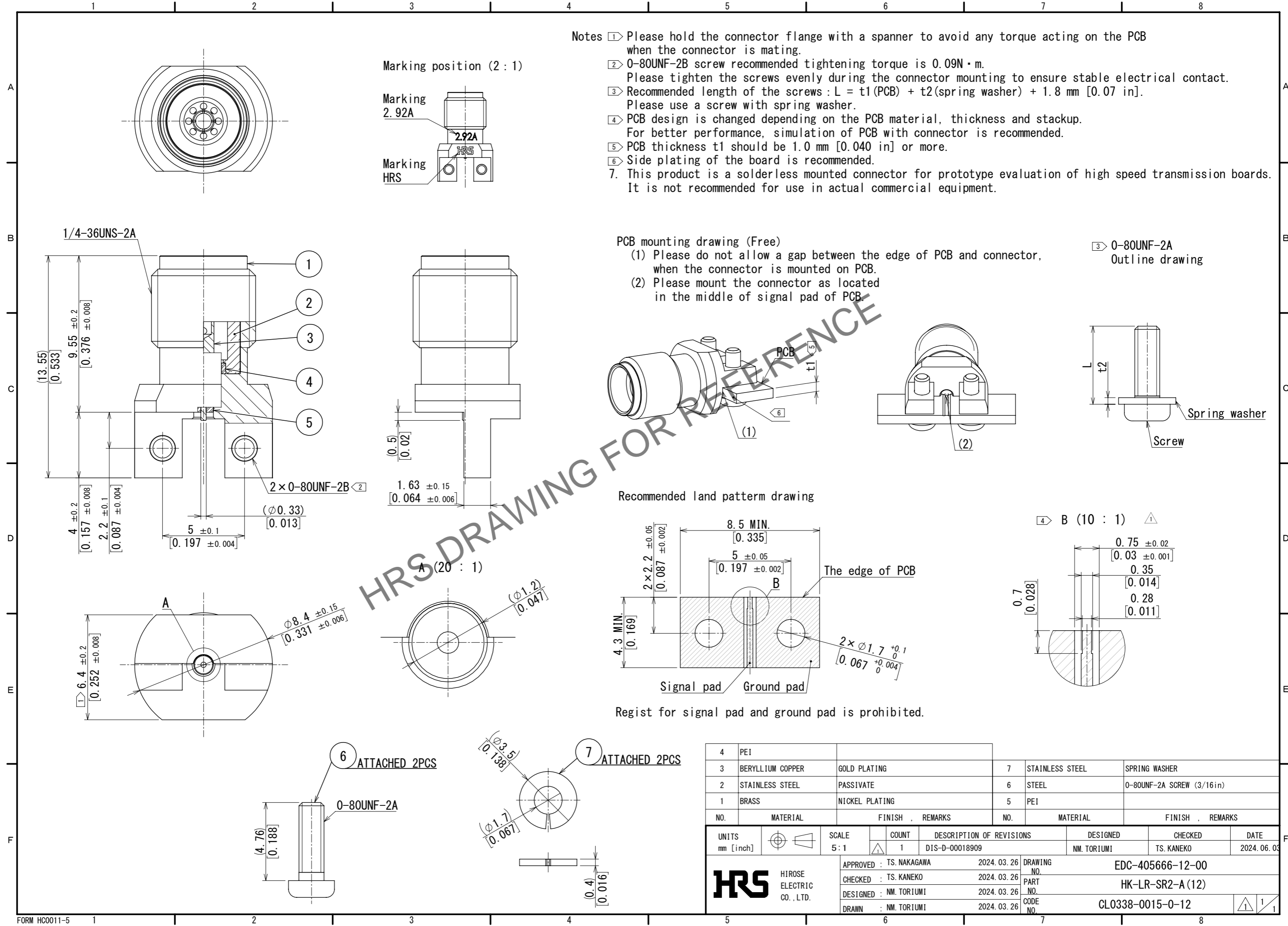


Nov.1.2024 Copyright 2024 HIROSE ELECTRIC CO., LTD. All Rights Reserved.
In case of consideration for using Automotive equipment / device which demand high reliability, kindly contact our sales window correspondents.



NO.	MATERIAL	FINISH	REMARKS	NO.	MATERIAL	FINISH	REMARKS
4	PEI			7	STAINLESS STEEL		SPRING WASHER
3	BERYLLIUM COPPER	GOLD PLATING		6	STEEL		0-80UNF-2A SCREW (3/16in)
2	STAINLESS STEEL	PASSIVATE		5	PEI		
1	BRASS	NICKEL PLATING					

UNITS	SCALE	COUNT	DESCRIPTION OF REVISIONS	DESIGNED	CHECKED	DATE
mm [inch]	5:1	1	DIS-D-00018909	NM. TORIUMI	TS. KANEKO	2024.06.03

APPROVED	DATE	DRAWING NO.
TS. NAKAGAWA	2024.03.26	EDC-405666-12-00
TS. KANEKO	2024.03.26	PART NO. HK-LR-SR2-A (12)
NM. TORIUMI	2024.03.26	CODE NO. CL0338-0015-0-12
NM. TORIUMI	2024.03.26	