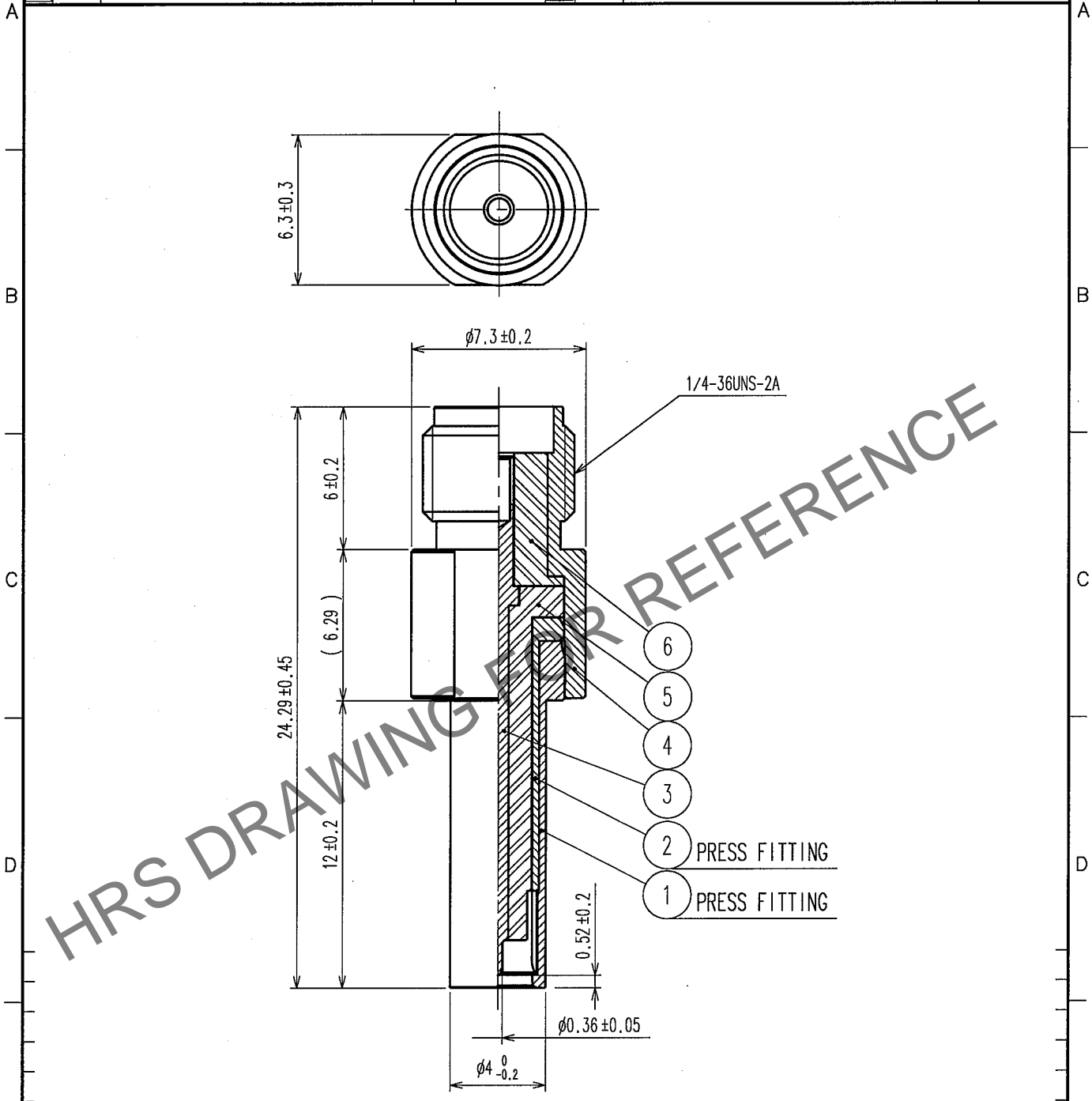


Mar. 1. 2026 Copyright 2026 HIROSE ELECTRIC CO., LTD. All Rights Reserved.  
In case of consideration for using Automotive equipment / device which demand high reliability, kindly contact our sales window correspondents.

1	2			3			4						
COUNT	DESCRIPTION OF REVISIONS			BY	CHKD	DATE	COUNT	DESCRIPTION OF REVISIONS			BY	CHKD	DATE
△						..	△						. .
△							△						. .
△							△						. .



NOTE1. FOR THE USE OF THIS PRODUCT, PUSH IT ON MS-162

3	BERYLLIUM COPPER	GOLD	6	PTFE	
2	PHOSPHOR BRONZE	NICKEL	5	PTFE	
1	PHOSPHOR BRONZE	NICKEL	4	STAINLESS STEEL	PASSIVATE
NO.	MATERIAL	FINISH, REMARKS	NO.	MATERIAL	FINISH, REMARKS

CODE NO. (OLD)	DRAWN	DESIGNED	CHECKED	APPROVED	RELEASED
	<i>Y. Matsuo</i> '05. 8. 23	<i>Y. Matsuo</i> '05. 8. 23	<i>T. Gaki</i> '05. 8. 24	<i>K. Kawamura</i> '05. 8. 24	

In case of consideration for using Automotive equipment / device which demand high reliability, kindly contact our sales window correspondents.

0  
RFD

 SACLE 4 : 1 UNITS mm	DRAWING NO. EDC4-180486	PART NO. MS-162-HRMJ-1
	 HIROSE ELECTRIC CO., LTD.	CODE NO. CL358-0210-5

RFD