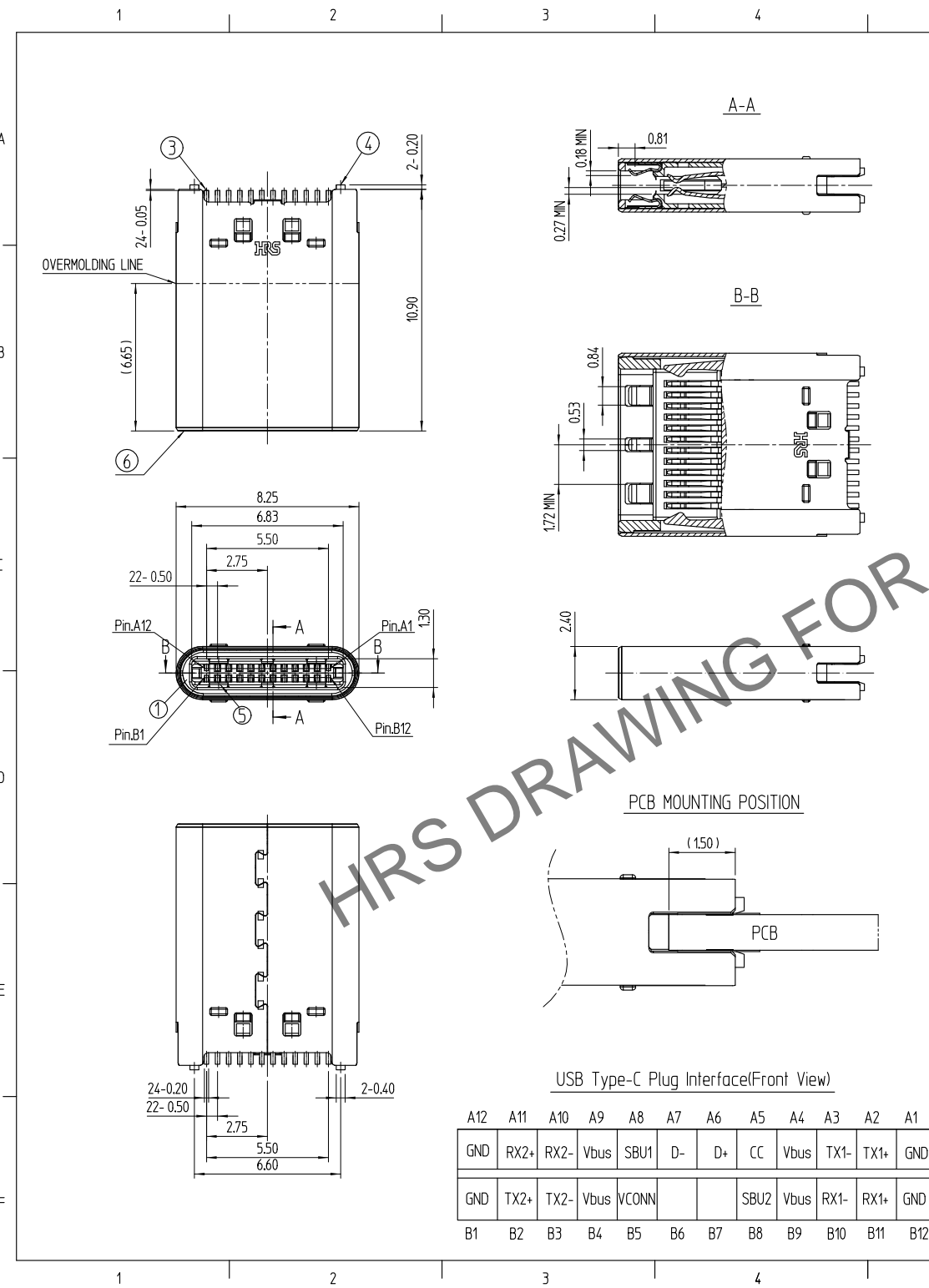


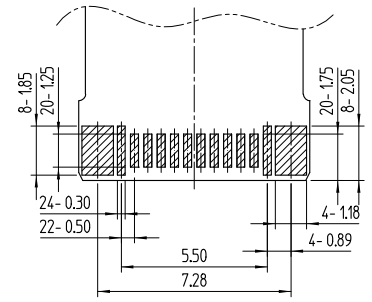
Jan.1.2025 Copyright 2025 HIROSE ELECTRIC CO., LTD. All Rights Reserved.
 use of consideration for using Automotive equipment / device which demand high reliability, kindly contact our sales window correspond



訂正事項		擔當 檢圖			年月日		訂正事項		擔當 檢圖			年月日	
△數	DESCRIPTION OF REVISIONS	B	Y	CHKD	DATE	△數	DESCRIPTION OF REVISIONS	B	Y	CHKD	DATE	△數	DESCRIPTION OF REVISIONS
△	- Revised	PJS	LHJ		16.04.15	△	- Revised	PJS	LHJ		16.07.25	△	- Revised
△	- Revised	PJS	LHJ		16.05.12	△	- Revised	PJS	KHJ		16.11.11	△	- Revised
△	- Revised	PJS	LHJ		16.06.16	△	- Revised					△	- Revised

ISO-VIEW(N/S)

RECOMMENDED PCB LAY OUT
 (General Tolerance : ±0.05)



(NOTE) 1 GENERAL TOLERANCE : ±0.2
 2 PACKING : 150 UNIT / TRAY

3	COPPER ALLOY	Gold Plating	6	STAINLESS STEEL	Nickel		
2	LCP	UL94-V0, COLOR BLACK	5	STAINLESS STEEL	Nickel		
1	PA	UL94-V0, COLOR BLACK	4	STAINLESS STEEL	Nickel		
NO.	MATERIAL	FINISH,REMARKS	NO.	MATERIAL	FINISH,REMARKS		
REMARK			DRAWN	DESIGNED	CHECKED	APPROVED	RELEASED
			J.S.PARK 16.04.15	J.S.PARK 16.04.15	H.J.LEE 16.04.15	T.S.KANG 16.04.15	DEPT 17.09.04 ENG
DRAWING NO. ADC3-631979				PART NO. CX60-24S-UNIT			
SCALE 5:1				CODE NO. CL6240-0001-9			
UNITS mm				HIROSE KOREA CO.,LTD.			

1/1