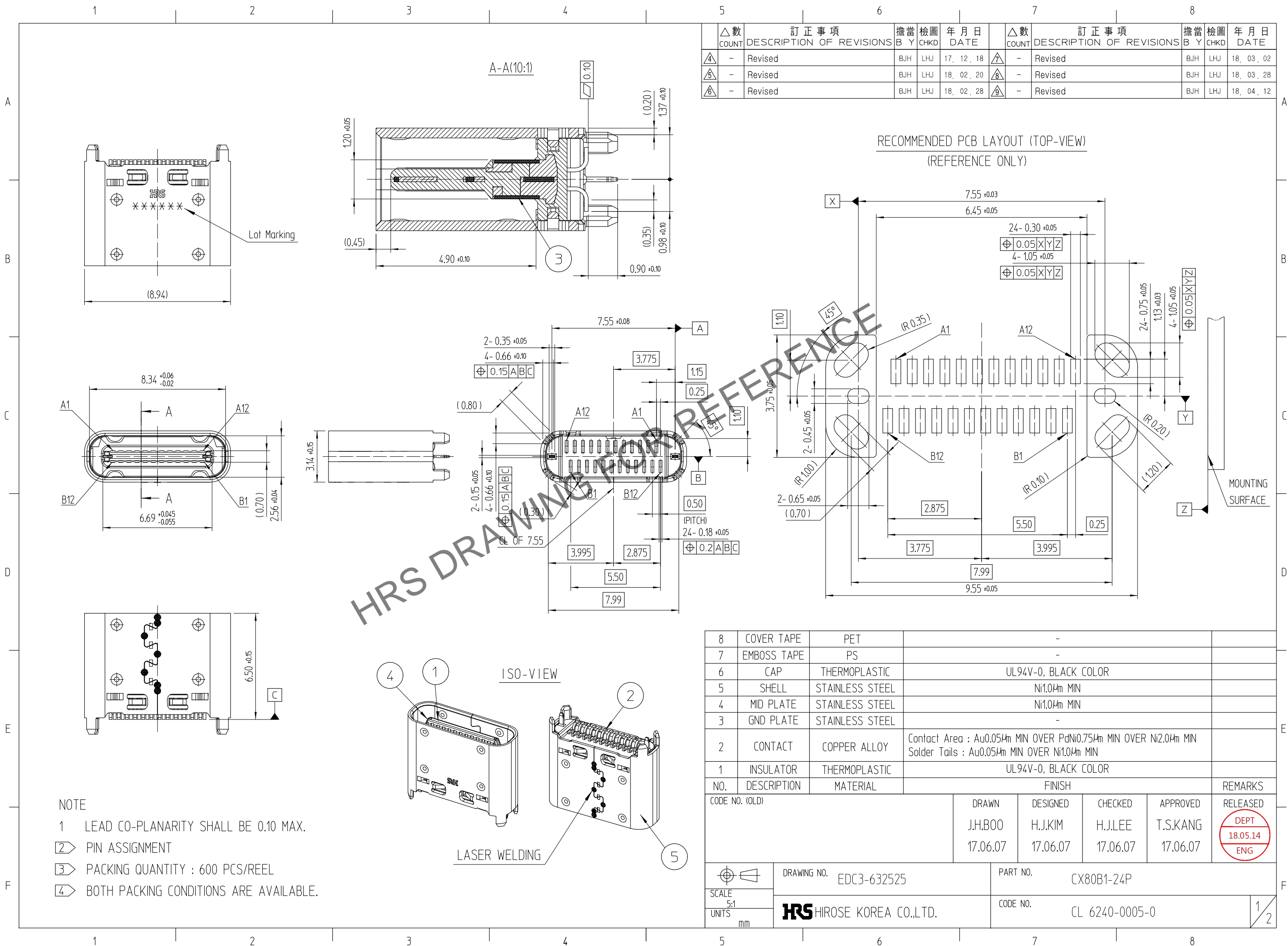


Feb.1.2025 Copyright 2025 HIROSE ELECTRIC CO., LTD. All Rights Reserved.  
 In case of consideration for using Automotive equipment / device which demand high reliability, kindly contact our sales window correspondents.



△數 COUNT	訂正事項 DESCRIPTION OF REVISIONS	擔當 B	檢圖 CHKD	年月日 DATE	△數 COUNT	訂正事項 DESCRIPTION OF REVISIONS	擔當 B	檢圖 CHKD	年月日 DATE
4	- Revised	BJH	LHJ	17. 12. 18	7	- Revised	BJH	LHJ	18. 03. 02
5	- Revised	BJH	LHJ	18. 02. 20	8	- Revised	BJH	LHJ	18. 03. 28
6	- Revised	BJH	LHJ	18. 02. 28	9	- Revised	BJH	LHJ	18. 04. 12

RECOMMENDED PCB LAYOUT (TOP-VIEW)  
(REFERENCE ONLY)

NO.	DESCRIPTION	MATERIAL	FINISH	REMARKS
8	COVER TAPE	PET	-	
7	EMBOSS TAPE	PS	-	
6	CAP	THERMOPLASTIC	UL94V-0, BLACK COLOR	
5	SHELL	STAINLESS STEEL	Ni1.0μm MIN	
4	MID PLATE	STAINLESS STEEL	Ni1.0μm MIN	
3	GND PLATE	STAINLESS STEEL	-	
2	CONTACT	COPPER ALLOY	Contact Area : Au0.05μm MIN OVER PdNi0.75μm MIN OVER Ni2.0μm MIN Solder Tails : Au0.05μm MIN OVER Ni1.0μm MIN	
1	INSULATOR	THERMOPLASTIC	UL94V-0, BLACK COLOR	

CODE NO. (OLD)	DRAWN	DESIGNED	CHECKED	APPROVED	RELEASED
	J.H.BOO 17.06.07	H.J.KIM 17.06.07	H.J.LEE 17.06.07	T.S.KANG 17.06.07	DEPT 18.05.14 ENG

SCALE	DRAWING NO.	PART NO.	CODE NO.
5:1 UNITS mm	EDC3-632525	CX80B1-24P	CL 6240-0005-0

- NOTE
- 1 LEAD CO-PLANARITY SHALL BE 0.10 MAX.
  - 2 PIN ASSIGNMENT
  - 3 PACKING QUANTITY : 600 PCS/REEL
  - 4 BOTH PACKING CONDITIONS ARE AVAILABLE.

