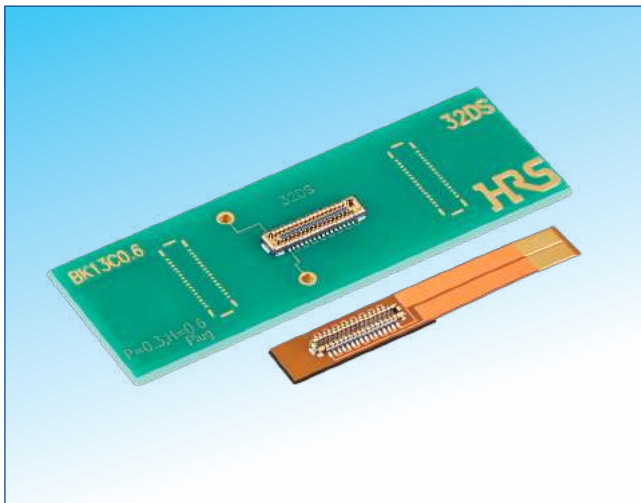
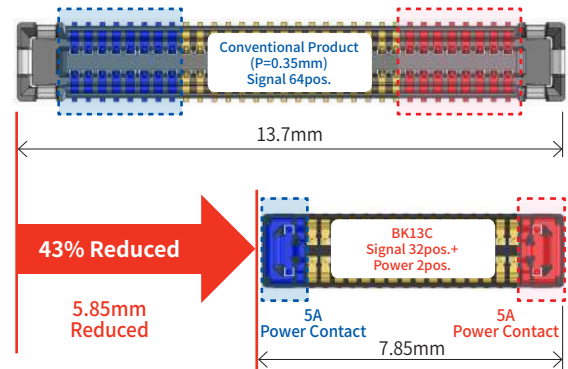


BK13C Series



High Current (5A)



Power lines typically diverted to multiple signal contacts are concentrated into 2 power contacts (Up to 5A/line)

Fig.1

Features

1. High Power Supply Capacity and Space-saving Design

Equipped with two power contacts capable of handling up to 5A, reducing the number of signal contacts to save mounting space. (Fig.1)

2. Robust Design

Fully armored guides prevent housing damage due to incorrect mating. (Fig.2)

3. Enhanced PCB Peeling Strength

Both the header and receptacle have 3 soldering areas at each power contact for greater PCB peeling strength. (Fig.3)

4. High Contact Reliability

Both power and signal contacts have a two-point contact design, ensuring high contact reliability.

5. Superior Mating

Wide self-alignment range with metal guides offers enhanced mating operation. (0.3mm in pitch direction, 0.22mm in width direction)

Additionally, a clear tactile click generated by the unique locking contact design secures complete mating.

6. Halogen-Free

All materials and substances used to produce this product comply with Halogen-free standards.

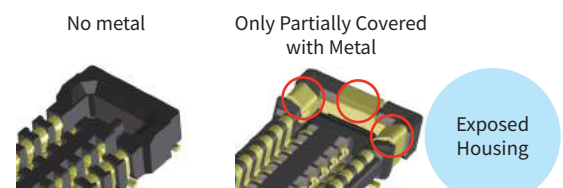
*As defined by IEC 61249-2-21

Br : 900ppm max., Cl : 900ppm max.,

Br+Cl : 1,500ppm max.

Full Armored Design

<Conventional Products>



<BK13C>



Fig.2

Enhanced PCB Peeling Strength

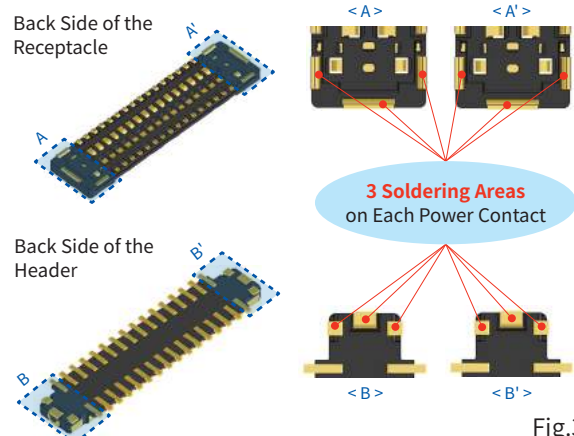


Fig.3

Product Specifications

Ratings	Rated Current : Signal Contact : 0.3A (Note 1) Power Contact : 5A	Operating Temperature : -55 to +85°C (Note 2)	Storage Temperature : -10 to +60°C (Note 3)
	Rated Voltage : 30V AC/DC	Operating Humidity Range : 20 to 80% (Note 4)	Storage Humidity Range : 40 to 70% (Note 3, 4)

Items	Specifications	Conditions
1. Contact Resistance	Signal Contact : 90mΩ Max. Power Contact : 30mΩ Max.	Measured at 20mV AC, 1 kHz, 1mA
2. Insulation Resistance	50MΩ Min.	Measured at 100V DC
3. Withstanding Voltage	No flashover or insulation breakdown	100V AC for 1 min.
4. Mating Durability	Contact Resistance : Signal Contact : 90mΩ Max. Power Contact : 30mΩ Max.	10 mating cycles
5. Vibration	No electrical discontinuity of 1μs or more	Frequency : 10 to 55Hz, single amplitude 0.75mm in 3 axis directions for 5 min., 10 cycles
6. Shock Resistance	No electrical discontinuity of 1μs or more	Acceleration : 490m/s ² , duration of pulse : 11ms at 3 times for 3 directions.
7. Humidity (Moisture Resistance)	Contact Resistance : Signal Contact : 90mΩ Max. Power Contact : 30mΩ Max. Insulation Resistance : 50MΩ Min.	96 hours at temperature of 40±2°C and humidity range from 90 to 95%
8. Rapid Change of Temperature	Contact Resistance : Signal Contact : 90mΩ Max. Power Contact : 30mΩ Max. Insulation Resistance : 50MΩ Min.	-55°C for 30 min. → +85°C for 30 min. for 5 Cycles. (Stabilizing Time In Chamber : Within 2 to 3 min.)
9. Sulphur Dioxide	Contact Resistance : Signal Contact : 90mΩ Max. Power Contact : 30mΩ Max. No damage, crack or looseness of parts	Exposed in 25 PPM for 96h at 25°C, 75±5%RH. (Test standard : JIS C 60068)

Note 1 : The total current capacity for connectors with 40 or more signal contacts is 12A for all contacts.(Signal contact only)

Note 2 : Includes temperature rise caused by current flow.

Note 3 : The term "storage" refers to long-term-storage of unused items before they are mounted on the PCB.

Operating temperature / humidity range applies to the product in a temporary storage state such as non-powered after mounting on the PCB, during transportation, etc.

Note 4 : Range identified without condensation.

Material / Finish

Product	Part	Material	Finish	Remarks
Header, Receptacle	Insulator	LCP	Black	UL94V-0
	Signal Contact	Copper Alloy	Gold Plated over Nickel Underplating	———
	Power Contact	Copper Alloy	Gold Plated over Nickel Underplating	———

Product Number Structure

Refer to the chart below when determining the product specifications from the product number.

Please select from the product numbers listed in this catalogue when placing orders.

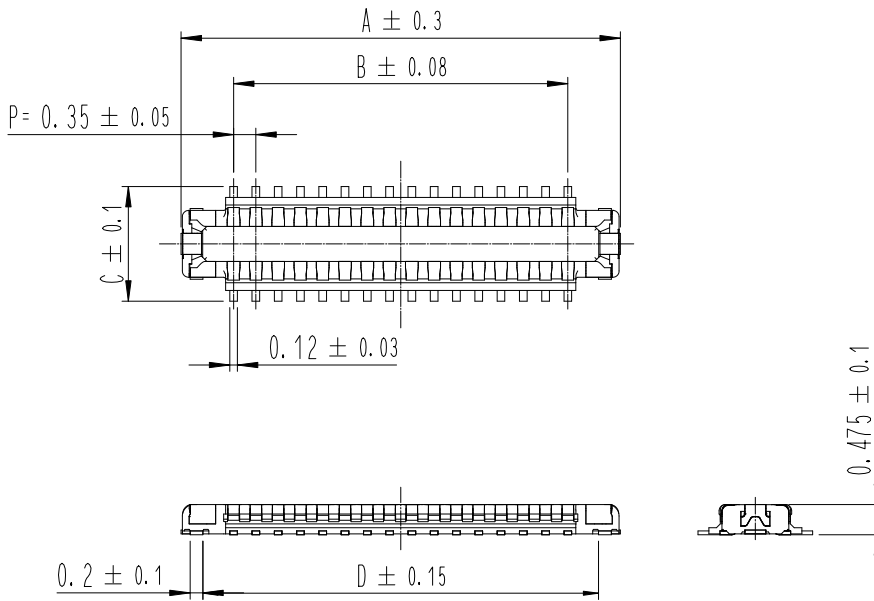
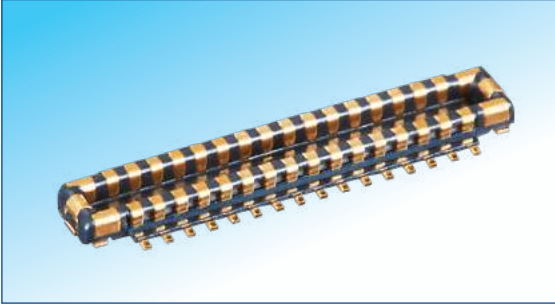
● Header / Receptacle

BK 13C 06 - ## DP / 2 - 0.35 V (8##)

① ② ③ ④ ⑤ ⑥ ⑦ ⑧ ⑨

① Series Name : BK	⑥ Number of Power Contacts : 2pos.
② Series No. : 13C	⑦ Contact Pitch : 0.35mm
③ Mated Height : 0.6mm	⑧ Terminal Type V : SMT Vertical Mounting Type
④ Number of Signal Contacts : 10, 32, 40, 50, 60pos.	⑨ Specifications (800) : Standard, Embossed tape packaging (20,000pcs/reel) (895) : Embossed tape packaging (1,000pcs/reel)
⑤ Connector Type DP : Double-row Header DS : Double-row Receptacle	

Header

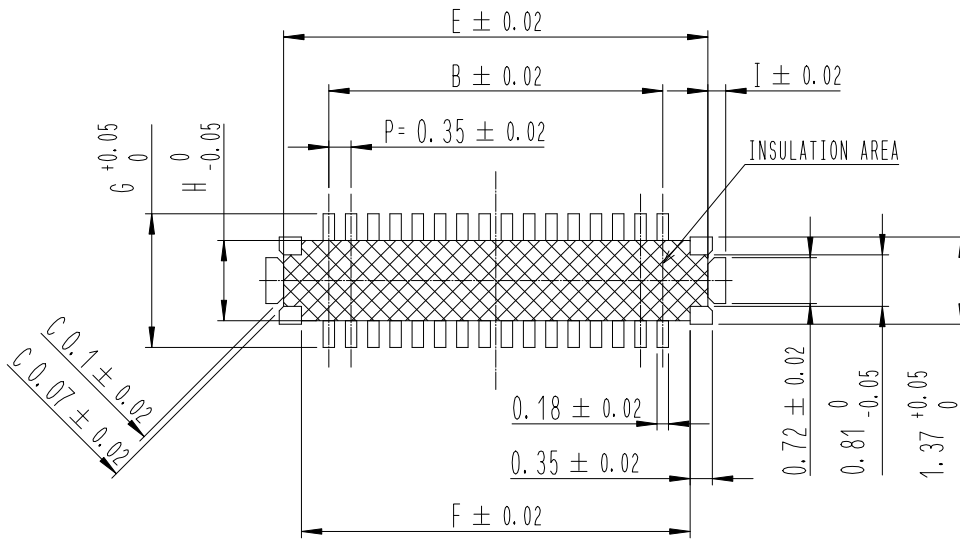


Unit : mm

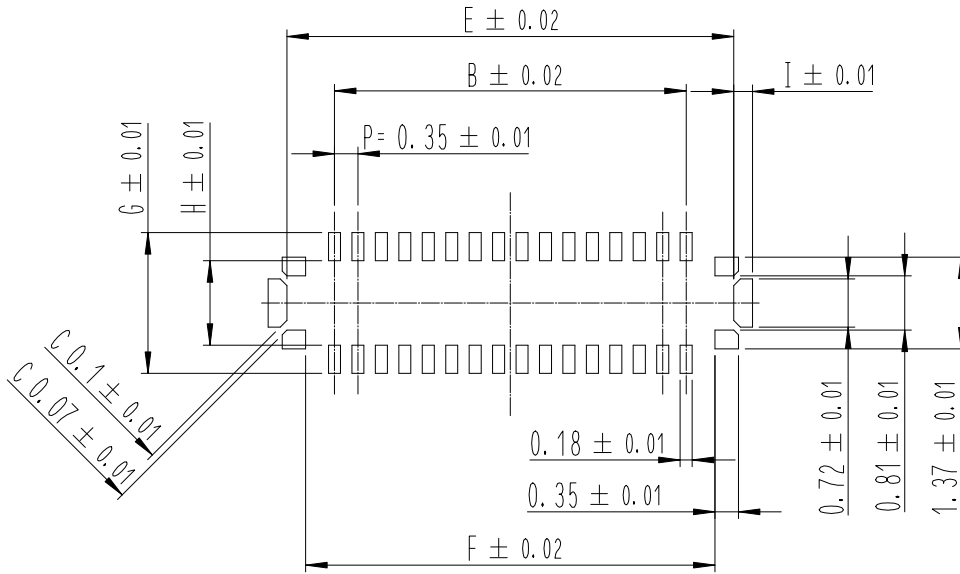
Part No.	HRS No.	No. of Pos.	A	B	C	D	Purchase Unit	
							## : 00	## : 95
BK13C06-10DP/2-0.35V(8##)	CL0480-0719-0-##	10	3.05	1.40	1.6	2.365	20,000pcs per reel	1,000pcs per reel
BK13C06-32DP/2-0.35V(8##)	CL0480-0663-0-##	32	6.90	5.25	1.8	6.215		
BK13C06-40DP/2-0.35V(8##)	CL0480-0665-0-##	40	8.30	6.65	1.8	7.615		
BK13C06-50DP/2-0.35V(8##)	CL0480-0725-0-##	50	10.05	8.40	1.8	9.365		
BK13C06-60DP/2-0.35V(8##)	CL0480-0727-0-##	60	11.80	10.15	1.8	11.115		

Note : This connector has no polarity.

◆ Recommended PCB Layout



◆ Recommended Metal Mask Dimensions (Mask Thickness : 0.08mm)

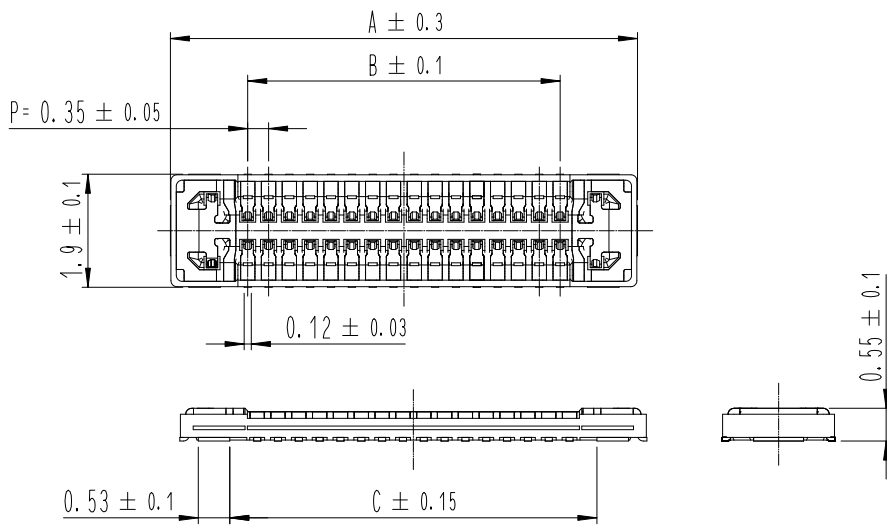
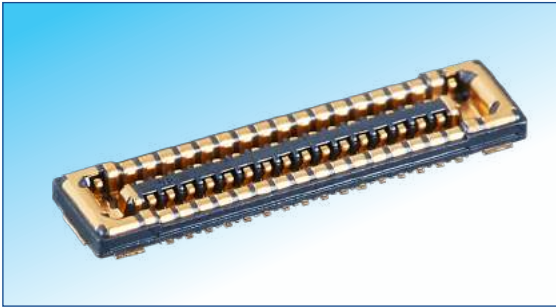


Unit : mm

Part No.	HRS No.	No. of Pos.	B	E	F	G	H	I
BK13C06-10DP/2-0.35V(8##)	CL0480-0719-0-##	10	1.40	2.82	2.26	1.8	1.06	0.23
BK13C06-32DP/2-0.35V(8##)	CL0480-0663-0-##	32	5.25	6.67	6.11	2.1	1.26	0.28
BK13C06-40DP/2-0.35V(8##)	CL0480-0665-0-##	40	6.65	8.07	7.51	2.1	1.26	0.28
BK13C06-50DP/2-0.35V(8##)	CL0480-0725-0-##	50	8.40	9.82	9.26	2.1	1.26	0.28
BK13C06-60DP/2-0.35V(8##)	CL0480-0727-0-##	60	10.15	11.57	11.01	2.1	1.26	0.28

Note 1 : This connector has no polarity.

■ Receptacle



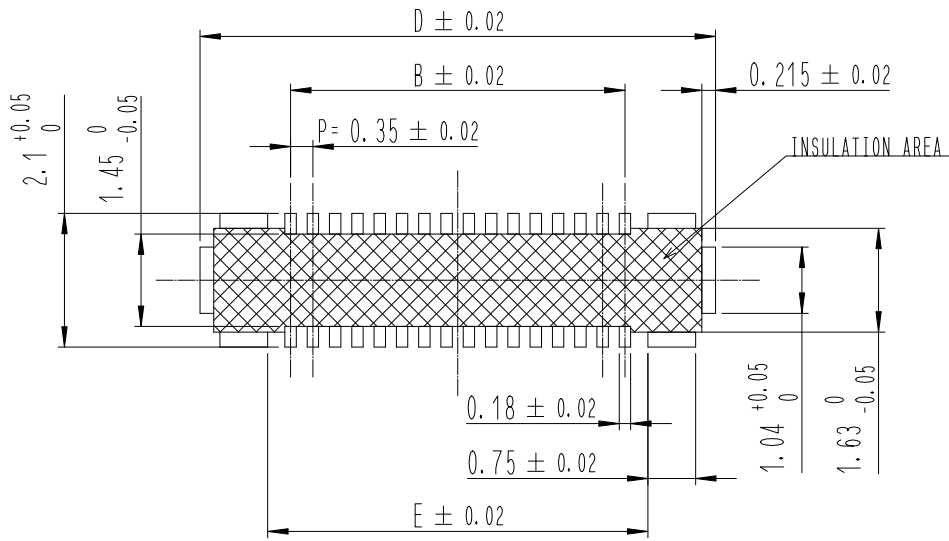
Unit : mm

Part No.	HRS No.	No. of Pos.	A	B	C	Purchase Unit	
						## : 00	## : 95
BK13C06-10DS/2-0.35V(8##) (Note1)	CL0480-0720-0-##	10	4.00	1.40	2.32	20,000pcs per reel	1,000pcs per reel
BK13C06-32DS/2-0.35V(8##)	CL0480-0664-0-##	32	7.85	5.25	6.17		
BK13C06-40DS/2-0.35V(8##)	CL0480-0666-0-##	40	9.25	6.65	7.57		
BK13C06-50DS/2-0.35V(8##)	CL0480-0726-0-##	50	11.00	8.40	9.32		
BK13C06-60DS/2-0.35V(8##)	CL0480-0728-0-##	60	12.75	10.15	11.07		

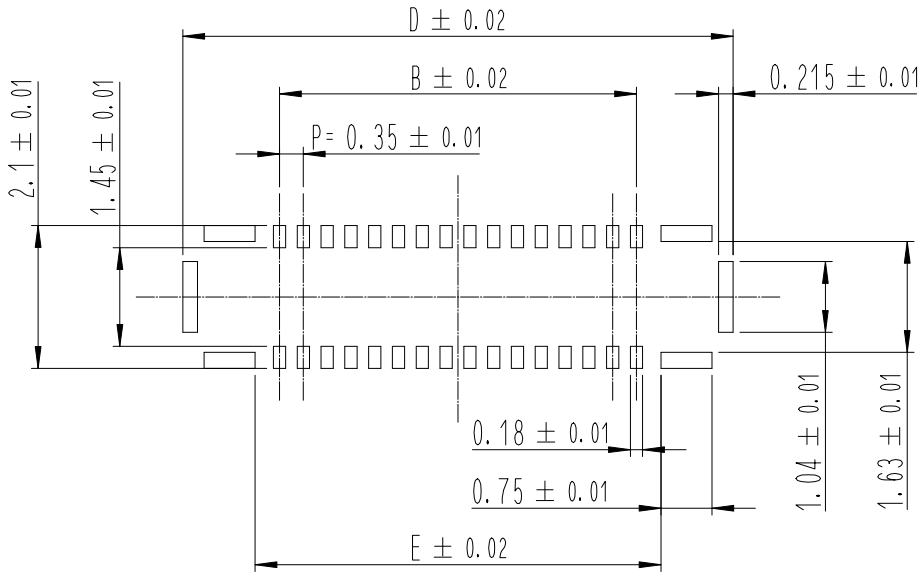
Note 1 : BK13C06-10DS/2-0.35V(8##) has a metal reinforcement in the center of the product.

Note 2 : This connector has no polarity.

◆ Recommended PCB Layout



◆ Recommended Metal Mask Dimensions (Mask Thickness : 0.08mm)



Unit : mm

Part No.	HRS No.	No. of Pos.	B	D	E
BK13C06-10DS/2-0.35V(8##) (Note 1)	CL0480-0720-0-##	10	1.40	4.245	2.12
BK13C06-32DS/2-0.35V(8##)	CL0480-0664-0-##	32	5.25	8.095	5.97
BK13C06-40DS/2-0.35V(8##)	CL0480-0666-0-##	40	6.65	9.495	7.37
BK13C06-50DS/2-0.35V(8##)	CL0480-0726-0-##	50	8.40	11.245	9.12
BK13C06-60DS/2-0.35V(8##)	CL0480-0728-0-##	60	10.15	12.995	10.87

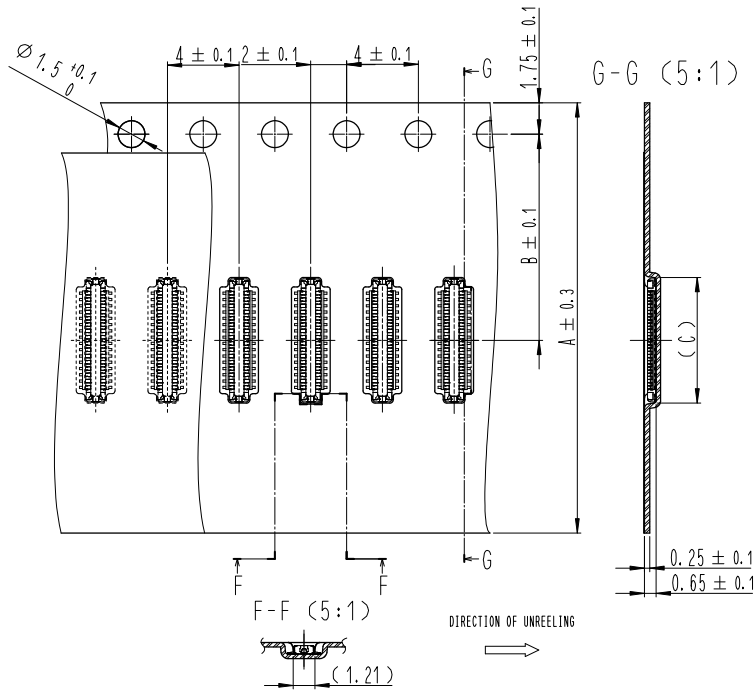
Note 1 : BK13C06-10DS/2-0.35V(8##) has a metal reinforcement in the center of the product.

Note 2 : This connector has no polarity.

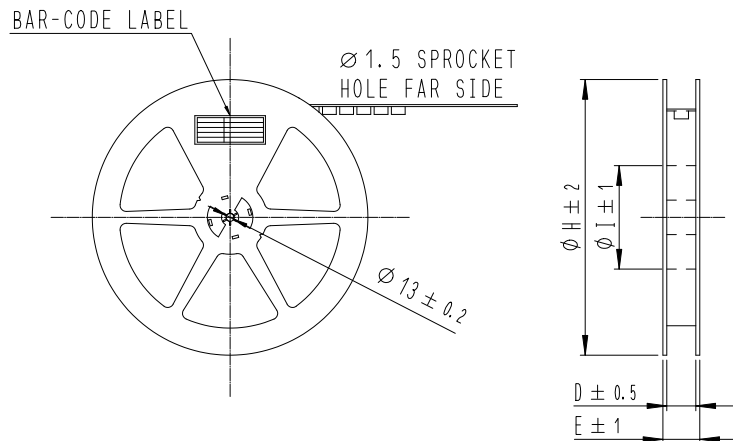
◆ Embossed Tape Dimensions

Header

● Embossed Carrier Tape Dimensions



● Reel Dimensions



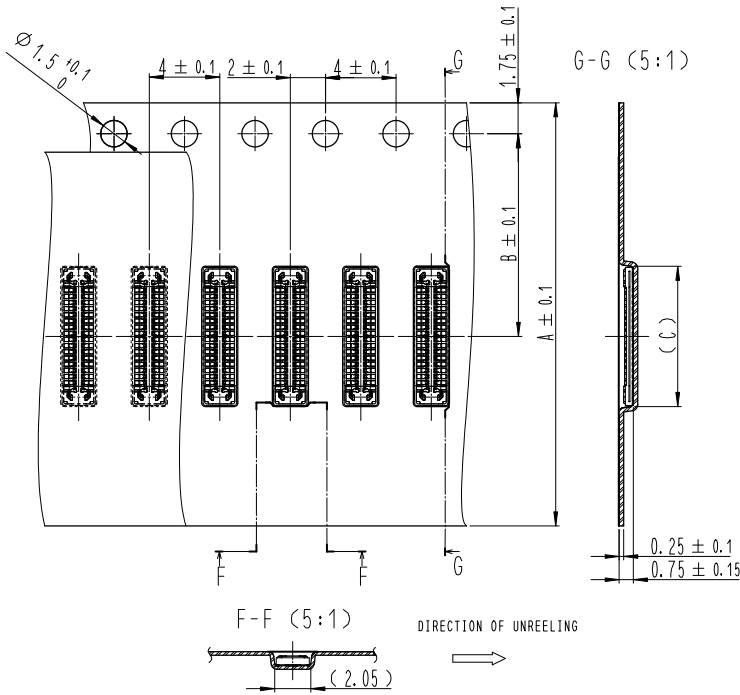
Unit : mm

Part No.	HRS No.	No. of Pos.	A	B	C	D	E	H	I
BK13C06-10DP/2-0.35V(800)	CL0480-0719-0-00	10	16.0	7.5	3.16	17.5	21.5	380	80
BK13C06-32DP/2-0.35V(800)	CL0480-0663-0-00	32	24.0	11.5	7.01	25.5	29.5	380	80
BK13C06-40DP/2-0.35V(800)	CL0480-0665-0-00	40	24.0	11.5	8.41	25.5	29.5	380	80
BK13C06-50DP/2-0.35V(800)	CL0480-0725-0-00	50	24.0	11.5	10.16	25.5	29.5	380	80
BK13C06-60DP/2-0.35V(800)	CL0480-0727-0-00	60	24.0	11.5	11.91	25.5	29.5	380	80

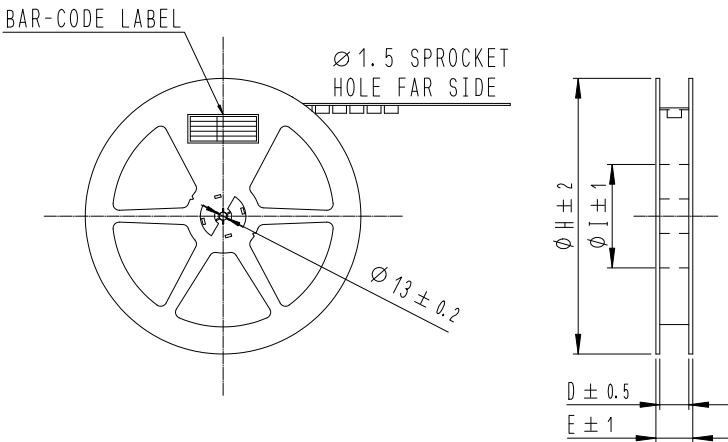
Part No.	HRS No.	No. of Pos.	A	B	C	D	E	H	I
BK13C06-10DP/2-0.35V(895)	CL0480-0719-0-95	10	16.0	7.5	3.16	17.5	21.5	180	60
BK13C06-32DP/2-0.35V(895)	CL0480-0663-0-95	32	24.0	11.5	7.01	25.5	29.5	180	60
BK13C06-40DP/2-0.35V(895)	CL0480-0665-0-95	40	24.0	11.5	8.41	25.5	29.5	180	60
BK13C06-50DP/2-0.35V(895)	CL0480-0725-0-95	50	24.0	11.5	10.16	25.5	29.5	180	60
BK13C06-60DP/2-0.35V(895)	CL0480-0727-0-95	60	24.0	11.5	11.91	25.5	29.5	180	60

Receptacle

● Embossed Carrier Tape Dimensions



● Reel Dimensions

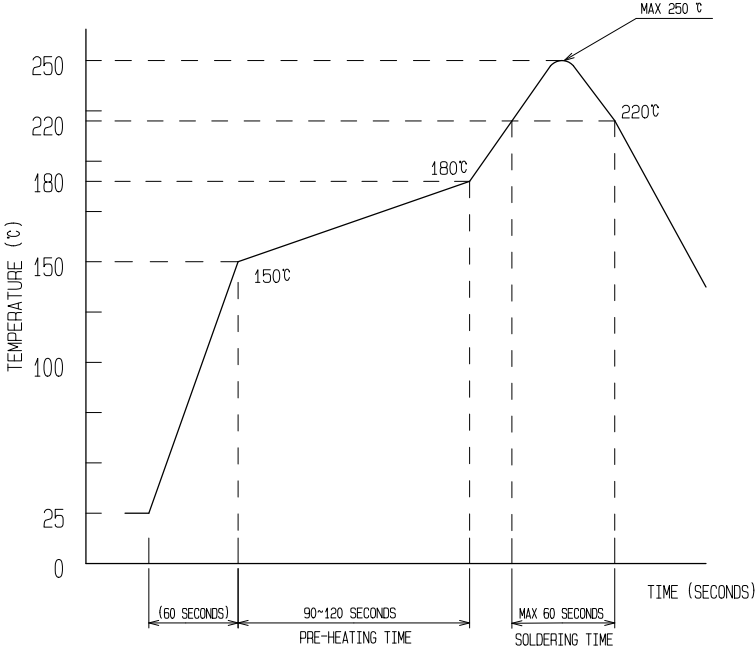


Unit : mm

Part No.	HRS No.	No. of Pos.	A	B	C	D	E	H	I
BK13C06-10DS/2-0.35V(800)	CL0480-0720-0-00	10	16.0	7.5	4.10	17.5	21.5	380	80
BK13C06-32DS/2-0.35V(800)	CL0480-0664-0-00	32	24.0	11.5	7.95	25.5	29.5	380	80
BK13C06-40DS/2-0.35V(800)	CL0480-0666-0-00	40	24.0	11.5	9.35	25.5	29.5	380	80
BK13C06-50DS/2-0.35V(800)	CL0480-0726-0-00	50	24.0	11.5	11.10	25.5	29.5	380	80
BK13C06-60DS/2-0.35V(800)	CL0480-0728-0-00	60	24.0	11.5	12.85	25.5	29.5	380	80

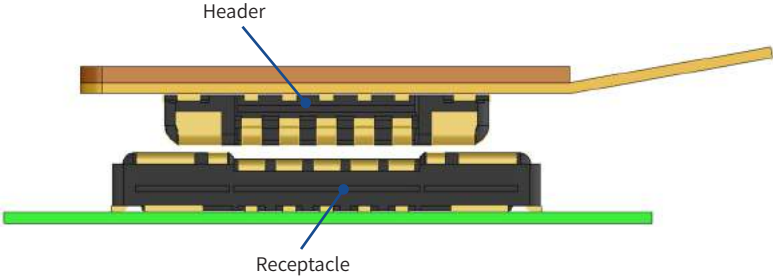
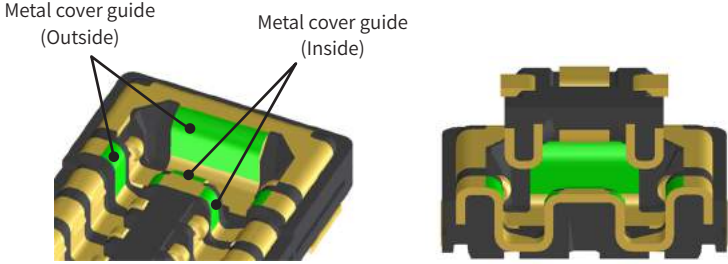
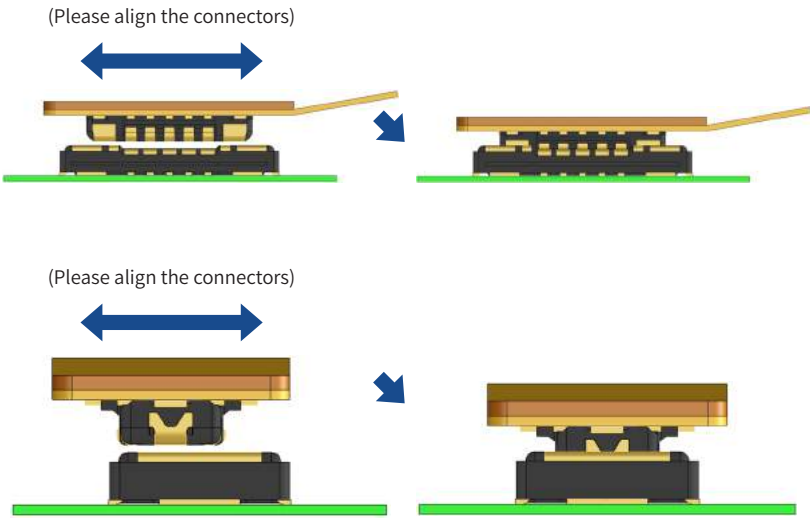

Part No.	HRS No.	No. of Pos.	A	B	C	D	E	H	I
BK13C06-10DS/2-0.35V(895)	CL0480-0720-0-95	10	16.0	7.5	4.10	17.5	21.5	180	60
BK13C06-32DS/2-0.35V(895)	CL0480-0664-0-95	32	24.0	11.5	7.95	25.5	29.5	180	60
BK13C06-40DS/2-0.35V(895)	CL0480-0666-0-95	40	24.0	11.5	9.35	25.5	29.5	180	60
BK13C06-50DS/2-0.35V(895)	CL0480-0726-0-95	50	24.0	11.5	11.10	25.5	29.5	180	60
BK13C06-60DS/2-0.35V(895)	CL0480-0728-0-95	60	24.0	11.5	12.85	25.5	29.5	180	60

◆ Precautions

<p>1. Recommended Solder Temperature Profile</p>	 <p>[Conditions]</p> <ol style="list-style-type: none"> 1. Peak Temperature : Maximum of 250°C 2. Heated Section : 220°C Min., within 60 seconds 3. Preheated Section : 150 to 180°C, 90 to 120 seconds 4. Number of Reflow Cycles : Maximum of 2 cycles <p>Note 1 : The temperature is the surface temperature of the PCB in the vicinity of the connector lead part.</p> <p>Note 2 : When using nitrogen reflow process, please mount the product with an oxygen concentration at a minimum of 1,000[ppm]. Please contact a Hirose representative if the concentration is below 1,000[ppm]</p>
<p>2. Recommended Manual Soldering Conditions</p>	<p>Soldering iron temperature : 340±10°C Soldering time : within 3 seconds</p>
<p>3. Recommended Screen Thickness and Open Area Ratio to PCB Pattern Area</p>	<p>Thickness : 0.08mm Aperture ratio : 100% on the header side, 100% on the receptacle side</p>
<p>4. PCB Warpage</p>	<p>A maximum of 0.02mm at the center of the connector with reference to both ends of the connector.</p>
<p>5. Cleaning</p>	<p>Not recommended. If this product is cleaned, please evaluate the performance before using it. Cleaning may cause a change in the mating/unmating properties as well as environmental resistance.</p>
<p>6. Notes</p>	<ul style="list-style-type: none"> ■ Insertion or removal prior to board mounting may result in contact deformation. ■ Avoid supporting the PCB only with the connectors. Support it by other means such as bolts, screws, posts, etc. ■ Avoid excessive prying mating/unmating as it may result in damage. ■ During manual soldering, do not apply flux which will cause solder wicking. ■ This product may have slight color differences due to production lot variability, but this does not have any effect on the performance. ■ Please refer to the next page for mating/unmating precautions. ■ It is advised to secure the mated connectors to the board with housings and cushioning materials because the product can disengage if dropped, by other impact or by FPC routing. ■ Caution! Do not use the connector outside of the specifications. (i.e., rated current, rated voltage, PCB design and operating environment, etc.). Such usage could lead to material outgassing, ignition, or short-circuit, etc. ■ Please use a proper stiffener on the back of the FPC. We recommend using a glass epoxy material with a minimum thickness of 0.3mm or a stainless steel material with a minimum of thickness of 0.2mm.

Sep. 1.2021 Copyright 2021 HIROSE ELECTRIC CO., LTD. All Rights Reserved.

● Connector Mating Precautions

	
	<p>1) Locate the guides and align the connectors to the appropriate mating position. The connector has guide ribs on the receptacle for proper mating alignment. Align the connectors with this guide.</p>
	<p>2) When the connector comes to the appropriate position, the connector will lower into place as indicated by the change in mated height.</p> <p>3) When the connectors has lowered into place, the connector pair will be parallel to each other and cannot be moved back and forth or left and right. Please complete mating by applying force in this condition.</p>
	<p>4) Please make sure connectors are mated completely. If one side is floating or the connectors are mated at a slant, please unmate and then repeat the mating procedure following the steps described.</p>

● Connector Un-mating Precautions

	<p>1) It is recommended to remove the connector by pulling perpendicular to the connector mounted surface. However, for unmating FPC-to-board connectors, this becomes more difficult as the pin count increases and with thinner FPC.</p>
	<p>2) If it is difficult to remove the connector parallel to the mounting surface, remove it diagonally towards the pitch direction. Do not remove the connector towards the width direction as it may put a large amount of stress on the contacts.</p>
	<p>3) Other cautions If the FPC is not rigid enough, there is a possibility of solder peeling or connector damage. Please conduct repeated testing on the FPC planned to be used several times in an early stage build. Please do not remove the FPC by holding one corner and pulling at a diagonal as this will put a great amount of stress on the contacts.</p>

Sep. 1. 2021 Copyright 2021 HIROSE ELECTRIC CO., LTD. All Rights Reserved.

◆ While taking in consideration

Specifications mentioned in this catalog are reference values.

When considering to order or use this product, please confirm the "Drawing" and "Product Specifications" sheets.

Use an appropriate cable when using the connector in combination with cables.

If considering usage of a non-specified cable, please contact your sales representative.

If assembly process is done by jigs & tools which are not identified by Hirose assurance will not be given.

If considering usage for below mentioned applications, please contact your sales representative.

In cases where the application will demand a high level of reliability, such as automotive, medical instruments, public infrastructure, aerospace/ defense etc. Hirose must review before assurance of reliability can be given.

HIROSE ELECTRIC CO., LTD.
2-6-3, Nakagawa Chuoh, Tsuzuki-Ku, Yokohama-Shi 224-8540, JAPAN
<https://www.hirose.com/>
