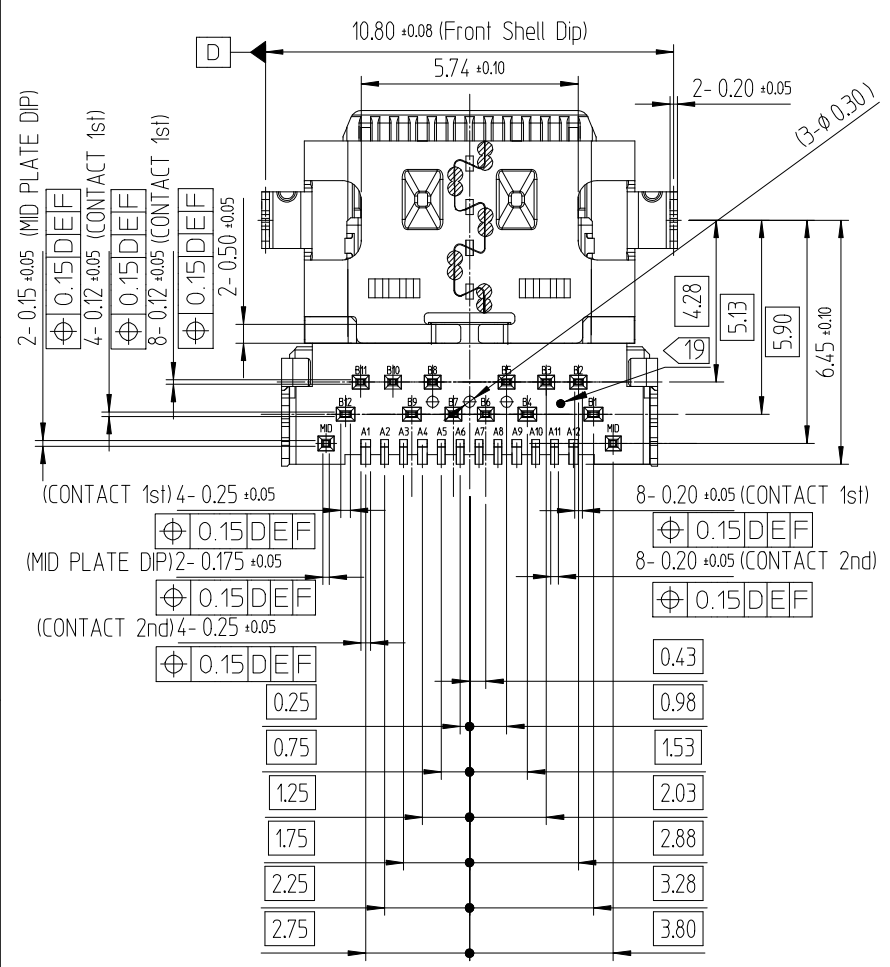
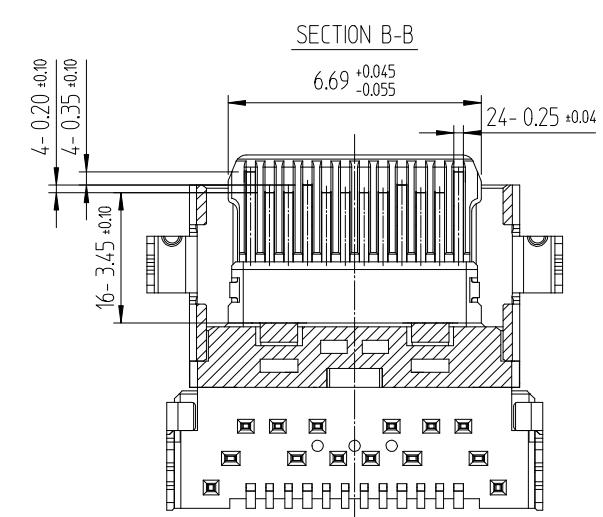
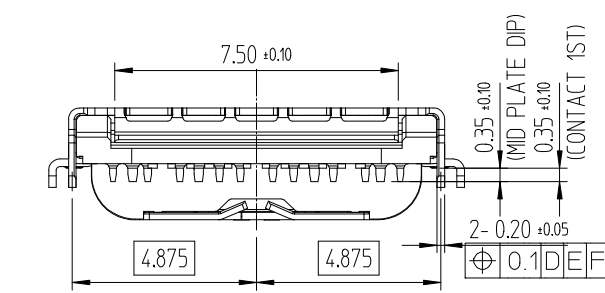
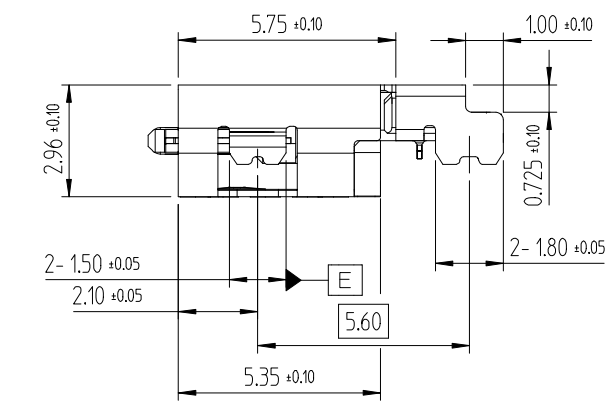
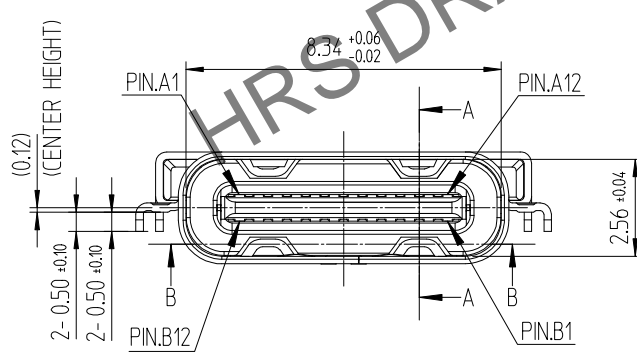
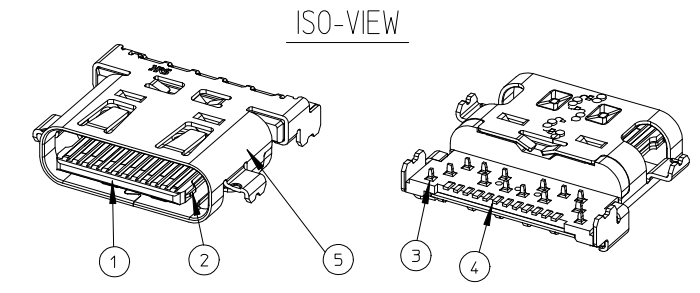
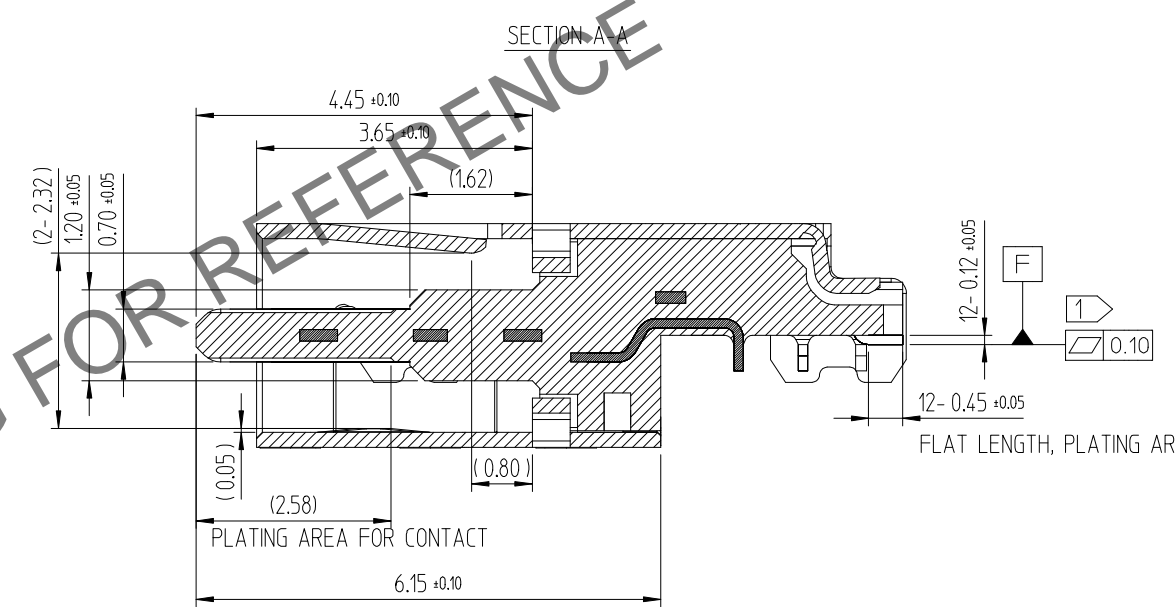
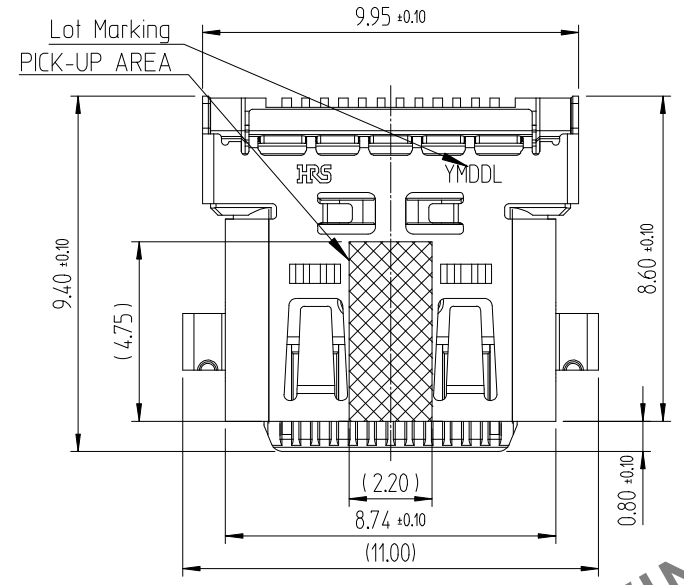
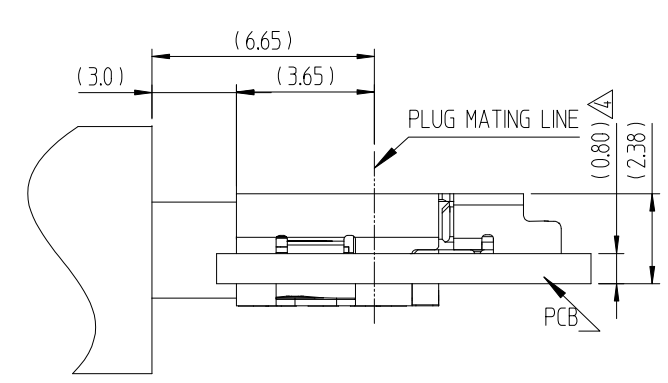


In case of consideration for using Automotive equipment / device which demand high reliability, kindly contact our sales window.

改正 REV.	變更履歷 NO. ECA NO.	訂正事項 DESCRIPTION OF REVISIONS	擔當 B	檢圖 Y	年月日 DATE	改正 REV.	變更履歷 NO. ECA NO.	訂正事項 DESCRIPTION OF REVISIONS	擔當 B	檢圖 Y	年月日 DATE
△	-	RE-2-1450	OCH	LHJ	20.04.06	△	2	RE-2-2141	KYJ	LHJ	23.02.08
△	-	Revised	KYJ	LHJ	22.03.07	△	2	RE-2-2429	CJS	LHJ	23.10.13
△	-	RE-2-1965	KYJ	LHJ	22.09.01	△					



PCB MOUNTING POSITION



- NOTE
- ① LEAD CO-PLANARITY SHALL BE 0.10 MAX.
  - ② PIN ASSIGNMENT
  - ③ PACKING QUANTITY : 1,400 PCS/REEL
  - 4. UNSPECIFIED TOLERANCE : ±0.2

② PIN ASSIGNMENT (FRONT-VIEW)

A1	A2	A3	A4	A5	A6	A7	A8	A9	A10	A11	A12
GND	TX1+	TX1-	V <sub>bus</sub>	CC1	D+	D-	SBU1	V <sub>bus</sub>	RX2-	RX2+	GND
GND	RX1+	RX1-	V <sub>bus</sub>	SBU2	D-	D+	CC2	V <sub>bus</sub>	TX2-	TX2+	GND
B12	B11	B10	B9	B8	B7	B6	B5	B4	B3	B2	B1

5	MAIN SHELL	STAINLESS STEEL	Nickel plated
4	CONTACT 2nd	CORSON ALLOY	CONTACT : Gold over Nickel plated
3	CONTACT 1ST	CORSON ALLOY	LEAD AREA : Gold over Nickel plated
2	MID PLATE	STAINLESS STEEL	Nickel plated
1	INSERT MOLD	THERMAL PLASTIC	Black Color
NO.	PART NAME	MATERIAL	REMARKS

CODE NO.	DRAWN	DESIGNED	CHECKED	APPROVED	RELEASED
	C.H.OH	C.H.OH	H.J.LEE	H.J.LEE	DEPT 23.10.13 ENG
	19.11.20	19.11.20	19.11.20	19.11.20	

SCALE 5:1 UNITS mm	DRAWING NO. EDC3-632813	PART NO. △CX70M1-24P
	HIROSE KOREA CO.,LTD.	CODE NO. CL 6240-0029-8

