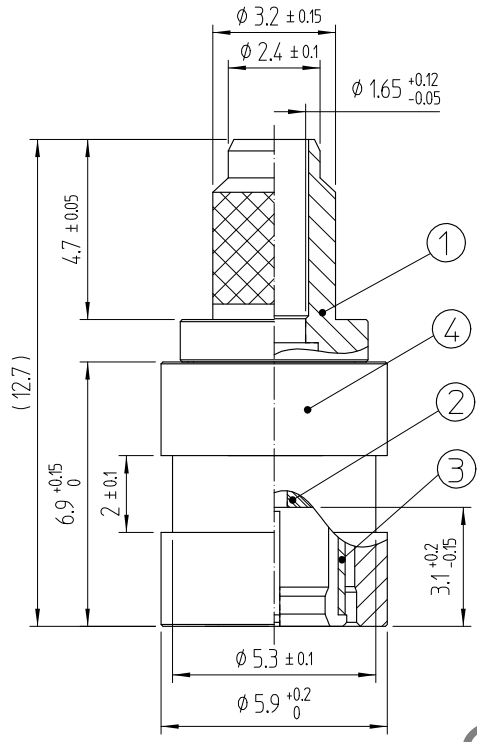


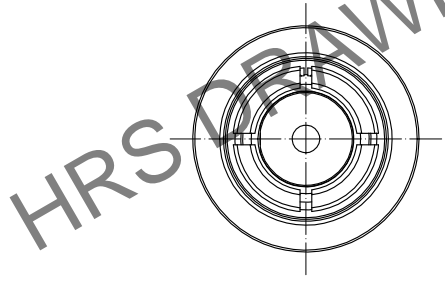
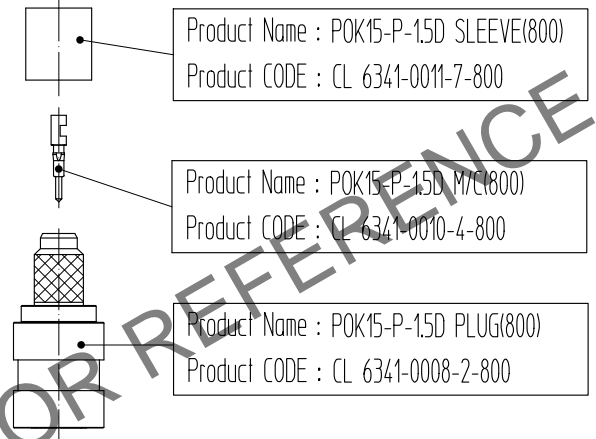
Mar.1.2026 Copyright 2026 HIROSE ELECTRIC CO., LTD. All Rights Reserved.
In case of consideration for using Automotive equipment / device which demand high reliability, kindly contact our sales window correspondents.

1		2			3			4			
COUNT	DESCRIPTION OF REVISIONS	B	Y	CHKD	DATE	COUNT	DESCRIPTION OF REVISIONS	B	Y	CHKD	DATE
△						△					
△						△					
△						△					

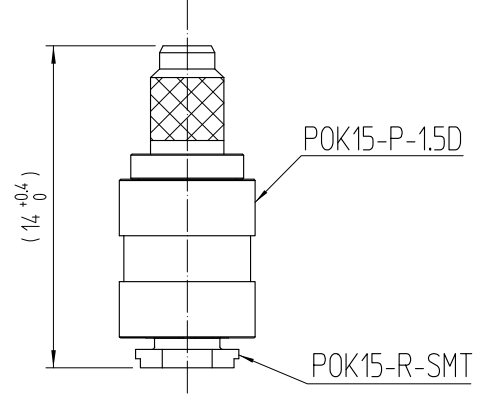


Note 1. Use in combination with a suitable counterpart.
When combined with an incompatible plug, there might be damage on product-function and the product it self.
If the inappropriate counterpart is assembled, it might cause disfunction and damage on product.

2. POK15-P-15D PART LIST



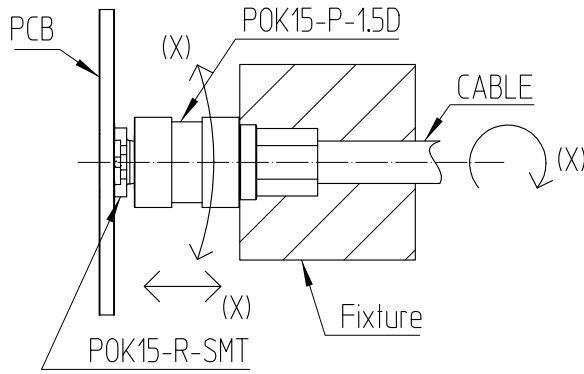
[Reference]Connecting Drawing (Scale 3:1)



3	Be-COPPER	Ni PLATING	4	COPPER	Ni PLATING
1	COPPER	Ni PLATING	2	PBT	COLOR: GRAY
NO.	MATERIAL	FINISH . REMARKS	NO.	MATERIAL	FINISH . REMARKS
CODE NO. (OLD)			DRAWN	DESINGED	CHECKED
			D.G KIM	D.G KIM	H.S KIM
			19.06.19	19.06.19	19.06.19
			APPROVED	RELEASED	
			H.S KIM		
DRAWING NO. EDC4-611539		PART NO. POK15-P-15D PLUG(800)			
SCALE 5:1			CODE NO. CL 6341-0008-2-800		
UNITS mm					

Mar.1.2026 Copyright 2026 HIROSE ELECTRIC CO., LTD. All Rights Reserved.
In case of consideration for using Automotive equipment / device which demand high reliability, kindly contact our sales window correspondents.

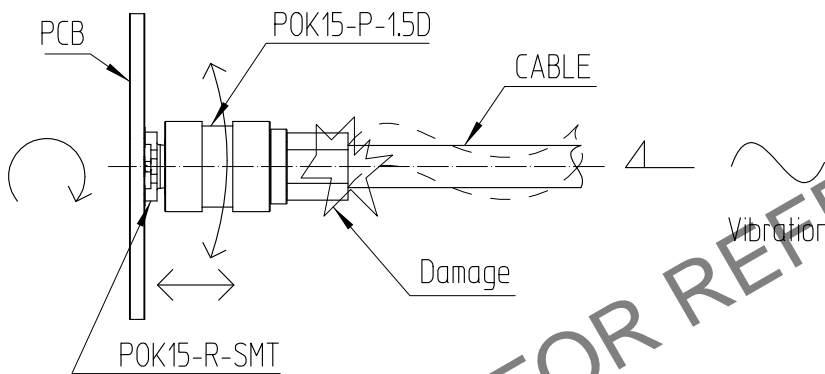
[Caution]



* This product should be fixed with fixture so that it does not rotate vertically and horizontally when it is combined with mating material.

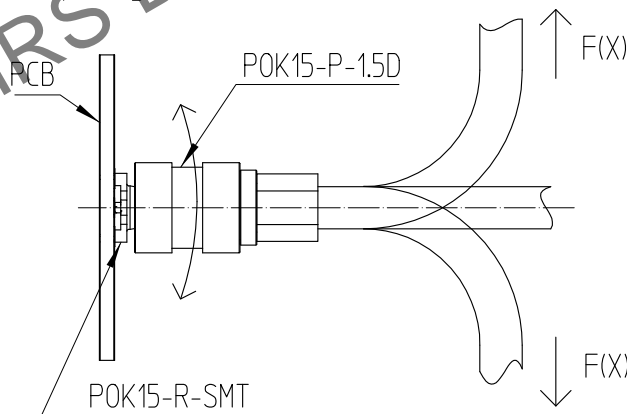
The product must be assembled with counterpart and fixed by it's tool to prevent it from rotating (If it is not fixed by the tool, it might cause disfunction in usage)

[Example of incident (when there is no tool for fixation)]



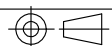
* If you use this product without the fixing structure, it may cause loss of function of the product, disconnection of the connection part, peeling of the counterpart due to rotation of up and down and left and right.

If the product is used without fixation, it might(rotation) cause disfunction, disconnection of wire, PCB peeling off.



* If you use this product without the fixing structure, If the force acts in the direction differently from the center of the product, it may cause the loss of function due to eccentricity of the product.

If the product is used without fixation and force is applied in different direction from the center of the product, it may cause disfunction due to eccentricity of the product.



DRAWING NO.
EDC4-611539

PART NO.
POK15-P-1.5D PLUG(800)

SCALE
5:1

UNITS
mm

HRS HIROSE KOREA CO.,LTD.

CODE NO.
CL 6341-0008-2-800

2/2