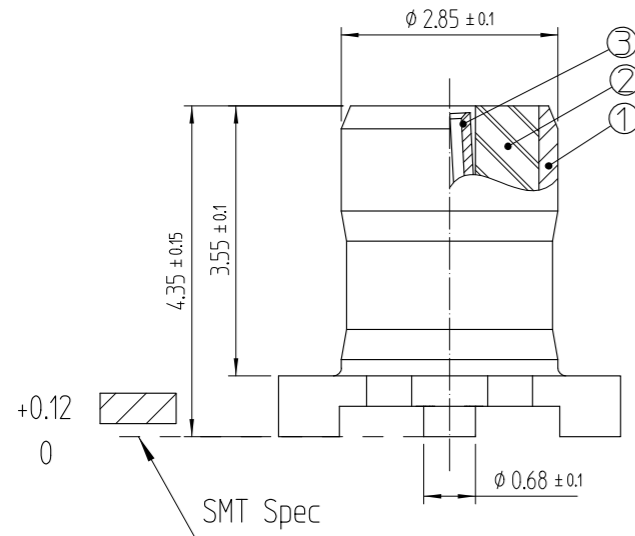
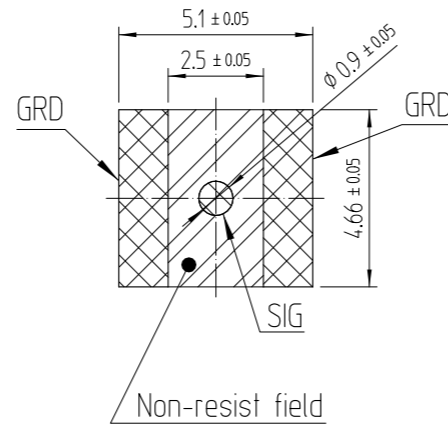


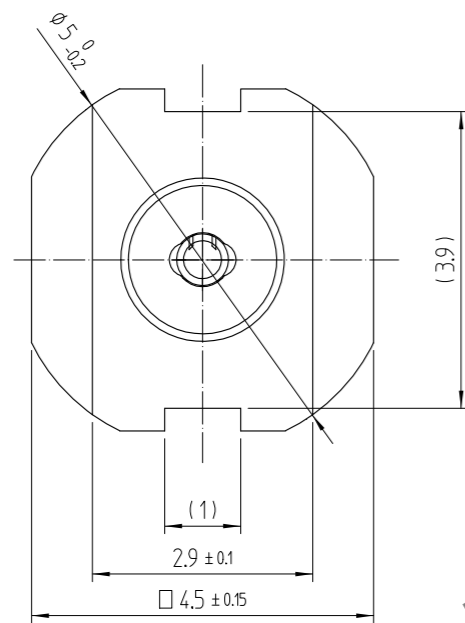
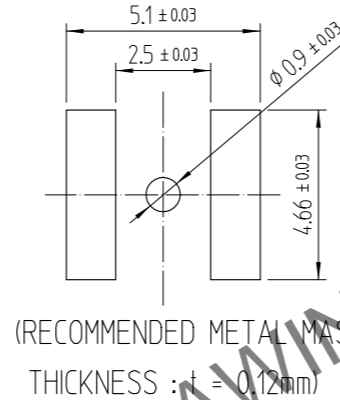
Mar.1.2026 Copyright 2026 HIROSE ELECTRIC CO., LTD. All Rights Reserved.  
In case of consideration for using Automotive equipment / device which demand high reliability, kindly contact our sales window correspondents.



RECOMMENDED PC BOARD  
PATTERN DRAWING(5:1)

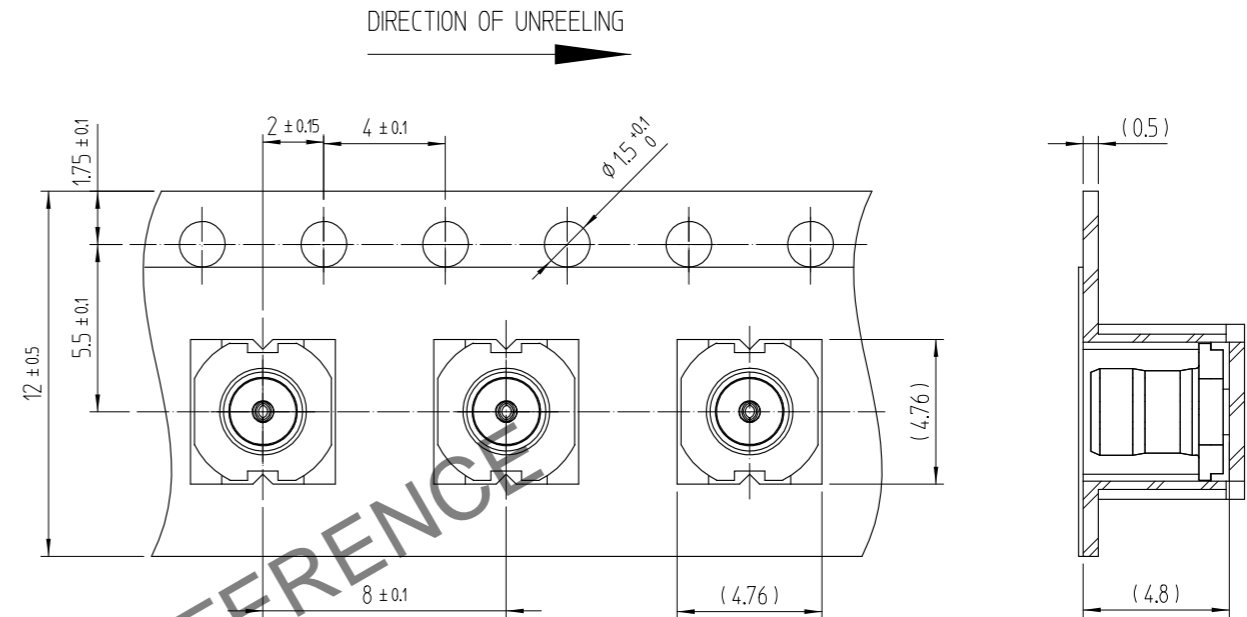


RECOMMENDED METAL MASK  
DRAWING(5:1)

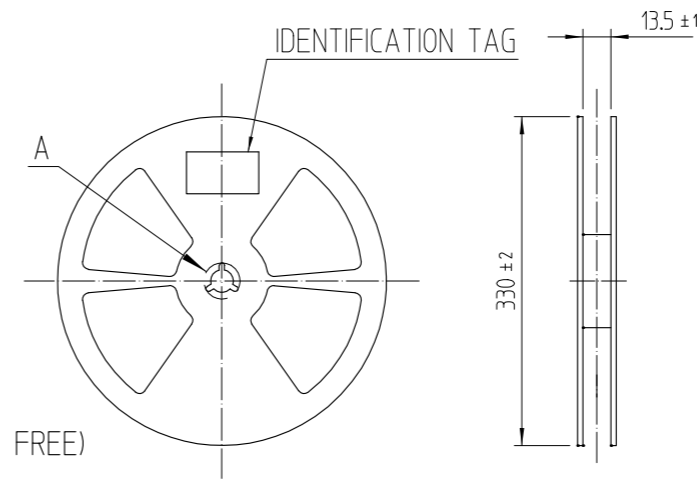


5		6			7		8				
COUNT	DESCRIPTION OF REVISIONS	B	Y	CHKD	DATE	COUNT	DESCRIPTION OF REVISIONS	B	Y	CHKD	DATE
△						△					
△						△					
△						△					

EMBOSSED TAPING DRAWING(4:1)



REEL DRAWING (SCALE FREE)



A (SCALE FREE)

MATERIAL: PS(WHITE)

NOTES:

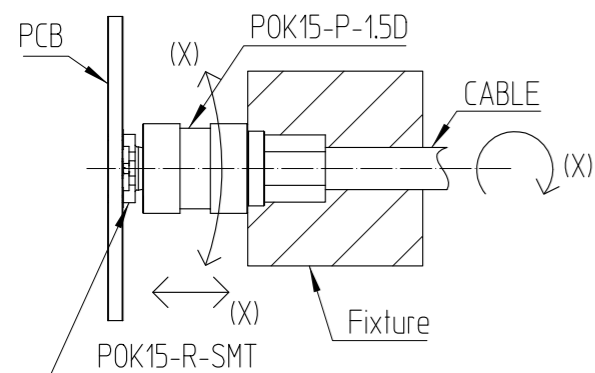
- 1 : THE QUANTITY OF POK15-R-SMT IS 1,000 CONNECTORS PER REEL.
- 2 : LEAD CO-PLANARITY SHALL BE 0.12 MAX.
- 3 : FOR THE POSSIBILITY OF BREAKAGE OR DEFORMATION.  
DO NOT MATE THES CONNECTOR WITH PARTNER, POK15-P-15D BEFORE MOUNTING ON PC BOARD.
- 4 : USE ALL PRODUCTS WITHIN 6 MONTHS AFTER THE DELIVERY.  
STORE THEM IN MANUFACTURER'S PACKAGE OR TIGHTLY RE-CLOSED BOX WITH THE FOLLOWING CONDITIONS, CHECK THE TERMINAL SOLDERABILITY BEFORE USE IF THE PRODUCT HAS BEEN STORED FOR MORE THAN 6 MONTHS.

TEMPERATURE : -10°C TO +50°C  
HUMIDITY : 15 TO 85% RH.

3	TITANIUM COPPER	GOLD PLATING			
1	COPPER	GOLD PLATING	2	LCP	(COLOR : BLACK)
NO.	MATERIAL	FINISH . REMARKS	NO.	MATERIAL	FINISH . REMARKS
CODE NO. (OLD)			DRAWN	DESINGED	CHECKED
			D.G KIM	D.G KIM	H.S KIM
			19.06.19	19.06.19	19.06.19
			APPROVED	RELEASED	
			H.S KIM	H.S KIM	ENG
					19.06.19
					DEPT
DRAWING NO. EDC3-632851		PART NO. POK15-R-SMT(800)			
UNITS mm		CODE NO. CL 6341-0009-5-800			1/2

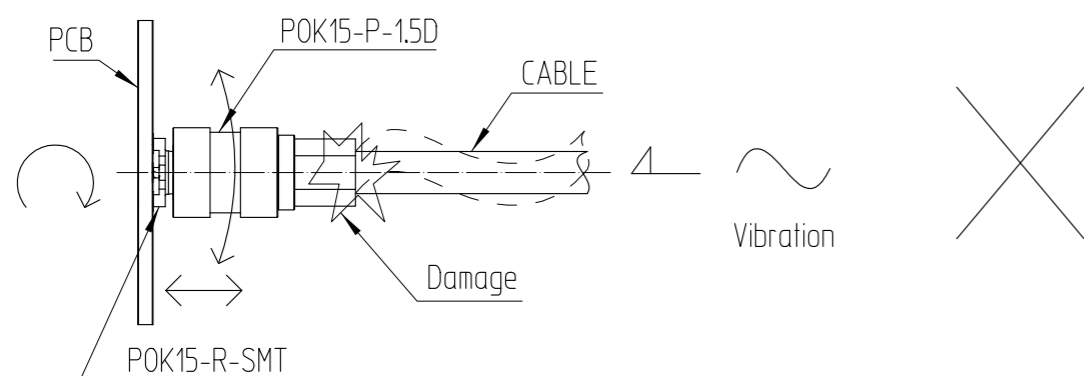
Mar.1.2026 Copyright 2026 HIROSE ELECTRIC CO., LTD. All Rights Reserved.  
In case of consideration for using Automotive equipment / device which demand high reliability, kindly contact our sales window correspondents.

[Caution]



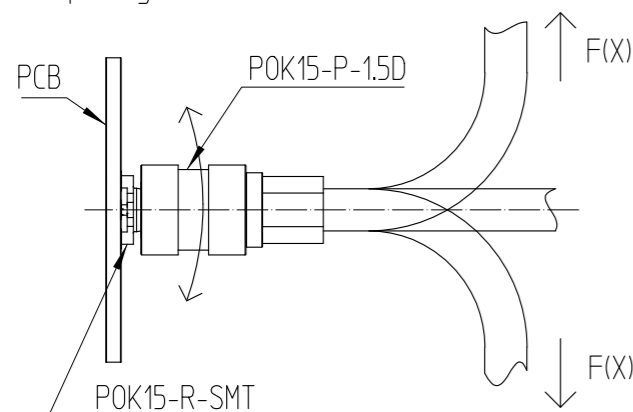
\* This product should be fixed with fixture so that it does not rotate vertically and horizontally when it is combined with mating material.  
The product must be assembled with counterpart and fixed by it's tool to prevent it from rotating (If it is not fixed by the tool, it might cause disfunction in usage)

[Example of incident ( when there is no tool for fixation )]



\* If you use this product without the fixing structure, it may cause loss of function of the product, disconnection of the connection part, peeling of the counterpart due to rotation of up and down and left and right.

If the product is used without fixation, it might(rotation) cause disfunction, disconnection of wire, PCB peeling off.



\* If you use this product without the fixing structure, If the force acts in the direction differently from the center of the product, it may cause the loss of function due to eccentricity of the product.

If the product is used without fixation and force is applied in different direction from the center of the product, it may cause disfunction due to eccentricity of the product.

HRS DRAWING FOR REFERENCE

 SCALE 10:1 UNITS mm	DRAWING NO. EDC3-632851	PART NO. POK15-R-SMT(800)	<div style="border: 1px solid black; padding: 2px;">2 / 2</div>	
	HIROSE KOREA CO.,LTD.			CODE NO. CL 6341-0009-5-800