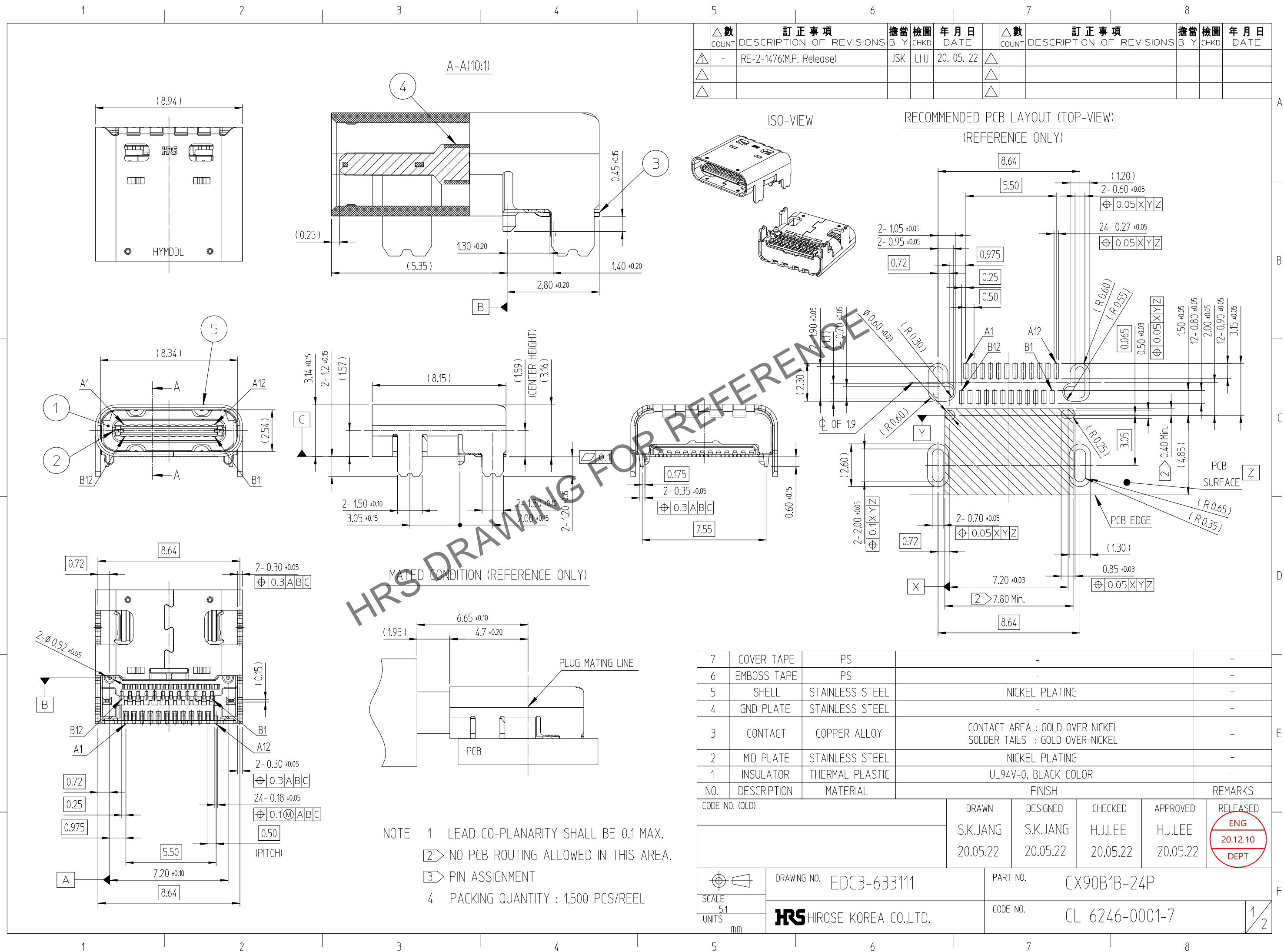


Feb.1.2025 Copyright 2025 HIROSE ELECTRIC CO., LTD. All Rights Reserved.
In case of consideration for using Automotive equipment / device which demand high reliability, kindly contact our sales window correspondents.



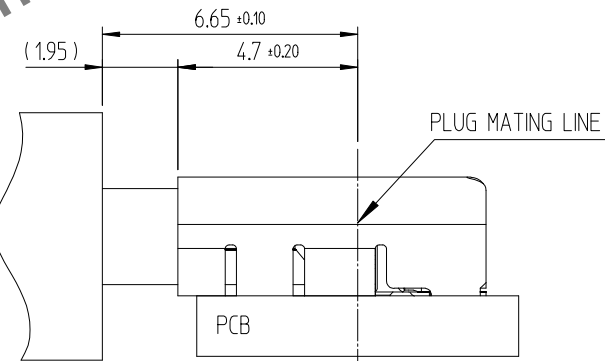
△數 COUNT	訂正事項 DESCRIPTION OF REVISIONS	擔當 B	檢圖 CHKD	年月日 DATE	△數 COUNT	訂正事項 DESCRIPTION OF REVISIONS	擔當 B	檢圖 CHKD	年月日 DATE
△	-	JSK	LHJ	20.05.22	△				
△					△				
△					△				

NO.	DESCRIPTION	MATERIAL	FINISH	REMARKS
7	COVER TAPE	PS	-	-
6	EMBOSS TAPE	PS	-	-
5	SHELL	STAINLESS STEEL	NICKEL PLATING	-
4	GND PLATE	STAINLESS STEEL	-	-
3	CONTACT	COPPER ALLOY	CONTACT AREA : GOLD OVER NICKEL SOLDER TAILS : GOLD OVER NICKEL	-
2	MID PLATE	STAINLESS STEEL	NICKEL PLATING	-
1	INSULATOR	THERMAL PLASTIC	UL94V-0, BLACK COLOR	-

CODE NO. (OLD)		DRAWN	DESIGNED	CHECKED	APPROVED	RELEASED
		S.K.JANG	S.K.JANG	H.J.LEE	H.J.LEE	ENG 20.12.10 DEPT
		20.05.22	20.05.22	20.05.22	20.05.22	
DRAWING NO. EDC3-633111		PART NO. CX90B1B-24P				
SCALE 5:1 UNITS mm		HRS HIROSE KOREA CO.,LTD.		CODE NO. CL 6246-0001-7		1/2

HRS DRAWING FOR REFERENCE

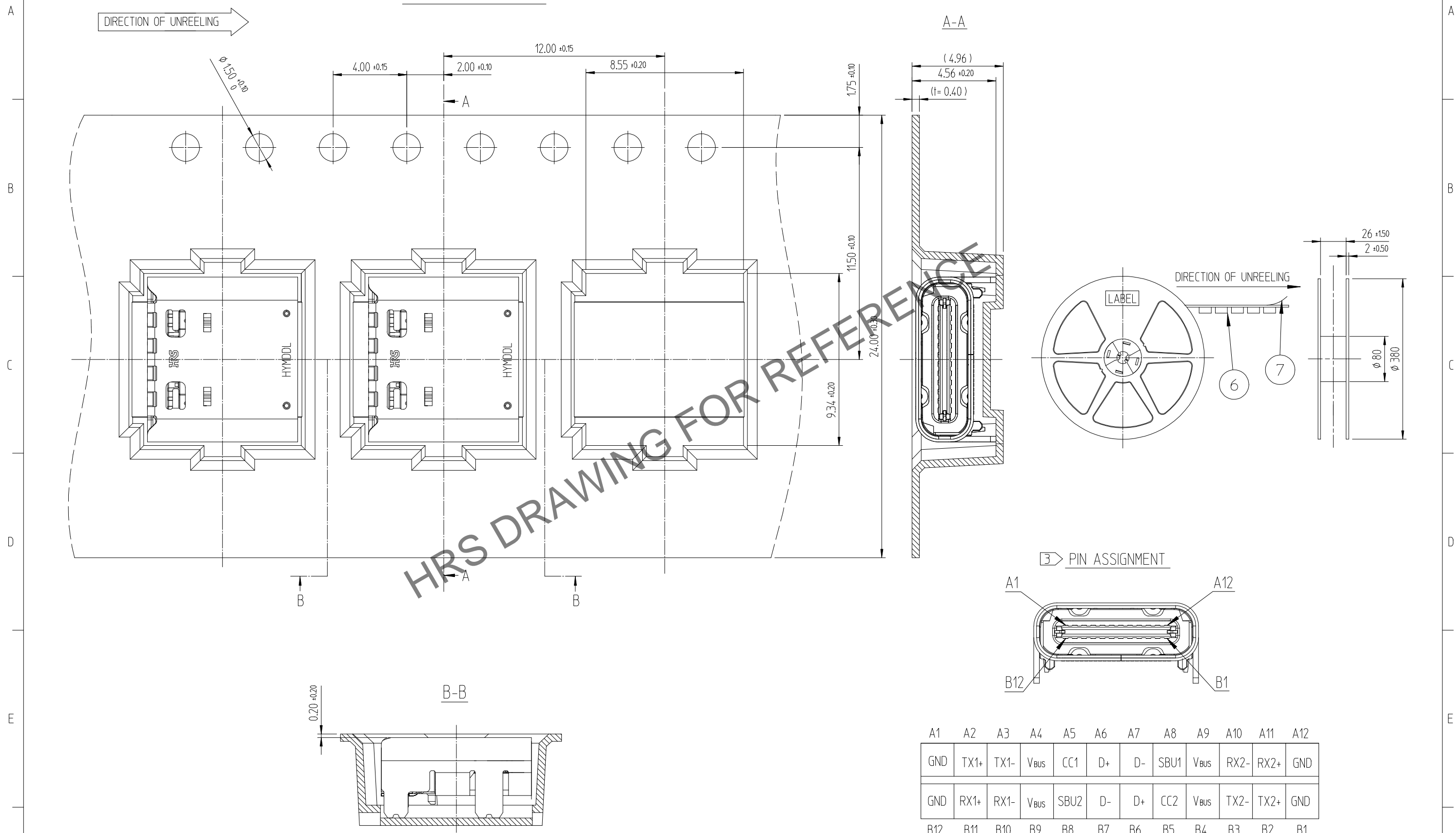
MATED CONDITION (REFERENCE ONLY)



- NOTE
- 1 LEAD CO-PLANARITY SHALL BE 0.1 MAX.
 - 2 NO PCB ROUTING ALLOWED IN THIS AREA.
 - 3 PIN ASSIGNMENT
 - 4 PACKING QUANTITY : 1,500 PCS/REEL

Feb.1.2025 Copyright 2025 HIROSE ELECTRIC CO., LTD. All Rights Reserved.
 In case of consideration for using Automotive equipment / device which demand high reliability, kindly contact our sales window correspondents.

DRAWING FOR PACKING



HRS DRAWING FOR REFERENCE

A1	A2	A3	A4	A5	A6	A7	A8	A9	A10	A11	A12
GND	TX1+	TX1-	V _{BUS}	CC1	D+	D-	SBU1	V _{BUS}	RX2-	RX2+	GND
GND	RX1+	RX1-	V _{BUS}	SBU2	D-	D+	CC2	V _{BUS}	TX2-	TX2+	GND
B12	B11	B10	B9	B8	B7	B6	B5	B4	B3	B2	B1

 SCALE 5:1 UNITS mm	DRAWING NO. EDC3-633111	PART NO. CX90B1B-24P
	HIROSE KOREA CO.,LTD.	CODE NO. CL 6246-0001-7