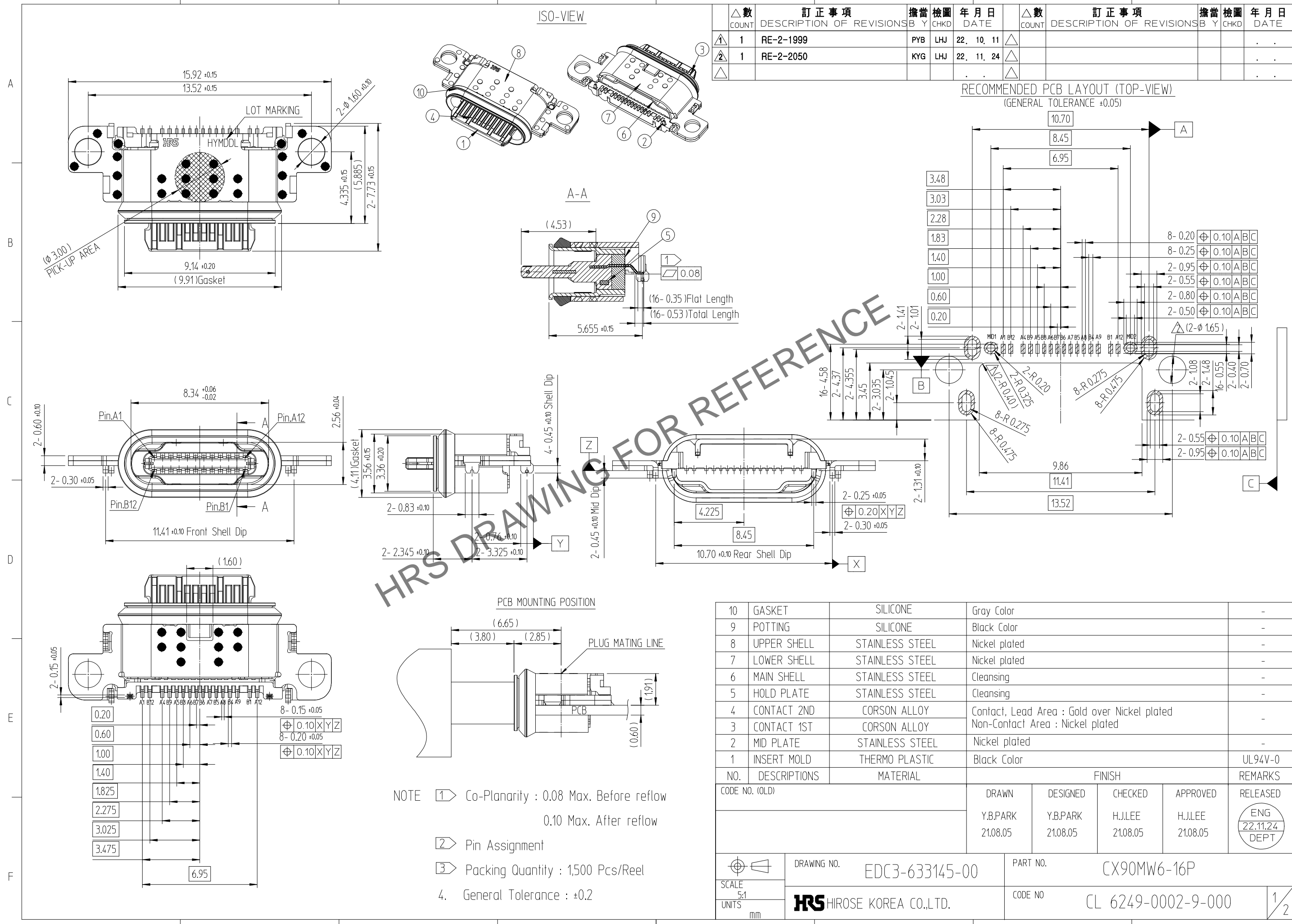


Feb.1.2025 Copyright 2025 HIROSE ELECTRIC CO., LTD. All Rights Reserved.
In case of consideration for using Automotive equipment / device which demand high reliability, kindly contact our sales window correspondents.

ISO-VIEW

△數 COUNT	訂正事項 DESCRIPTION OF REVISIONS	擔當 B	檢圖 CHKD	年月日 DATE	△數 COUNT	訂正事項 DESCRIPTION OF REVISIONS	擔當 B	檢圖 CHKD	年月日 DATE
1	RE-2-1999	PYB	LHJ	22. 10. 11					
1	RE-2-2050	KYG	LHJ	22. 11. 24					

RECOMMENDED PCB LAYOUT (TOP-VIEW)
(GENERAL TOLERANCE ±0.05)

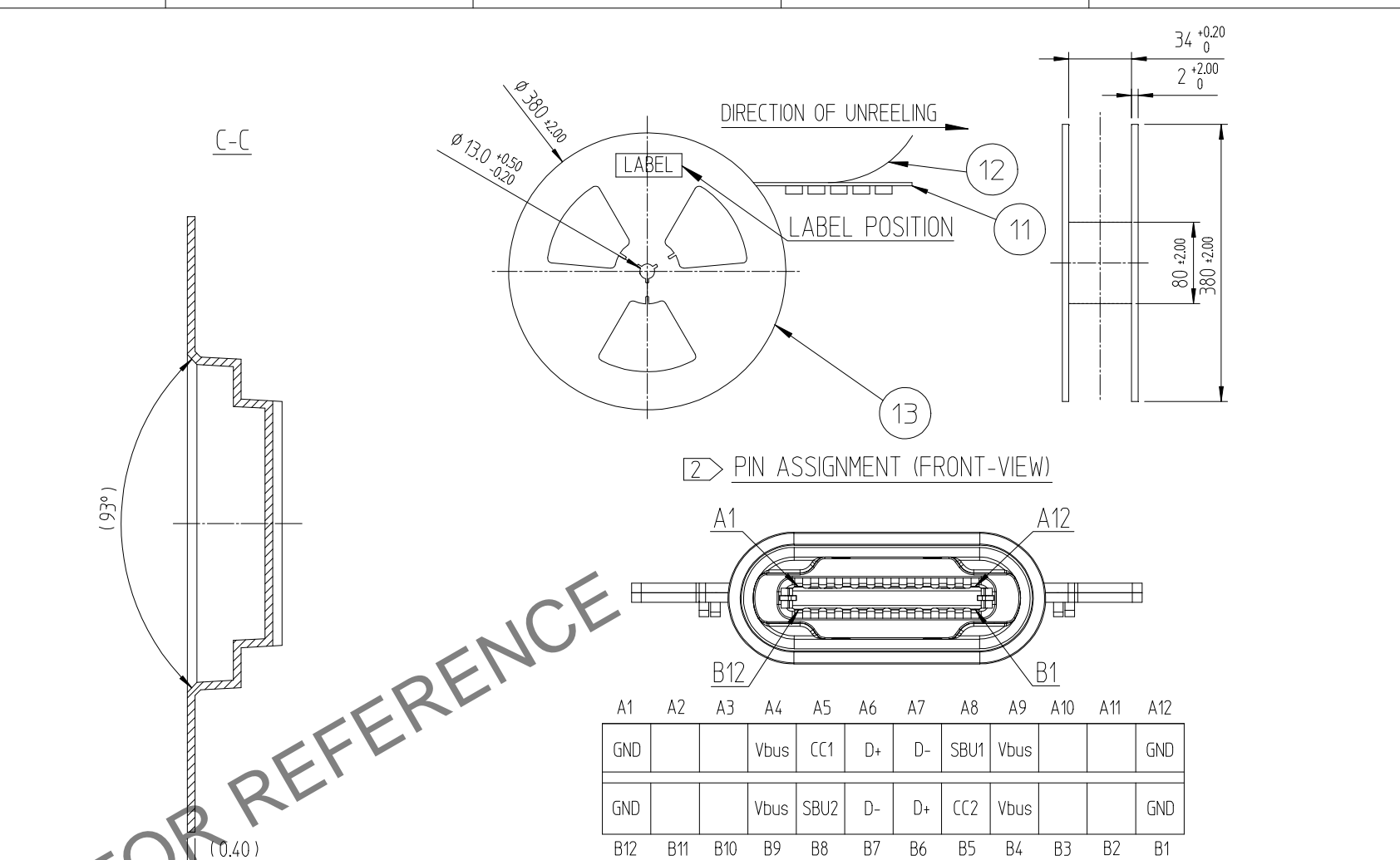
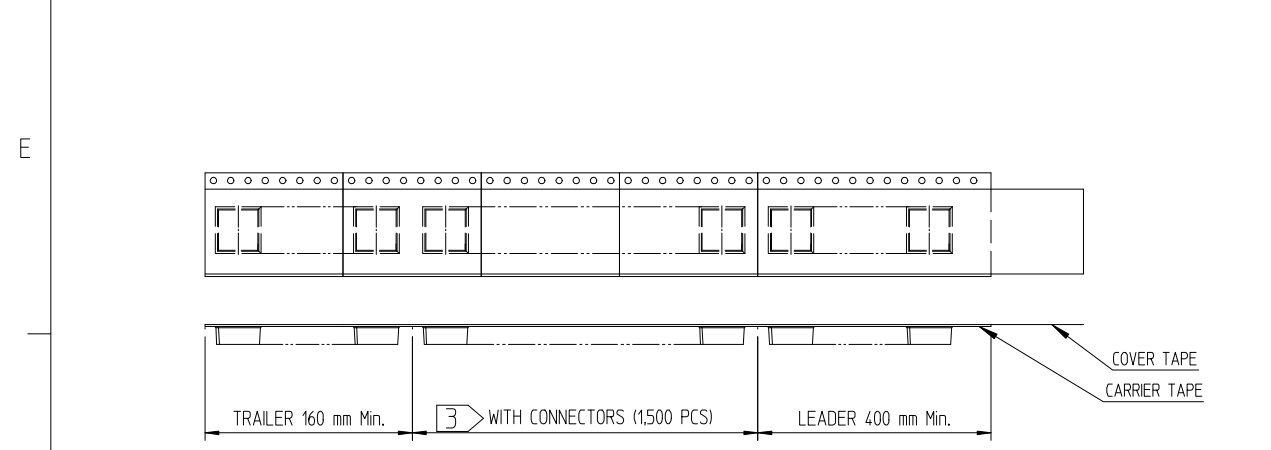
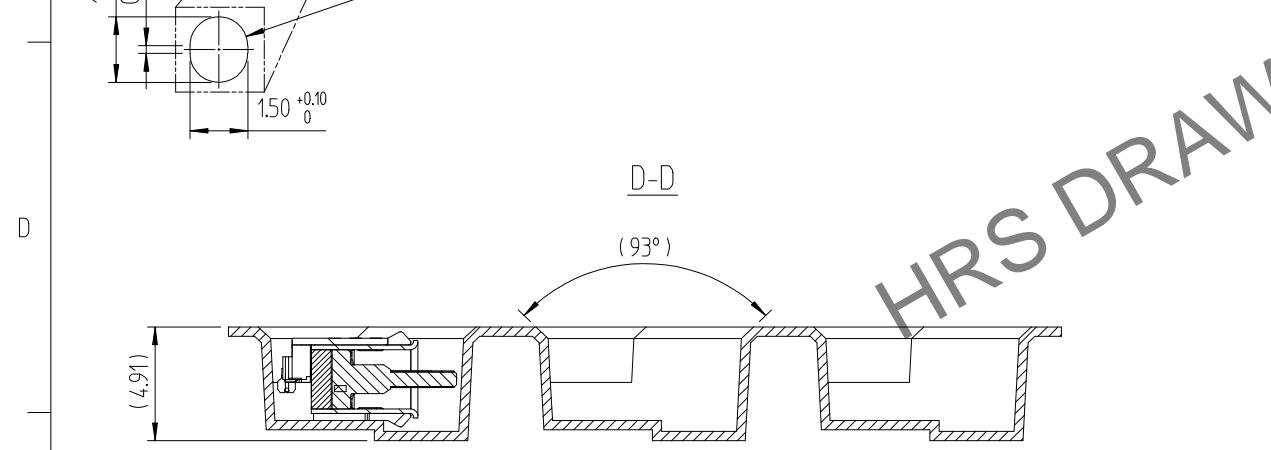
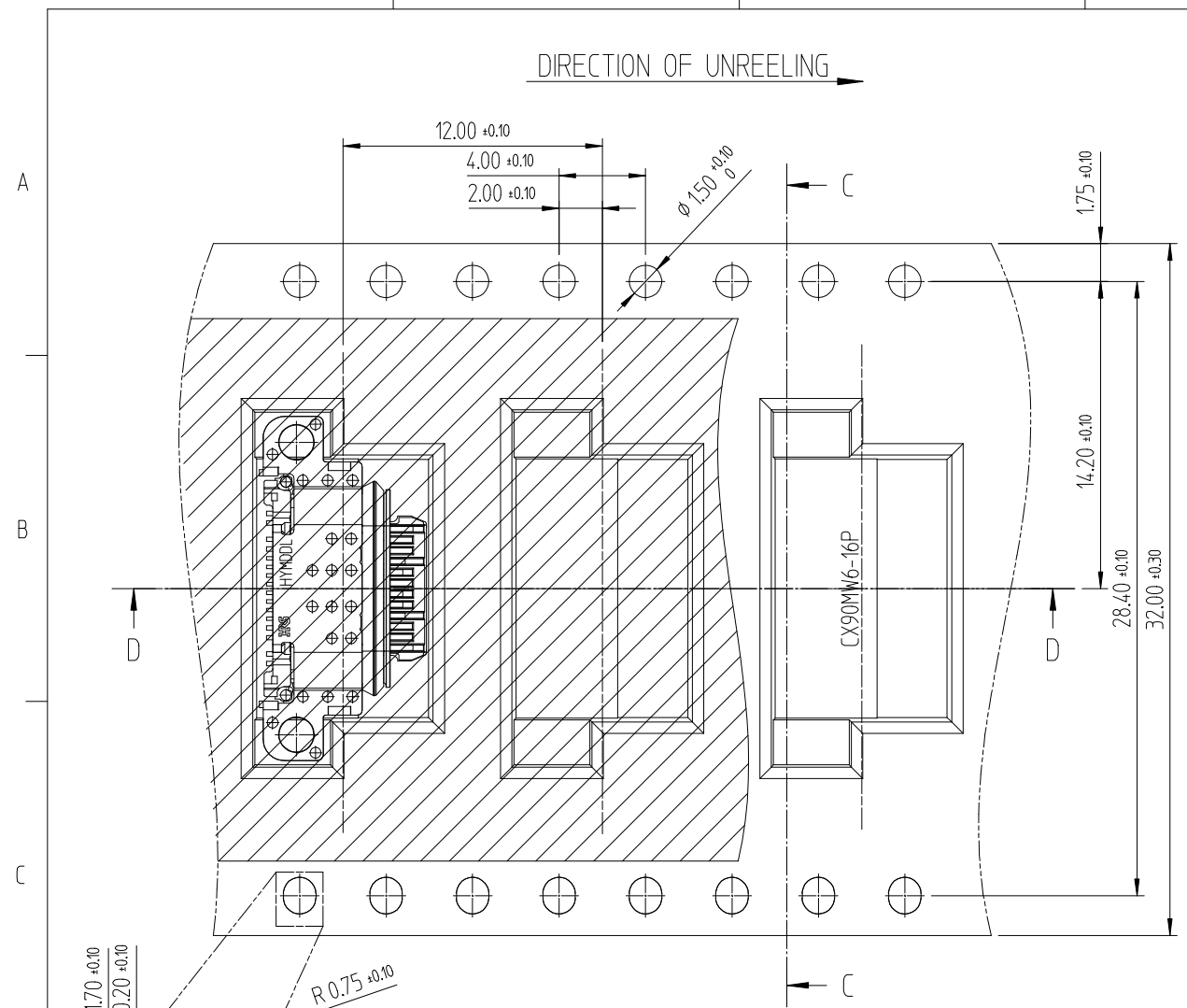


HRS DRAWING FOR REFERENCE

10	GASKET	SILICONE	Gray Color				
9	POTTING	SILICONE	Black Color				
8	UPPER SHELL	STAINLESS STEEL	Nickel plated				
7	LOWER SHELL	STAINLESS STEEL	Nickel plated				
6	MAIN SHELL	STAINLESS STEEL	Cleansing				
5	HOLD PLATE	STAINLESS STEEL	Cleansing				
4	CONTACT 2ND	CORSON ALLOY	Contact, Lead Area : Gold over Nickel plated				
3	CONTACT 1ST	CORSON ALLOY	Non-Contact Area : Nickel plated				
2	MID PLATE	STAINLESS STEEL	Nickel plated				
1	INSERT MOLD	THERMO PLASTIC	Black Color		UL94V-0		
NO.	DESCRIPTIONS	MATERIAL	FINISH		REMARKS		
CODE NO. (OLD)			DRAWN	DESIGNED	CHECKED	APPROVED	RELEASED
			Y.B.PARK 21.08.05	Y.B.PARK 21.08.05	H.J.LEE 21.08.05	H.J.LEE 21.08.05	ENG 22.11.24 DEPT
DRAWING NO.		EDC3-633145-00		PART NO.		CX90MW6-16P	
SCALE		5:1		CODE NO.		CL 6249-0002-9-000	
UNITS		mm		HRS HIROSE KOREA CO.,LTD.		1/2	

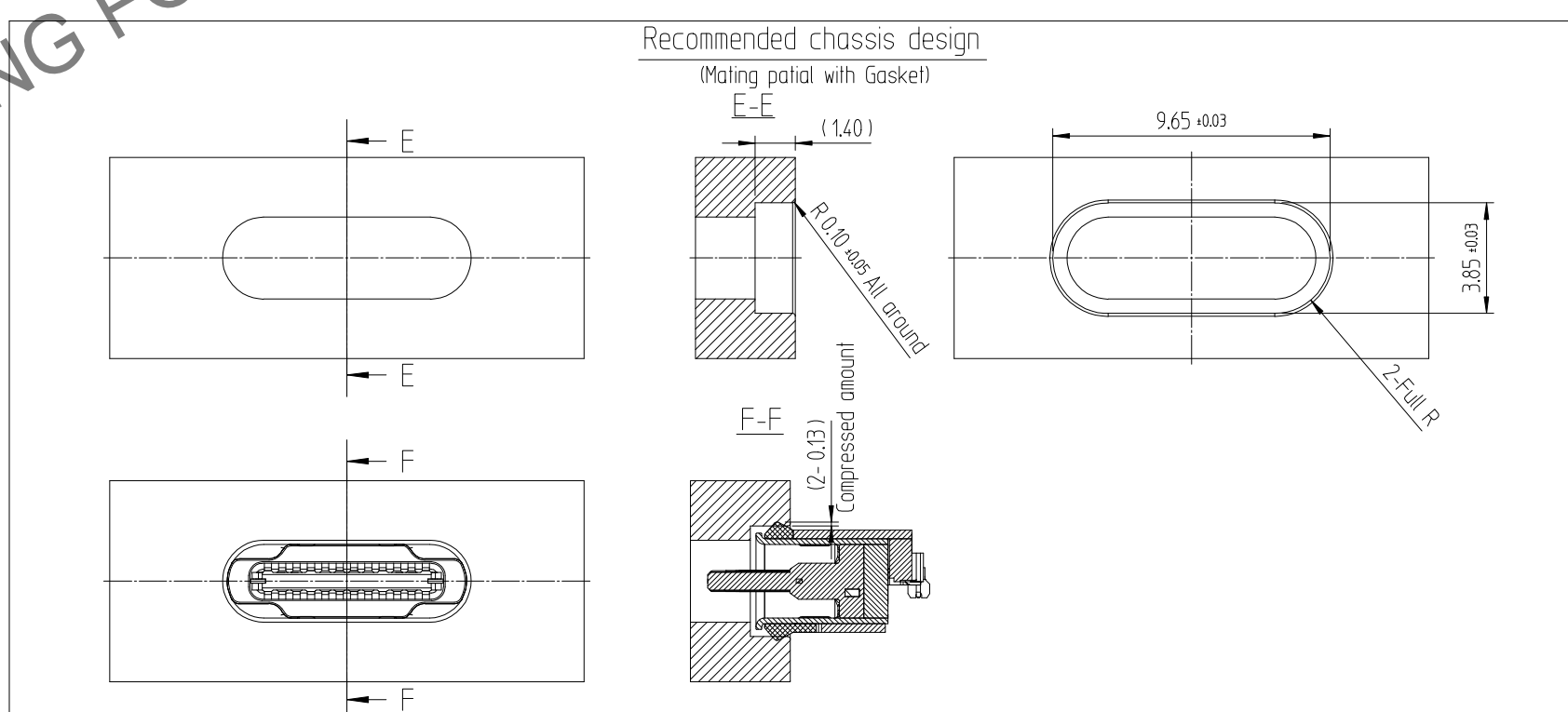
- NOTE
- ① Co-Planarity : 0.08 Max. Before reflow
0.10 Max. After reflow
 - ② Pin Assignment
 - ③ Packing Quantity : 1,500 Pcs/Reel
 - 4. General Tolerance : ±0.2

Feb.1.2025 Copyright 2025 HIROSE ELECTRIC CO., LTD. All Rights Reserved.
In case of consideration for using Automotive equipment / device which demand high reliability, kindly contact our sales window correspondents.



2 > PIN ASSIGNMENT (FRONT-VIEW)

A1	A2	A3	A4	A5	A6	A7	A8	A9	A10	A11	A12
GND		Vbus	CC1	D+	D-	SBU1	Vbus				GND
GND		Vbus	SBU2	D-	D+	CC2	Vbus				GND
B12	B11	B10	B9	B8	B7	B6	B5	B4	B3	B2	B1



13	REEL BOBBIN	PS	-	-
12	COVER TAPE	PET	-	-
11	EMBOSS TAPE	PS	THERMO-COMPERSSION SEALING	-
NO.	DESCRIPTIONS	MATERIAL	FINISH	REMARKS
DRAWING NO. EDC3-633145-00		PART NO. CX90MW6-16P		
SCALE 3:1	UNITS mm		CODE NO. CL 6249-0002-9-000	2/2
HRS HIROSE KOREA CO.,LTD.				