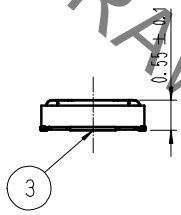
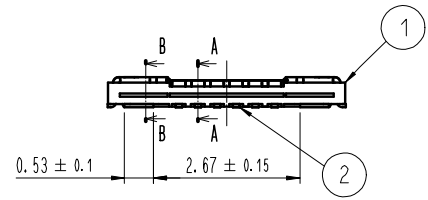
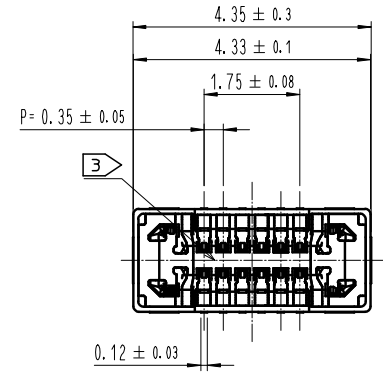
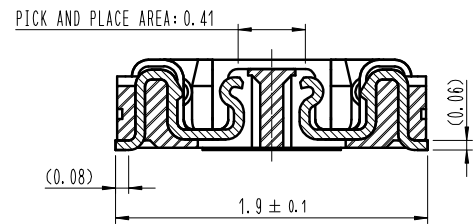


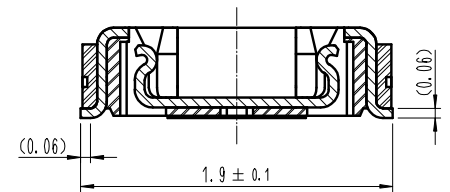
May.1.2023 Copyright 2023 HIROSE ELECTRIC CO., LTD. All Rights Reserved.
 use of consideration for using Automotive equipment / device which demand high reliability, kindly contact our sales window correspond



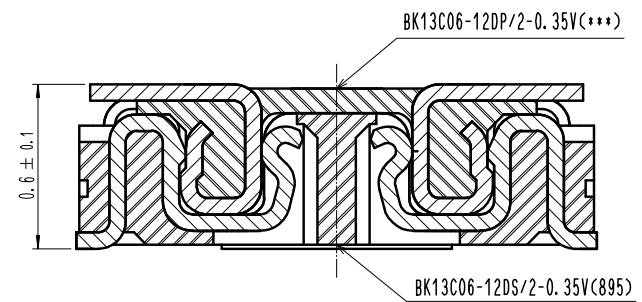
A-A (30:1)



B-B (30:1)

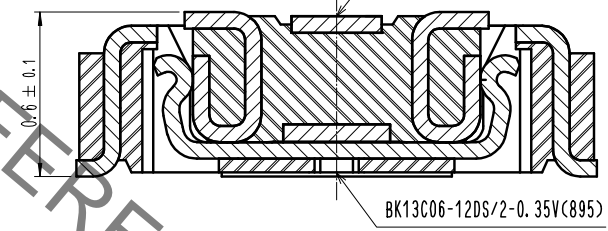


ENGAGEMENT FIGURE (50:1)



SIGNAL CONTACT

BK13C06-12DP/2-0.35V(***)



POWER CONTACT

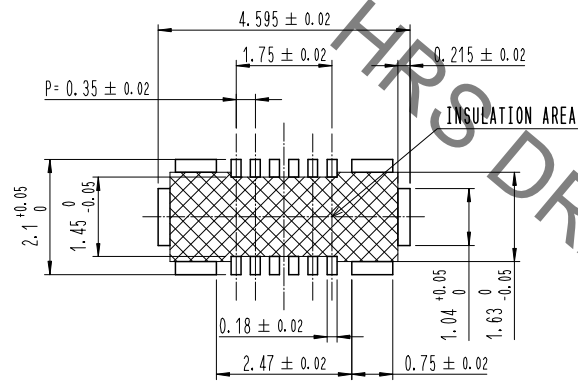
- NOTE
- 1 - ALL LEAD CO-PLANARITY SHALL BE 0.08mm MAX.
 - 2 CONTACT PLATING SPECIFICATIONS
 CONTACT AREA : GOLD 0.05 μm MIN
 SMT LEAD : GOLD 0.05 μm MIN
 UNDERPLATING : NICKEL 1 μm MIN
 (SURFACE : SEALING)
 - 3 CAV NO. ARE INDICATED IN APPROX POSITION SHOWN.

COUNT	DESCRIPTION OF REVISIONS	B	Y	CHKD	DATE	COUNT	DESCRIPTION OF REVISIONS	B	Y	CHKD	DATE
△						△					
△						△					
△						△					

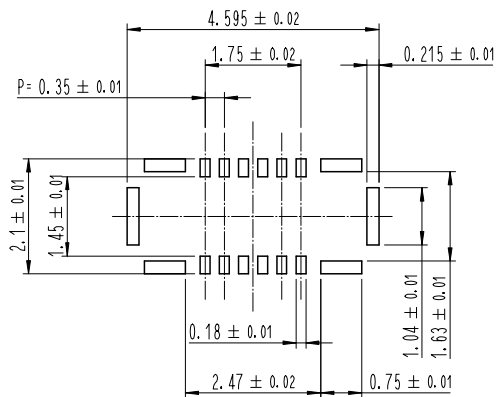
4	PS	CLEAR (EMBOSSED CARRIER TAPE)										
3	COPPER ALLOY	2										
2	COPPER ALLOY	2				6	PS			BLACK (PLASTIC REEL)		
1	LCP	UL94 V-0, BLACK				5	POLYESTER			CLEAR (COVER TAPE)		
NO.	MATERIAL	FINISH, REMARKS	NO.	MATERIAL	FINISH, REMARKS							
REMARKS						DRAWN	DESIGNED	CHECKED	APPROVED	RELEASED		
						G. H. LEE	G. H. LEE	H. W. JO	H. W. JO	22.10.06		
						22.10.06	22.10.06	22.10.06	22.10.06			
CODE NO. (COLD)	DRAWING NO. EDC3-633577-95					PART NO. BK13C06-12DS/2-0.35V(895)						
SCALE 10:1		UNITS mm				HRS HIROSE KOREA CO., LTD.					CODE NO. CL 6665-0061-0-895	1/3

May.1.2023 Copyright 2023 HIROSE ELECTRIC CO., LTD. All Rights Reserved.
 use of consideration for using Automotive equipment / device which demand high reliability, kindly contact our sales window correspond

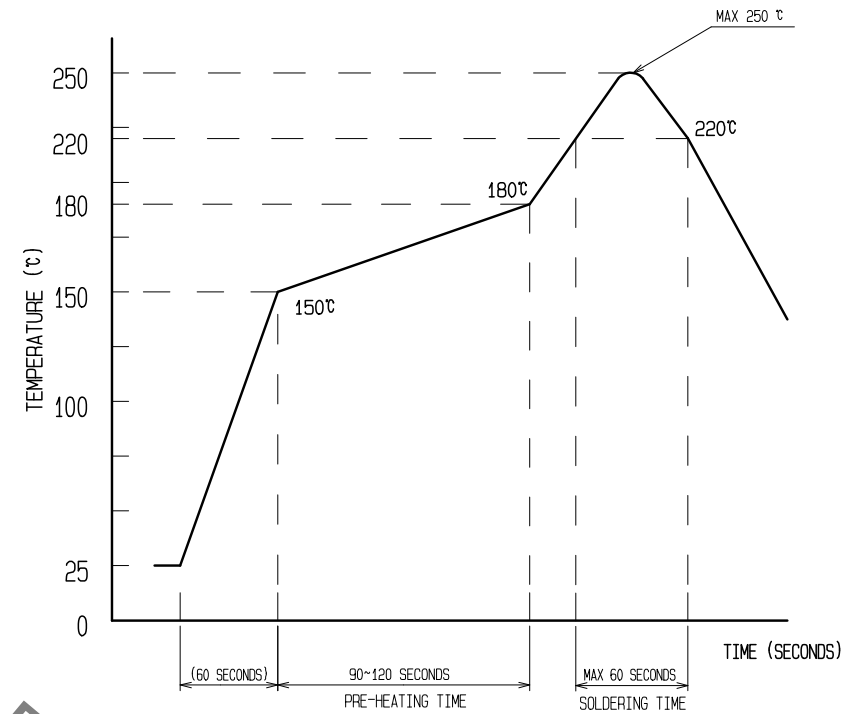
5 > RECOMMENDED PCB LAYOUT



◆ RECOMMENDED METAL MASK DIMENSIONS
 METAL MASK THICKNESS : $80 \mu\text{m}$



4 > RECOMMENDED REFLOW TEMPERATURE PROFILE USING LEAD-FREE SOLDER PASTE.



REFLOW METHOD : N_2 REFLOW
 NUMBER OF REFLOW CYCLES : 2 CYCLES MAX.
 1) REFLOW TIME
 DURATION ABOVE 220°C, 60 SEC MAX.
 (PEAK TEMPERATURE : 250°C MAX)
 2) PRE-HEAT TIME
 PRE-HEAT TEMPERATURE(MIN): 150°C
 PRE-HEAT TEMPERATURE(MAX): 180°C
 PRE-HEAT TIME: 90-120 SEC.

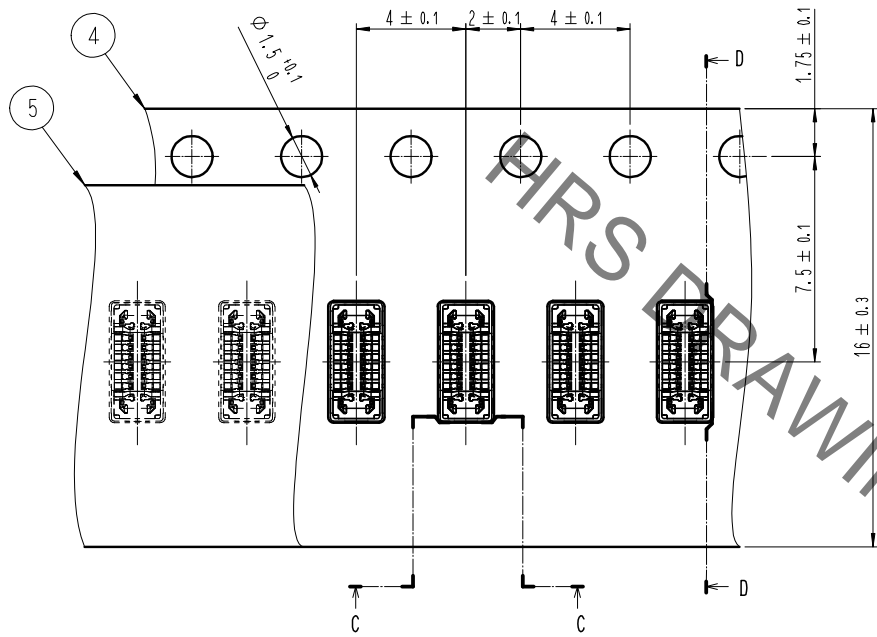
- 4 > THIS TEMPERATURE PROFILE IS PER THE CONDITIONS SHOWN ABOVE. ADDITIONAL FACTORS SUCH AS SOLDER PASTE TYPE, PCB SIZE AND OTHER MOUNTED COMPONENTS COULD AFFECT THE PROFILE. THEREFORE, A THOROUGH EVALUATION OF MOUNTING CONDITION IS REQUIRED PRIOR TO PRODUCTION. TEMPERATURE IS MEASURED AT CONTACT LEAD.
- 5 > PLEASE CONTACT US IN CASE YOU WILL MAKE DIFFERENT SETTINGS FROM OUR RECOMMENDATION.
- 6 . THIS PRODUCT SATISFIES HALOGEN FREE REQUIREMENTS DEFINED AS 900ppm MAXIMUM CHLORINE, 900ppm MAXIMUM BROMINE, AND 1500ppm MAXIMUM TOTAL OF CHLORINE AND BROMINE.
- 7 . THIS PRODUCT COMPLY WITH RoHS.

	DRAWING NO.	EDC3-633577-95	PART NO.	BK13C06-12DS/2-0.35V(895)
	SCALE	10:1	CODE NO	CL 6665-0061-0-895
UNITS	HRS HIROSE KOREA CO., LTD.			2/3

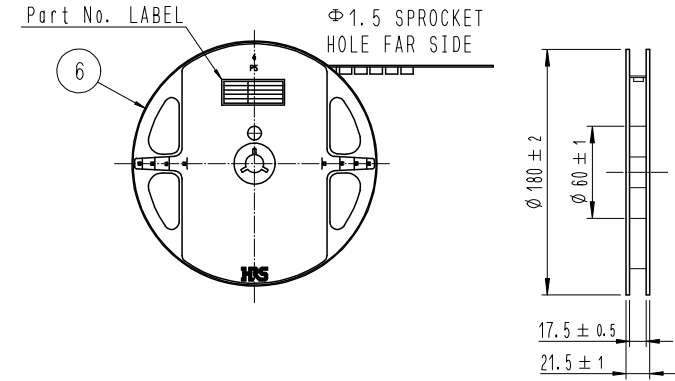
May.1.2023 Copyright 2023 HIROSE ELECTRIC CO., LTD. All Rights Reserved.
 use of consideration for using Automotive equipment / device which demand high reliability, kindly contact our sales window correspond

EMBOSSED CARRIER TAPE PACKAGING (5:1)

STYLE AND DIMENSION OF REEL (FREE)



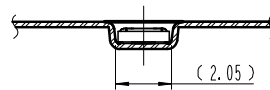
D-D (5:1)



DETAIL OF PART No. LABEL

SUPPLIER	
QUANTITY	
PART NO.	
CODE NO.	
DATE OF MANUFACTURED	
生産月日	年 月 日
図番	** ** *
品名	BK13C06-12DS/2-0.35V(895)
納入数量	1,000個
納入者	HIROSE KOREA

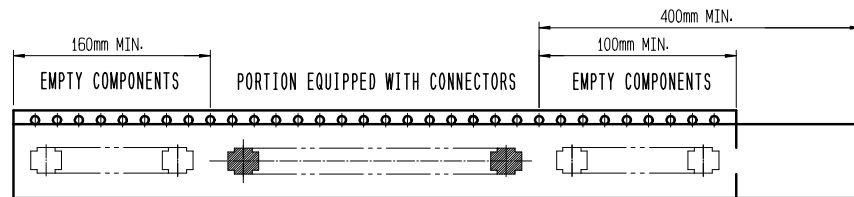
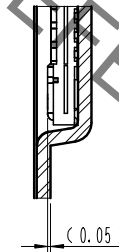
C-C (5:1)



DIRECTION OF UNREELING



E (10:1)



TAPING(FREE)

8 . PER REEL 1,000 CONNECTORS.

9 . THE DIMENSIONS IN PARENTHESES ARE FOR REFERENCE.

10 > REFER TO JIS C 0806, IEC-60286-3 (PACKAGING OF COMPONENTS FOR AUTOMATIC HANDLING)

DRAWING NO. EDC3-633577-95	PART NO. BK13C06-12DS/2-0.35V(895)	SCALE 10:1	UNITS mm	HIROSE KOREA CO., LTD.	CODE NO. CL 6665-0061-0-895	3/3