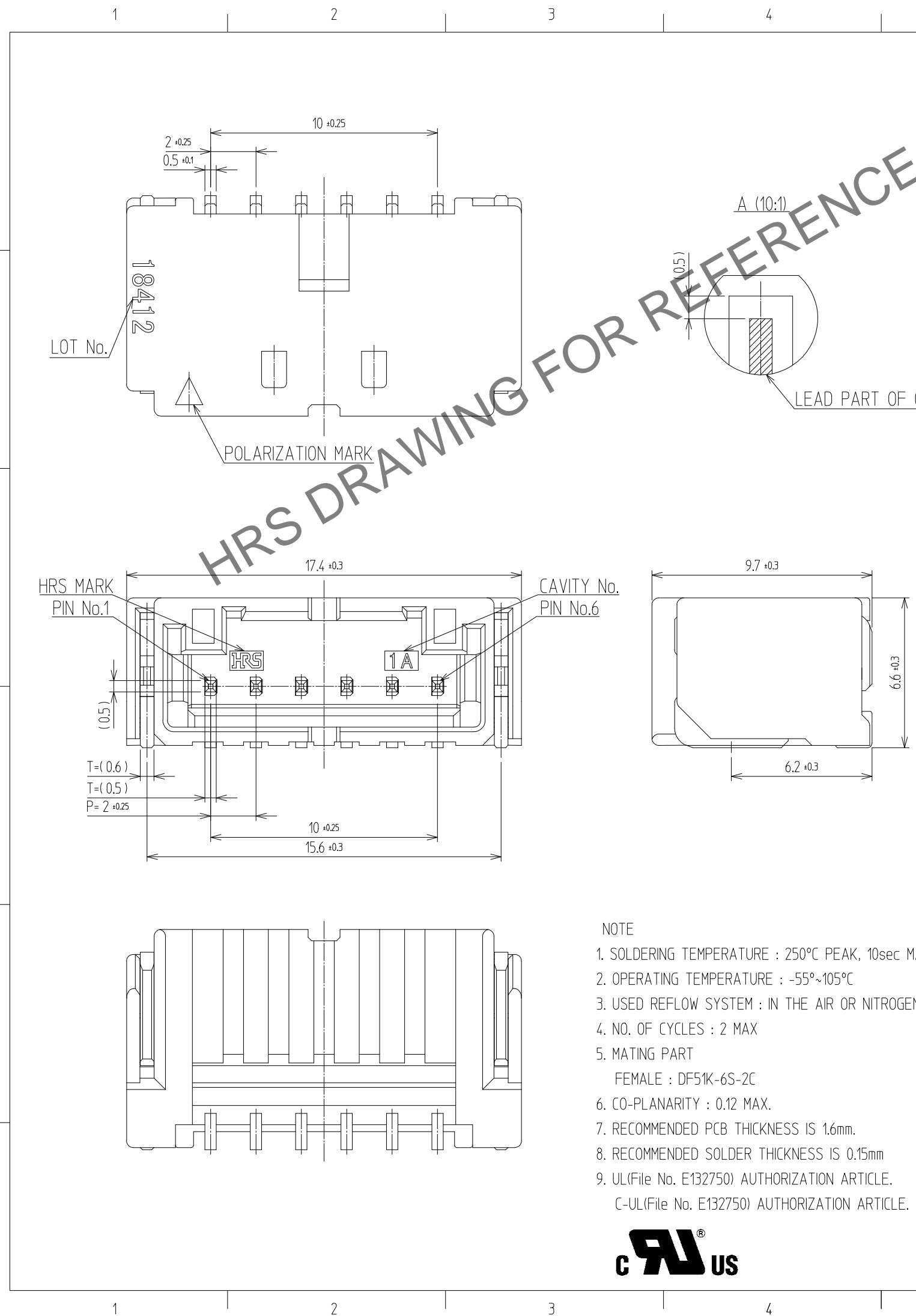
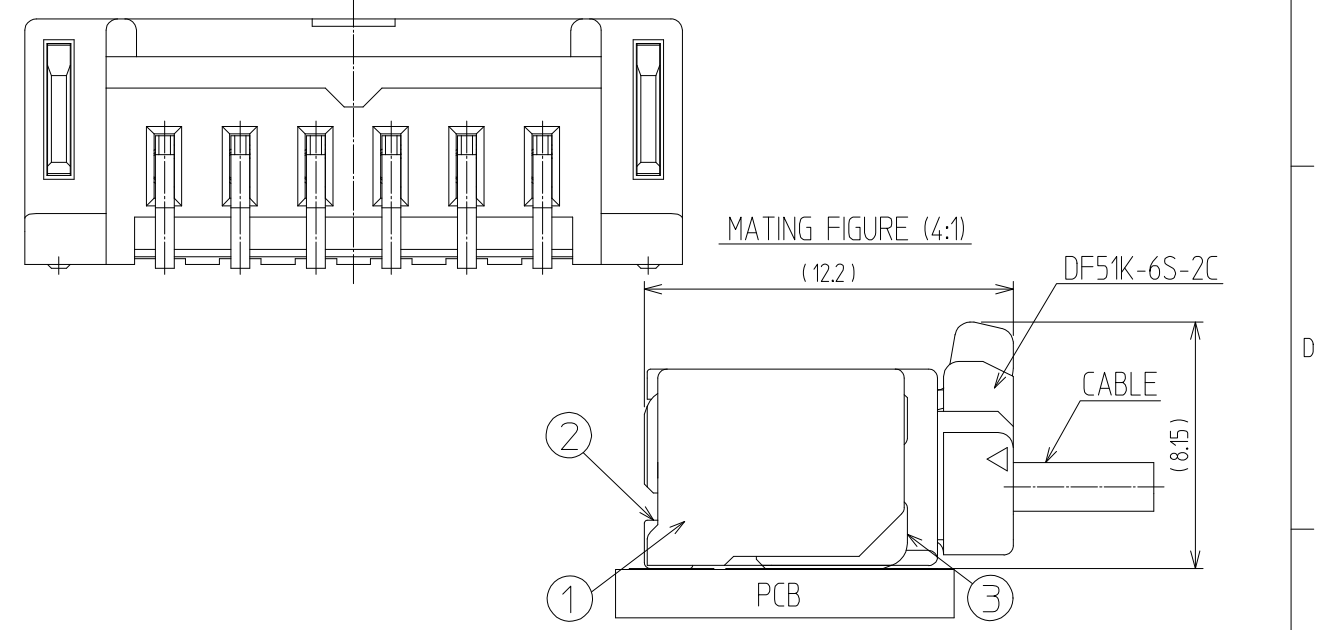
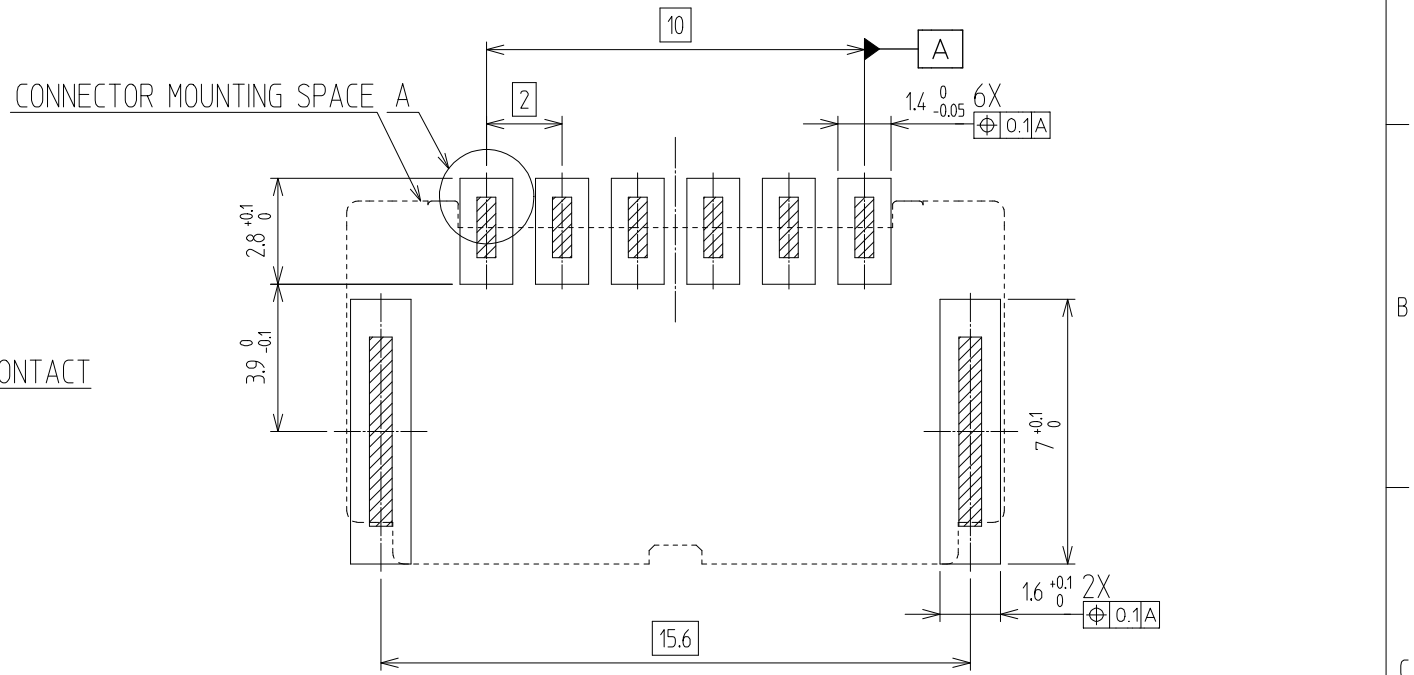


Jul.1.2024 Copyright 2024 HIROSE ELECTRIC CO., LTD. All Rights Reserved.
In case of consideration for using Automotive equipment / device which demand high reliability, kindly contact our sales window



| △數 COUNT | 訂正事項 DESCRIPTION OF REVISIONS | 擔當 B | 檢圖 CHKD | 年月日 DATE | △數 COUNT | 訂正事項 DESCRIPTION OF REVISIONS | 擔當 B | 檢圖 CHKD | 年月日 DATE |
|-------------|----------------------------------|---------|------------|-------------|-------------|----------------------------------|---------|------------|-------------|
| △ | | | | | △ | | | | |
| △ | | | | | △ | | | | |
| △ | | | | | △ | | | | |

RECOMMENDED PCB LAYOUT(Top-View)



- NOTE
- SOLDERING TEMPERATURE : 250°C PEAK, 10sec MAX.
 - OPERATING TEMPERATURE : -55°~105°C
 - USED REFLOW SYSTEM : IN THE AIR OR NITROGEN
 - NO. OF CYCLES : 2 MAX
 - MATING PART
FEMALE : DF51K-6S-2C
 - CO-PLANARITY : 0.12 MAX.
 - RECOMMENDED PCB THICKNESS IS 1.6mm.
 - RECOMMENDED SOLDER THICKNESS IS 0.15mm
 - UL(File No. E132750) AUTHORIZATION ARTICLE.
C-UL(File No. E132750) AUTHORIZATION ARTICLE.

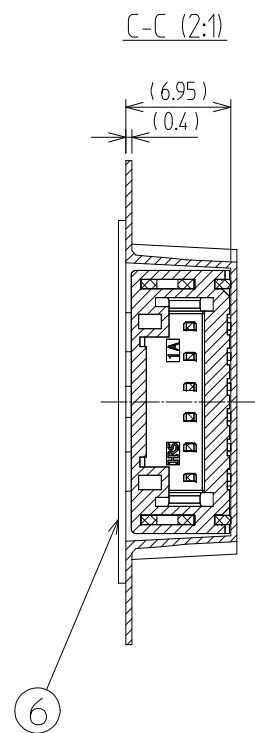
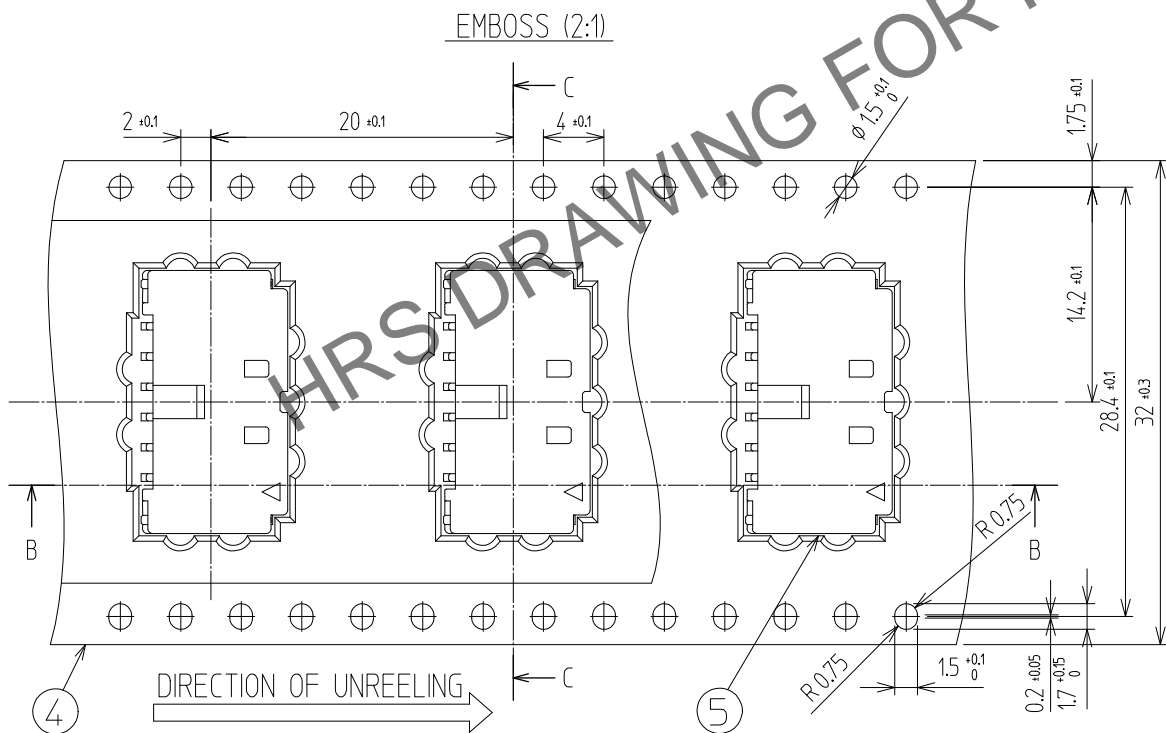


| | | | | | |
|-----------------------------|----------|--|--------------------------------|------------------------|---------------------------|
| 3 | BRASS | TIN PLATED : 1μm MIN UNDER PLATING : NICKEL 1μm MIN | 7 | PS | REEL BOBBIN |
| 2 | BRASS | TIN PLATED : 1μm MIN UNDER PLATING : NICKEL 1μm MIN | 6 | PET | COVER TAPE |
| 1 | LCP | BLACK | 5 | CONNECTOR | DF51K-6P-2H |
| | | | 4 | PS | EMBOSS CARRIER TAPE |
| NO. | MATERIAL | FINISH,REMARKS | NO. | MATERIAL | FINISH,REMARKS |
| CODE NO. (OLD) | | | DRAWN | DESIGNED | CHECKED |
| | | | CHO 22.04.20 J.S | CHO 22.04.20 J.S | LIM 22.04.20 S.M |
| | | | APPROVED | | RELEASED |
| | | | LIM 22.04.20 S.M | | ENG 2023.07.24 DEPT |
| DRAWING NO. EDC3-633490 | | | PART NO. DF51K-6P-2H(800) | | |
| SCALE 5:1 UNITS mm | | | CODE NO. CL 6652-0075-8-800 | | 1/2 |

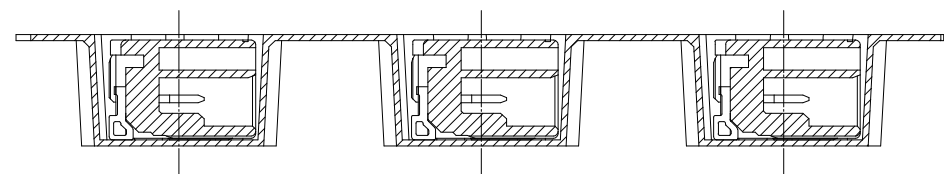
In case of consideration for using Automotive equipment / device which demand high reliability, kindly contact our sales window.

PACKING STYLE

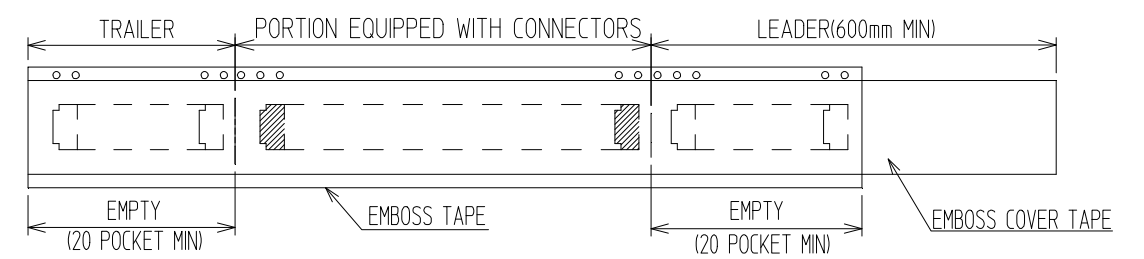
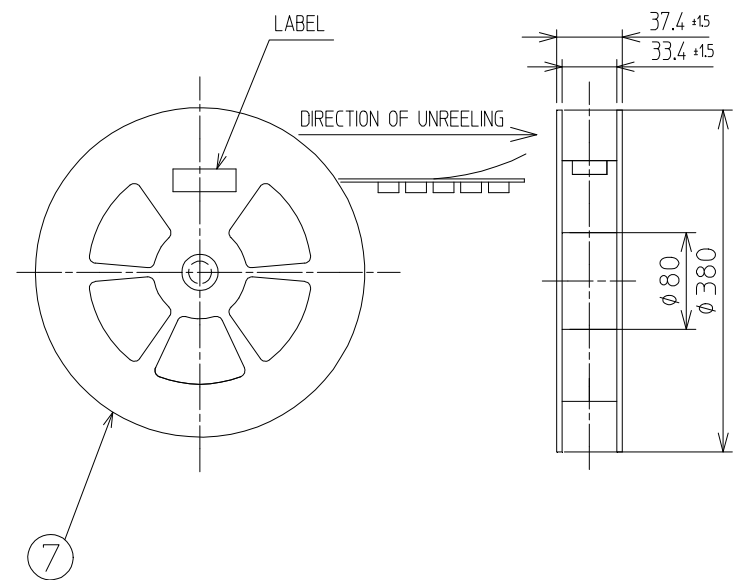
PACKING STYLE DRAWING



B-B (2:1)



REEL DIMENSION (FREE)



| △數 COUNT | 訂正事項 DISCRIPTION OF REVISIONS | 擔當 B | 檢圖 CHKD | 年月日 DATE | △數 COUNT | 訂正事項 DISCRIPTION OF REVISIONS | 擔當 B | 檢圖 CHKD | 年月日 DATE |
|-------------|----------------------------------|---------|------------|-------------|-------------|----------------------------------|---------|------------|-------------|
| △ | | | | .. | △ | | | | .. |
| △ | | | | .. | △ | | | | .. |
| △ | | | | .. | △ | | | | .. |

| | | | | |
|---------------------------------|----------------------------|------------------------------|-------------------------------|---------|
| SCALE 5:1 UNITS mm | DRAWING NO. EDC3-633490 | PART NO. DF51K-6P-2H(800) | CODE NO CL 6652-0075-8-800 | 2/2 |
| | HIROSE KOREA CO.,LTD. | | | |