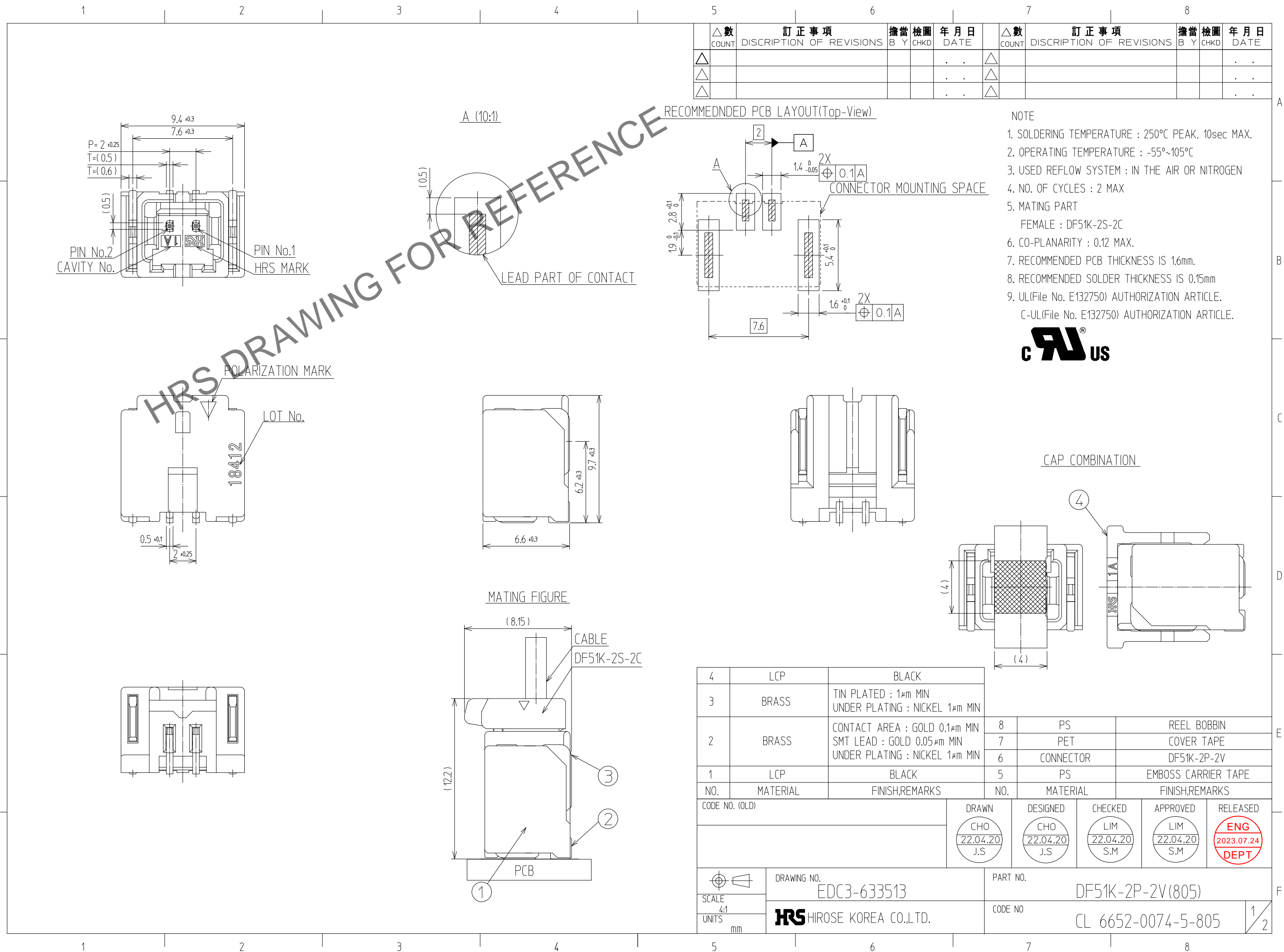


Mar.1.2025 Copyright 2025 HIROSE ELECTRIC CO., LTD. All Rights Reserved.
In case of consideration for using Automotive equipment / device which demand high reliability, kindly contact our sales window



NO.	MATERIAL	FINISH,REMARKS	NO.	MATERIAL	FINISH,REMARKS
4	LCP	BLACK	8	PS	REEL BOBBIN
3	BRASS	TIN PLATED : 1μm MIN UNDER PLATING : NICKEL 1μm MIN	7	PET	COVER TAPE
2	BRASS	CONTACT AREA : GOLD 0.1μm MIN SMT LEAD : GOLD 0.05μm MIN UNDER PLATING : NICKEL 1μm MIN	6	CONNECTOR	DF51K-2P-2V
1	LCP	BLACK	5	PS	EMBOSS CARRIER TAPE

CODE NO. (OLD)	DRAWN	DESIGNED	CHECKED	APPROVED	RELEASED
	CHO 22.04.20 J.S	CHO 22.04.20 J.S	LIM 22.04.20 S.M	LIM 22.04.20 S.M	ENG 2023.07.24 DEPT

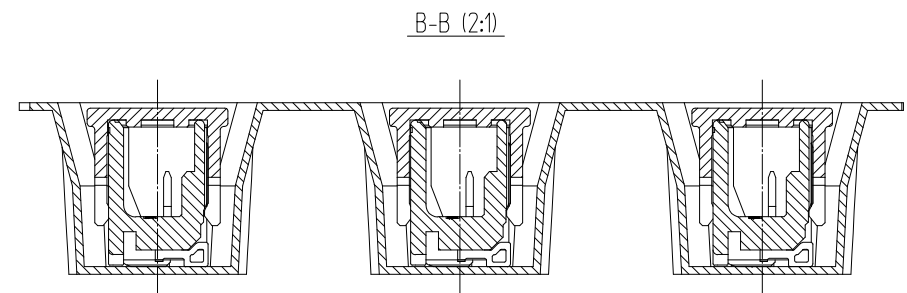
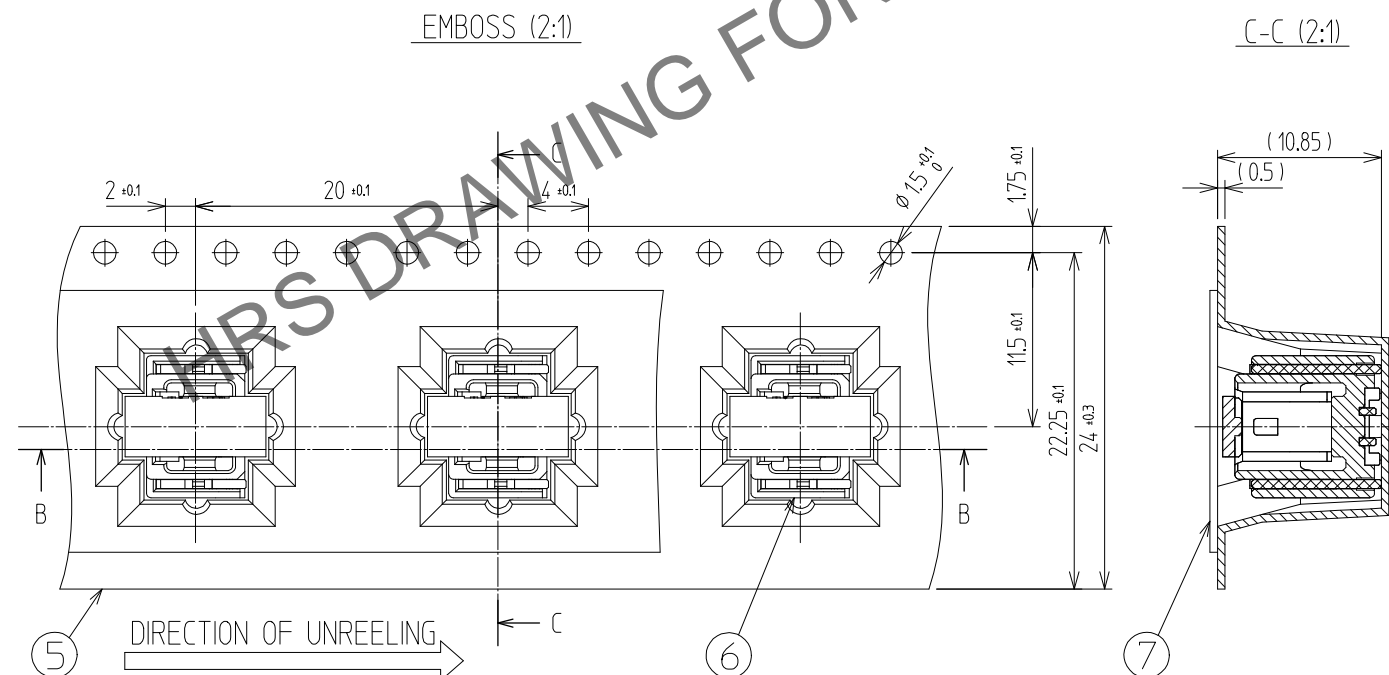
SCALE 4:1 UNITS mm	DRAWING NO. EDC3-633513 HRS HIROSE KOREA CO.,LTD.	PART NO. DF51K-2P-2V(805)	CODE NO CL 6652-0074-5-805	1/2
-----------------------------	---	------------------------------	-------------------------------	-----

HRS DRAWING FOR REFERENCE

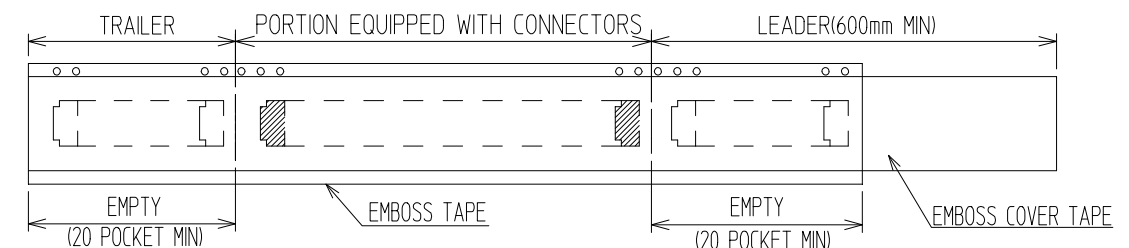
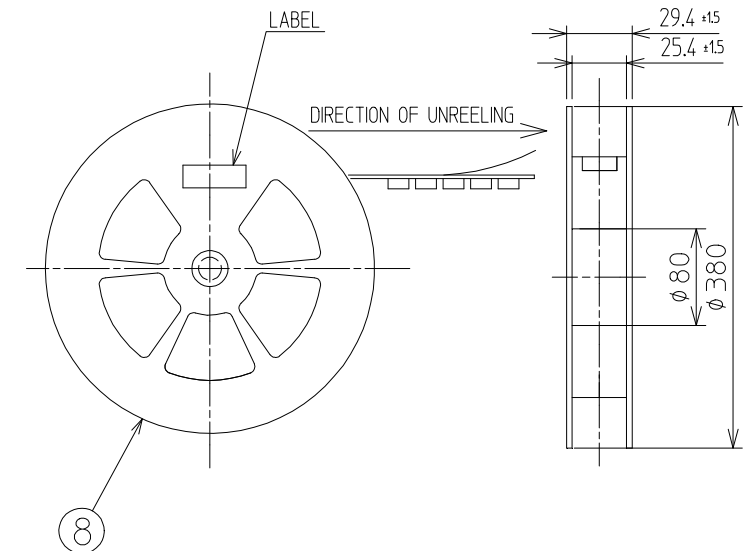
Mar. 1. 2025 Copyright 2025 HIROSE ELECTRIC CO., LTD. All Rights Reserved.
In case of consideration for using Automotive equipment / device which demand high reliability, kindly contact our sales window

PACKING STYLE

PACKING STYLE DRAWING



REEL DIMENSION (FREE)



△數 COUNT	訂正事項 DISCRIPTION OF REVISIONS	擔當 B	檢圖 CHKD	年月日 DATE	△數 COUNT	訂正事項 DISCRIPTION OF REVISIONS	擔當 B	檢圖 CHKD	年月日 DATE
△				..	△				..
△				..	△				..
△				..	△				..

 SCALE 4:1 UNITS mm	DRAWING NO. EDC3-633513	PART NO. DF51K-2P-2V(805)	2/2
	 HIROSE KOREA CO.,LTD.	CODE NO CL 6652-0074-5-805	