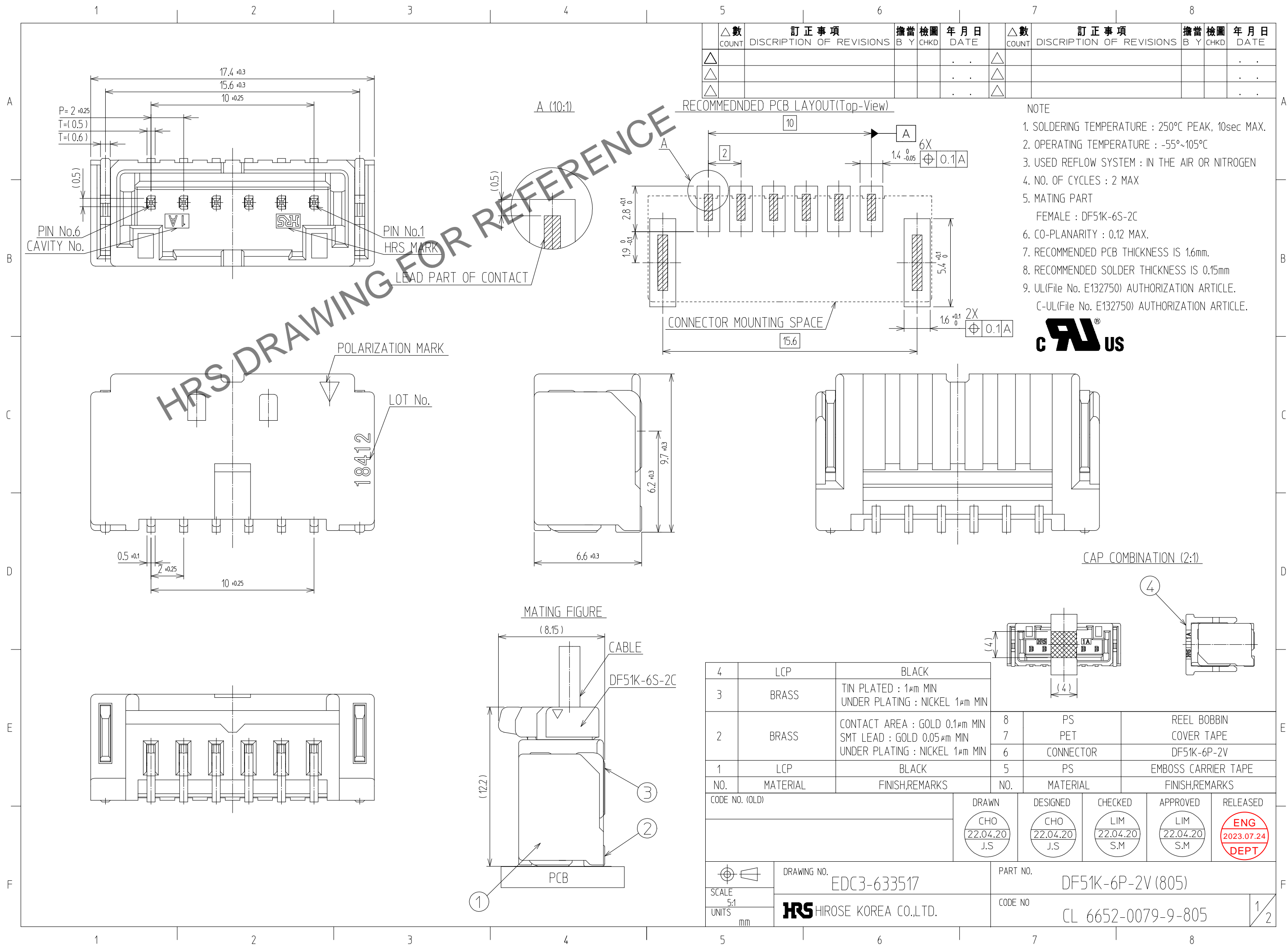
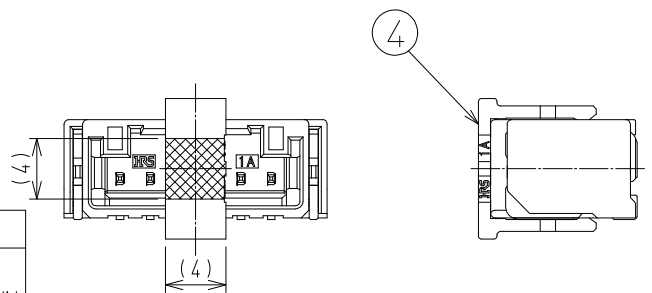
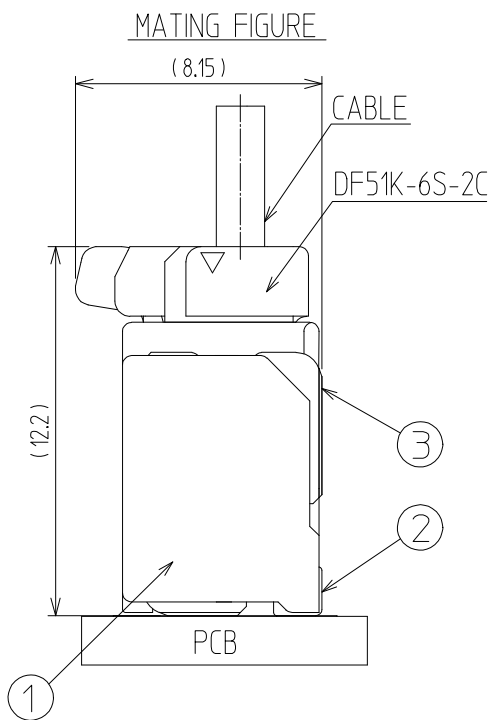


In case of consideration for using Automotive equipment / device which demand high reliability, kindly contact our sales window.



4	LCP	BLACK	8	PS	REEL BOBBIN
3	BRASS	TIN PLATED : 1μm MIN UNDER PLATING : NICKEL 1μm MIN	7	PET	COVER TAPE
2	BRASS	CONTACT AREA : GOLD 0.1μm MIN SMT LEAD : GOLD 0.05μm MIN UNDER PLATING : NICKEL 1μm MIN	6	CONNECTOR	DF51K-6P-2V
1	LCP	BLACK	5	PS	EMBOSS CARRIER TAPE
NO.	MATERIAL	FINISH,REMARKS	NO.	MATERIAL	FINISH,REMARKS
CODE NO. (OLD)			DRAWN	DESIGNED	CHECKED
			CHO 22.04.20 J.S	CHO 22.04.20 J.S	LIM 22.04.20 S.M
DRAWING NO. EDC3-633517			PART NO. DF51K-6P-2V (805)		
SCALE 5:1 UNITS mm			CODE NO. CL 6652-0079-9-805		
HRS HIROSE KOREA CO.,LTD.			1/2		



HRS DRAWING FOR REFERENCE

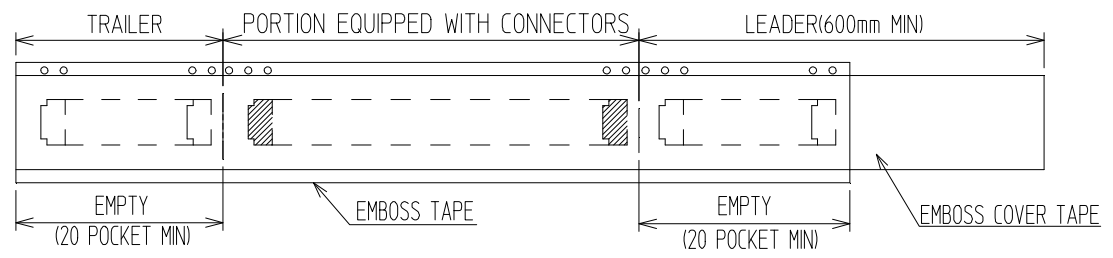
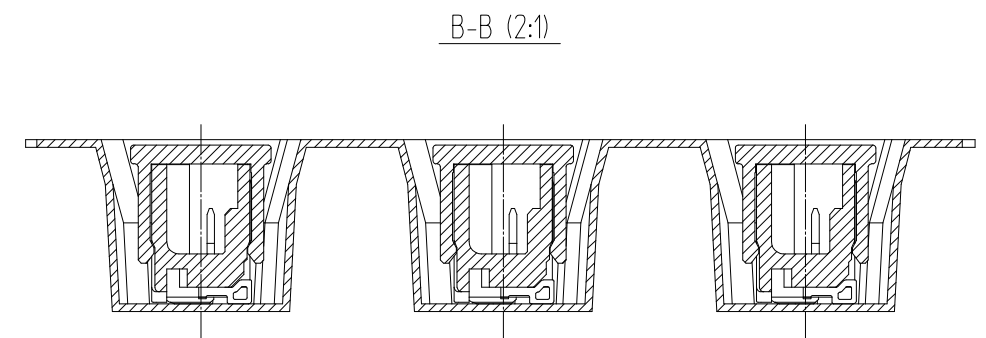
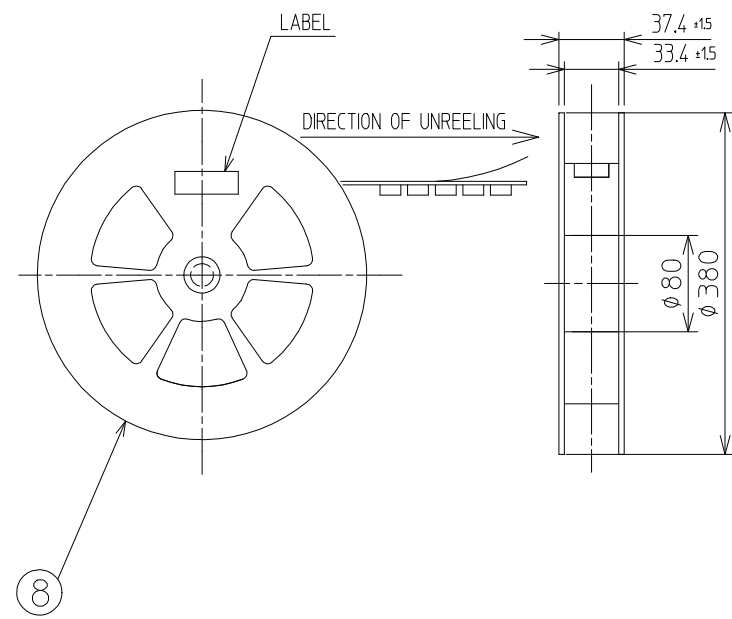
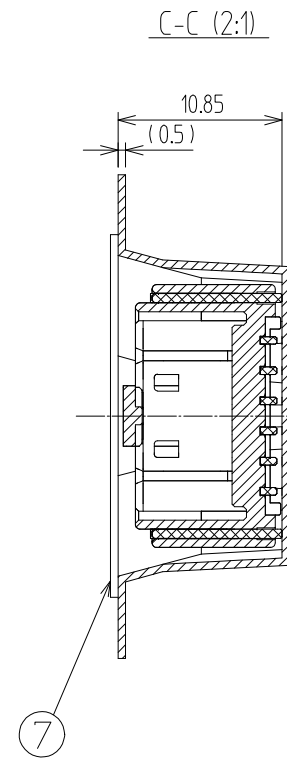
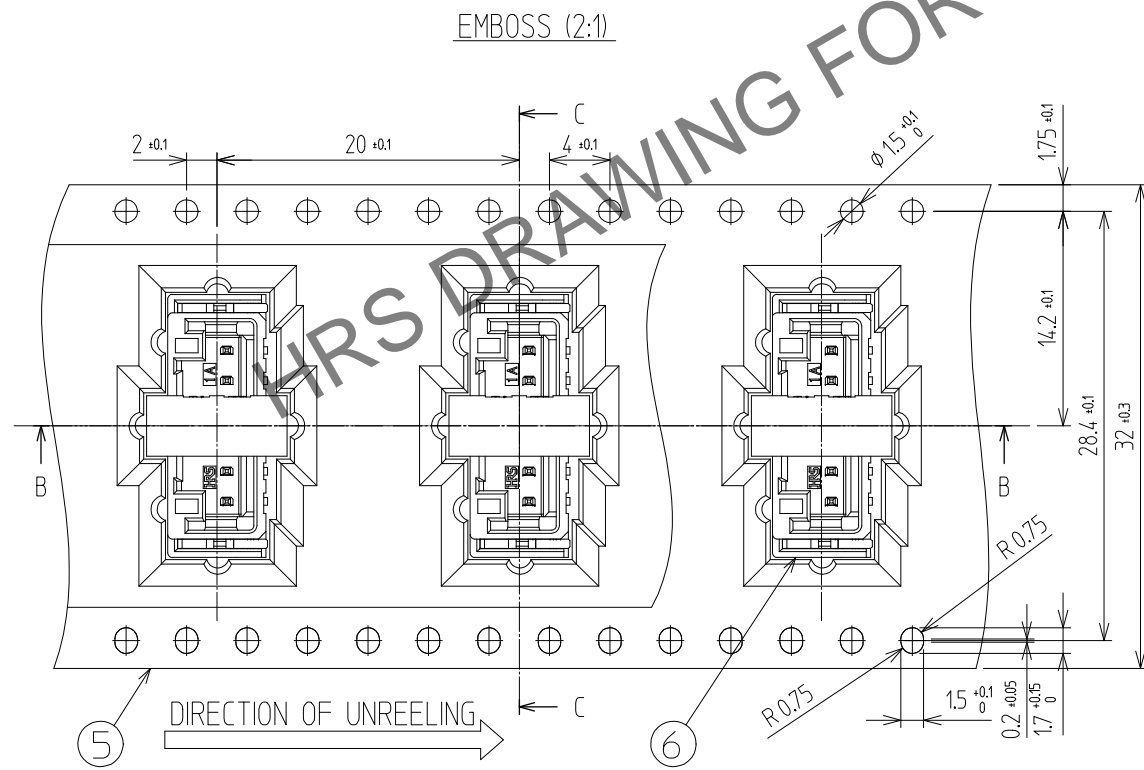
Jul.1.2024 Copyright 2024 HIROSE ELECTRIC CO., LTD. All Rights Reserved.  
In case of consideration for using Automotive equipment / device which demand high reliability, kindly contact our sales window

△數 COUNT	訂正事項 DISCRIPTION OF REVISIONS	擔當 B	檢圖 Y	年月日 DATE	△數 COUNT	訂正事項 DISCRIPTION OF REVISIONS	擔當 B	檢圖 Y	年月日 DATE
△				..	△				..
△				..	△				..
△				..	△				..

PACKING STYLE

PACKING STYLE DRAWING

REEL DIMINTSION (FREE)



 SCALE 5:1 UNITS mm	DRAWING NO. EDC3-633517	PART NO. DF51K-6P-2V (805)	<div style="text-align: right;">2/2</div>
	HIROSE KOREA CO.,LTD.	CODE NO. CL 6652-0079-9-805	