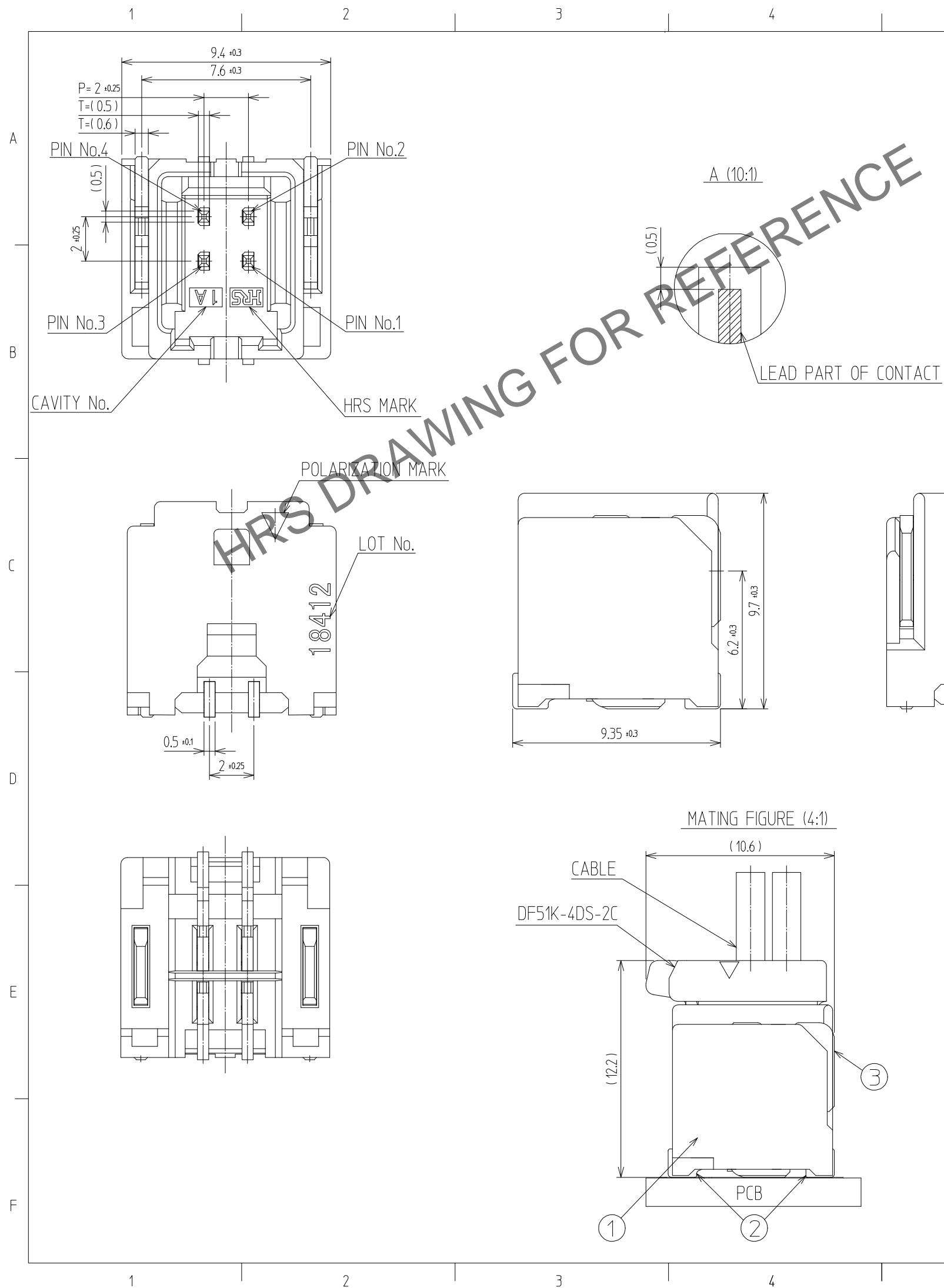
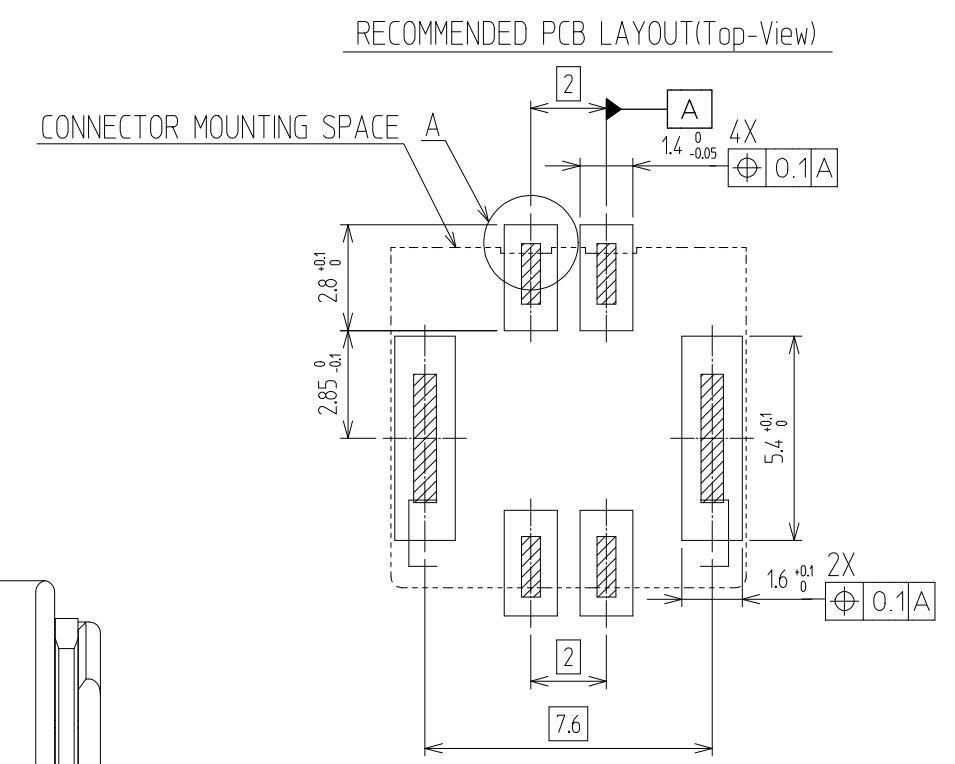


In case of consideration for using Automotive equipment / device which demand high reliability, kindly contact our sales window.



△數 COUNT	訂正事項 DESCRIPTION OF REVISIONS	擔當 B	檢圖 CHKD	年月日 DATE	△數 COUNT	訂正事項 DESCRIPTION OF REVISIONS	擔當 B	檢圖 CHKD	年月日 DATE
△					△				
△					△				
△					△				



- NOTE**
- SOLDERING TEMPERATURE : 250°C PEAK, 10sec MAX.
  - OPERATING TEMPERATURE : -55°~105°C
  - USED REFLOW SYSTEM : IN THE AIR OR NITROGEN
  - NO. OF CYCLES : 2 MAX
  - MATING PART  
FEMALE : DF51K-4DS-2C
  - CO-PLANARITY : 0.12 MAX.
  - RECOMMENDED PCB THICKNESS IS 1.6mm.
  - RECOMMENDED SOLDER THICKNESS IS 0.15mm

NO.	MATERIAL	FINISH,REMARKS	NO.	MATERIAL	FINISH,REMARKS
4	LCP	BLACK	8	PS	REEL BOBBIN
3	BRASS	TIN PLATED : 1~5 μm UNDER PLATING : NICKEL 1~4 μm	7	PET	COVER TAPE
2	BRASS	TIN PLATED : 1~5 μm UNDER PLATING : NICKEL 1~4 μm	6	CONNECTOR	DF51K-4DP-2V
1	LCP	BLACK	5	PS	EMBOSS CARRIER TAPE

CODE NO. (OLD)	DRAWN	DESIGNED	CHECKED	APPROVED	RELEASED
	CHO 22.04.20 J.S	CHO 22.04.20 J.S	LIM 22.04.20 S.M	LIM 22.04.20 S.M	ENG 23.02.09 DEPT

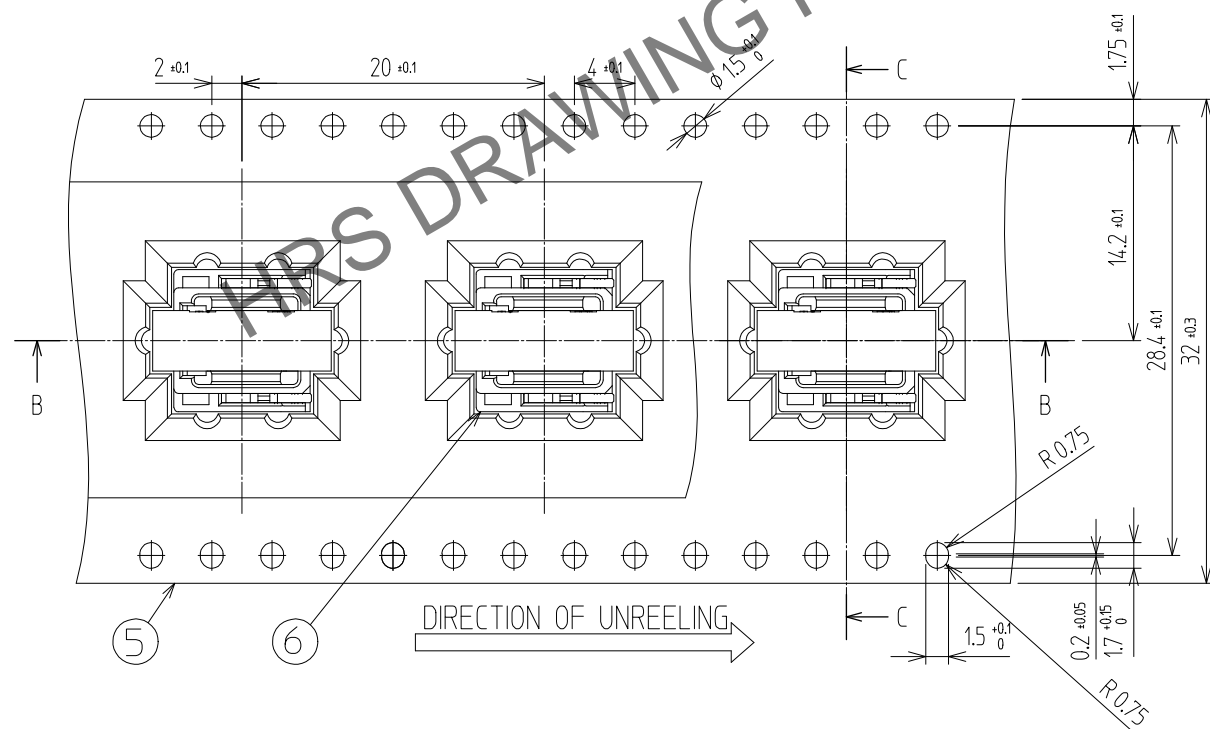
SCALE 5:1 UNITS mm	DRAWING NO. EDC3-633518	PART NO. DF51K-4DP-2V(800)
	<b>HRS</b> HIROSE KOREA CO.,LTD.	CODE NO CL 6652-0076-0-800

In case of consideration for using Automotive equipment / device which demand high reliability, kindly contact our sales window.

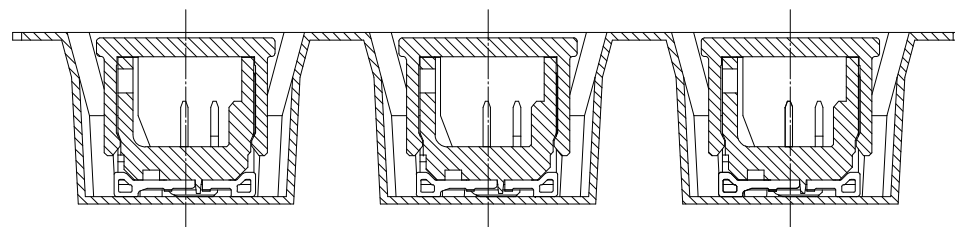
# PACKING STYLE

## PACKING STYLE DRAWING

EMBOSS (2:1)



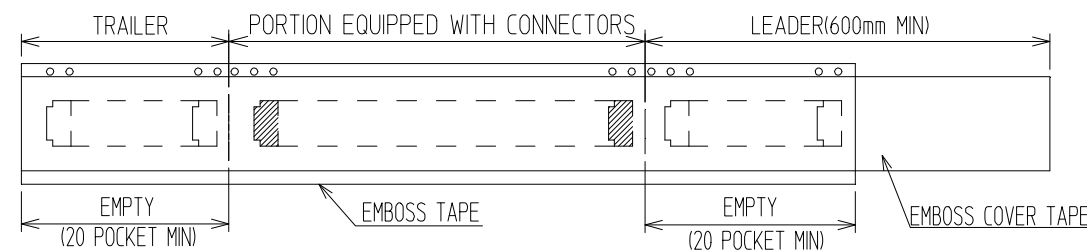
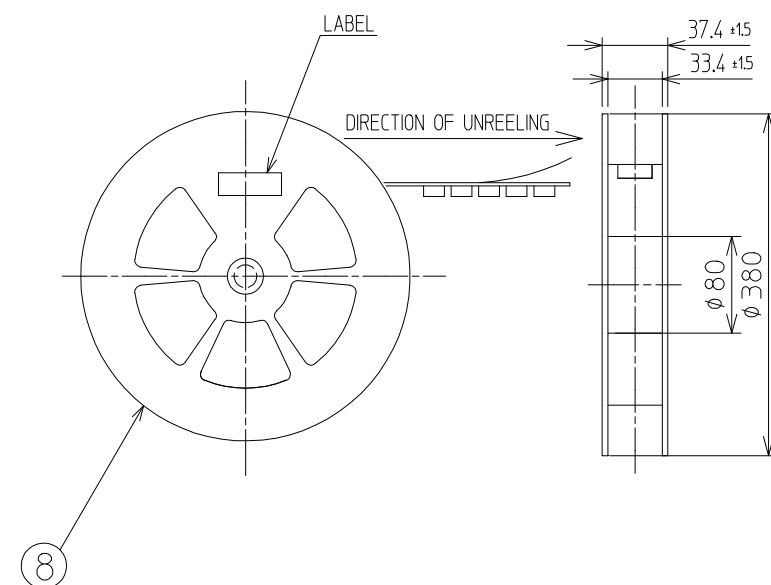
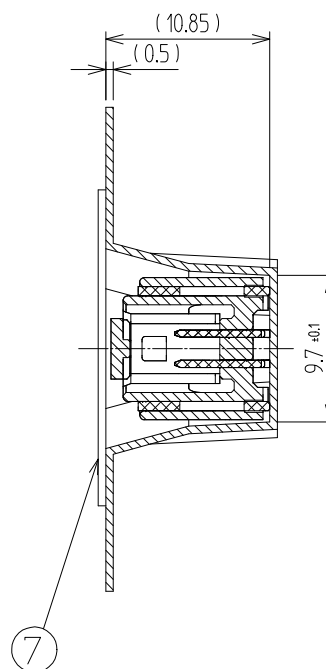
B-B (2:1)



△數 COUNT	訂正事項 DISCRIPTION OF REVISIONS	擔當 B	檢圖 Y	年月日 DATE	△數 COUNT	訂正事項 DISCRIPTION OF REVISIONS	擔當 B	檢圖 Y	年月日 DATE
△				..	△				..
△				..	△				..
△				..	△				..

## REEL DIMENTSION (FREE)

C-C (2:1)



 SCALE 5:1 UNITS mm	DRAWING NO. EDC3-633518	PART NO. DF51K-4DP-2V(800)	2/2
	 HIROSE KOREA CO.,LTD.	CODE NO CL 6652-0076-0-800	