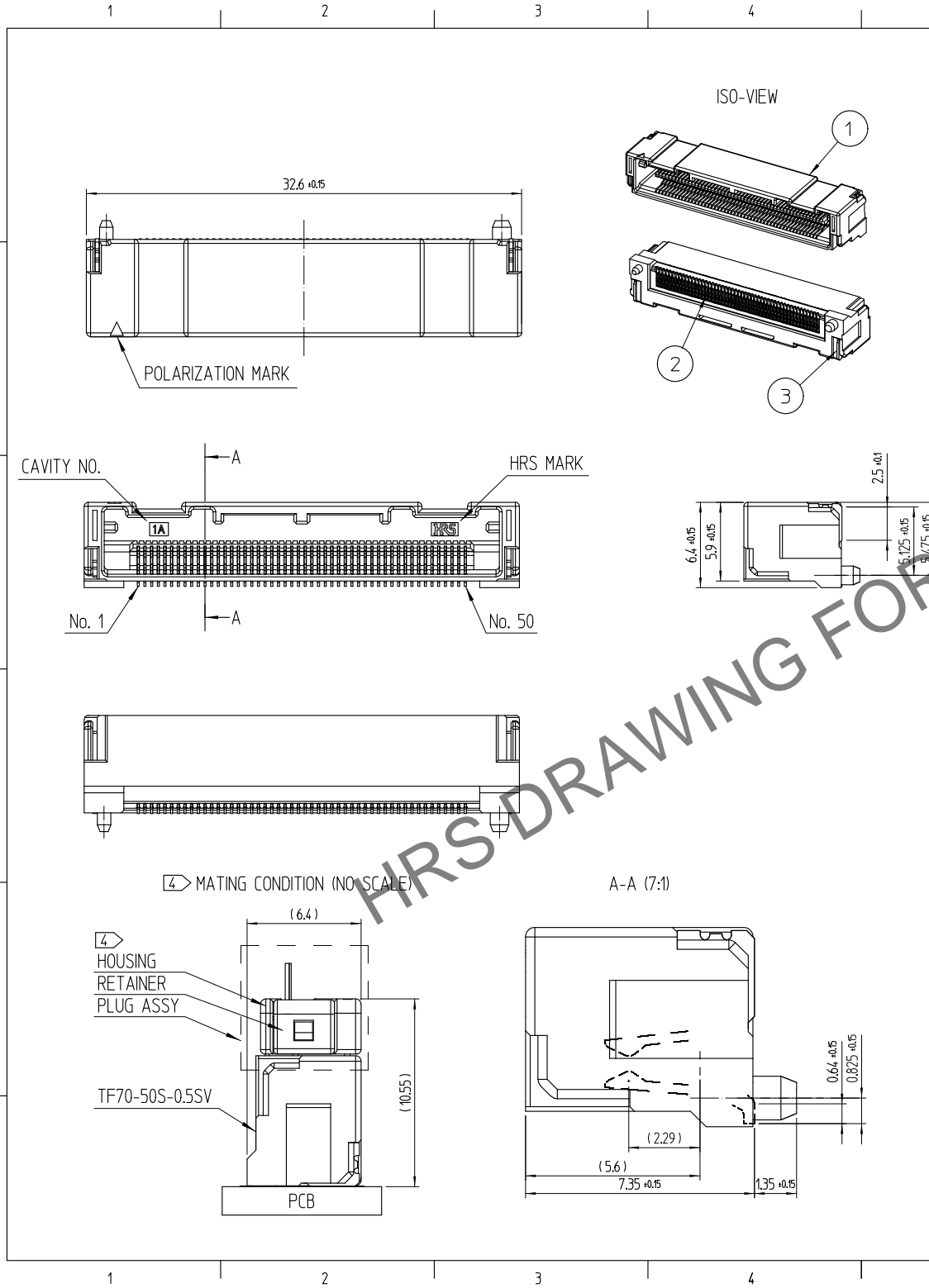
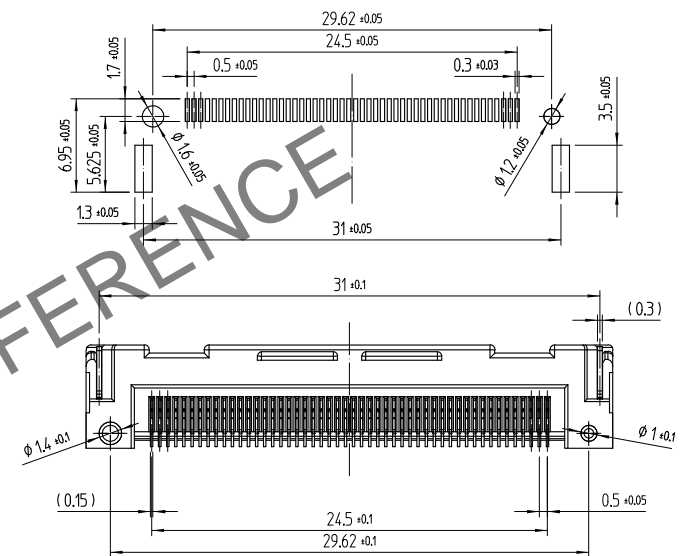


Dec. 1. 2024 Copyright 2024 HIROSE ELECTRIC CO., LTD. All Rights Reserved.
 use of consideration for using Automotive equipment / device which demand high reliability, kindly contact our sales window correspond



△數 COUNT	訂正事項 DESCRIPTION OF REVISIONS	擔當 B Y	檢圖 CHKD	年月日 DATE	△數 COUNT	訂正事項 DESCRIPTION OF REVISIONS	擔當 B Y	檢圖 CHKD	年月日 DATE
△					△				
△					△				
△					△				

RECOMMENDED LAND PATTERN, METAL MASK (NO SCALE)
 RECOMMENDED METAL MASK THICKNESS : 0.12 mm

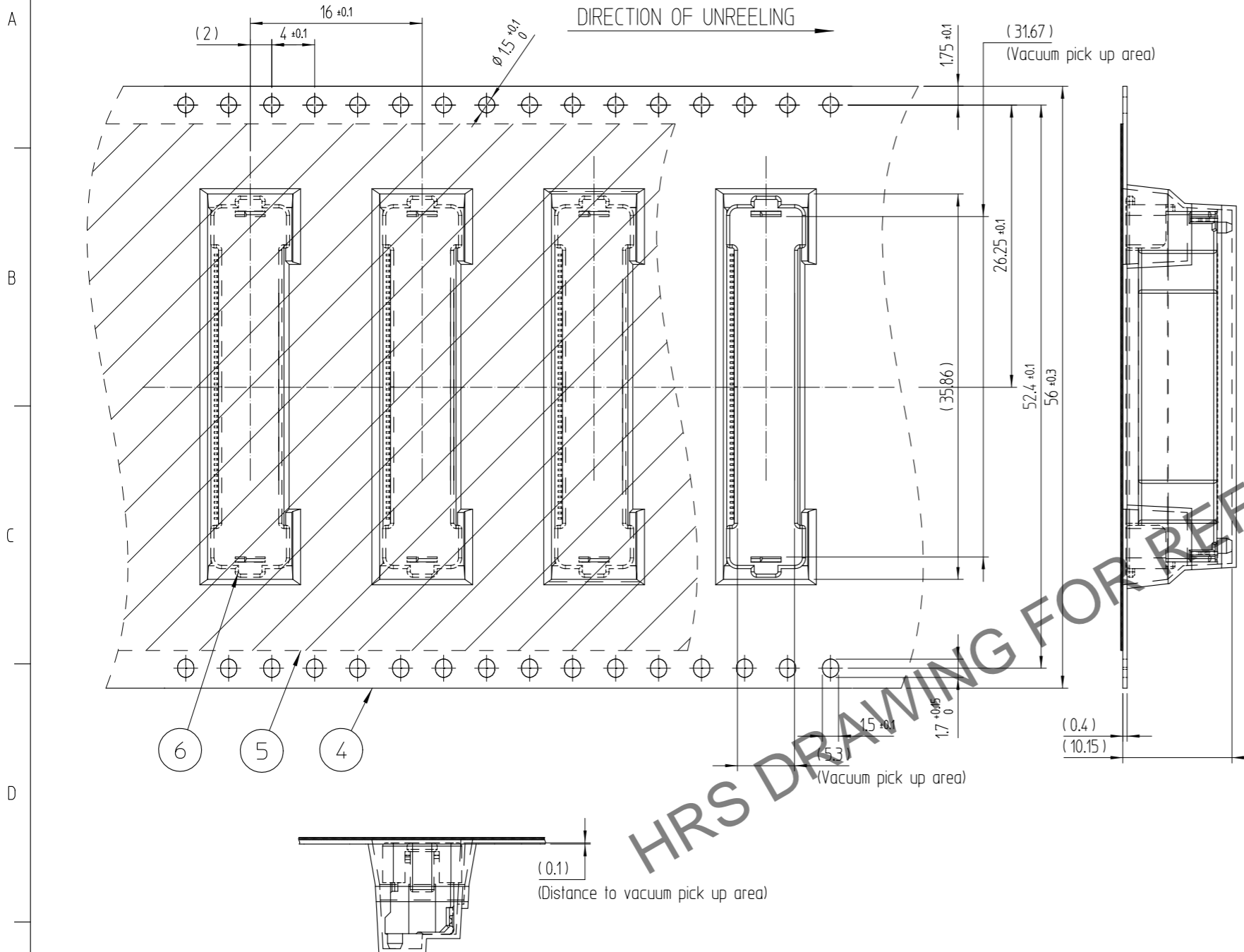


- NOTE
- 1 EMBOSSED PACKING QUANTITY : 500 EA
 - 2 LEAD CO-PLANARITY SHALL BE 0.1 MM MAX.
 - 3 CAP COMBINATION
 - 4 MATING CONDITION

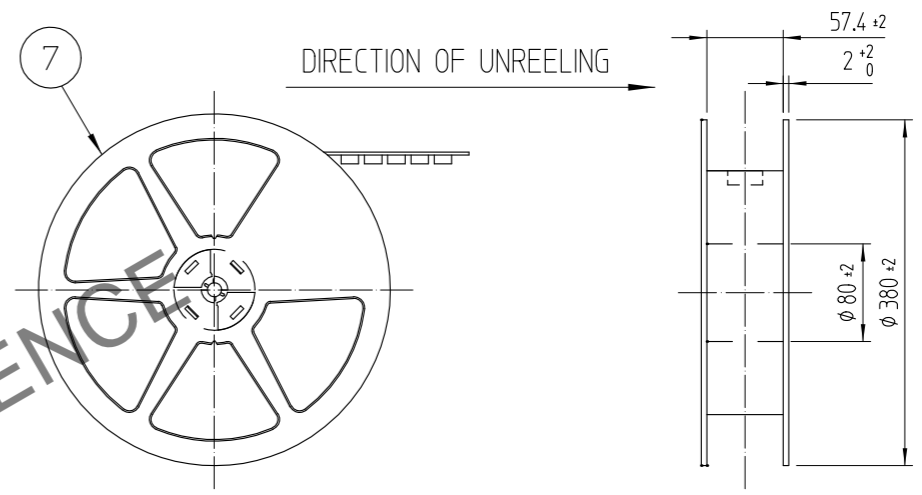
8	CAP	LCP	UL94V-0, BLACK		-		
7	REEL	PS	-		-		
6	CONNECTOR	-	-		-		
5	COVER TAPE	PET	-		-		
4	EMBOSS TAPE	PS	-		-		
3	METAL FITTING	BRASS	Sn 2.5 μm Min. over Ni 1.0~4.0 μm		-		
2	CONTACT	COPPER ALLOY	CONTACT AREA : Au 0.05 μm Min. over Ni 1.0~4.0 μm LEAD AREA : Au 0.05 μm Min. over Ni 1.0~4.0 μm OTHER : Ni 1.0~4.0 μm		-		
1	CASE	LCP	UL94V-0, BLACK		-		
NO.	DESCRIPTION	MATERIAL	FINISH			REMARKS	
CODE NO. (OLD)			DRAWN	DESIGNED	CHECKED	APPROVED	RELEASED
			G.Y.YOON 22.07.26	G.Y.YOON 22.07.26	D.H.CHO 22.07.26	D.H.CHO 22.07.26	ENG 24.01.09 DEPT
DRAWING NO. EDC3-633160-80			PART NO. TF70-50S-0.5SV(800)				
SCALE 3:1 UNITS mm			CODE NO. CL 6567-0002-5-800				
HRS HIROSE KOREA CO.,LTD.			1/2				

Dec.1.2024 Copyright 2024 HIROSE ELECTRIC CO., LTD. All Rights Reserved.
 In case of consideration for using Automotive equipment / device which demand high reliability, kindly contact our sales window correspondents.

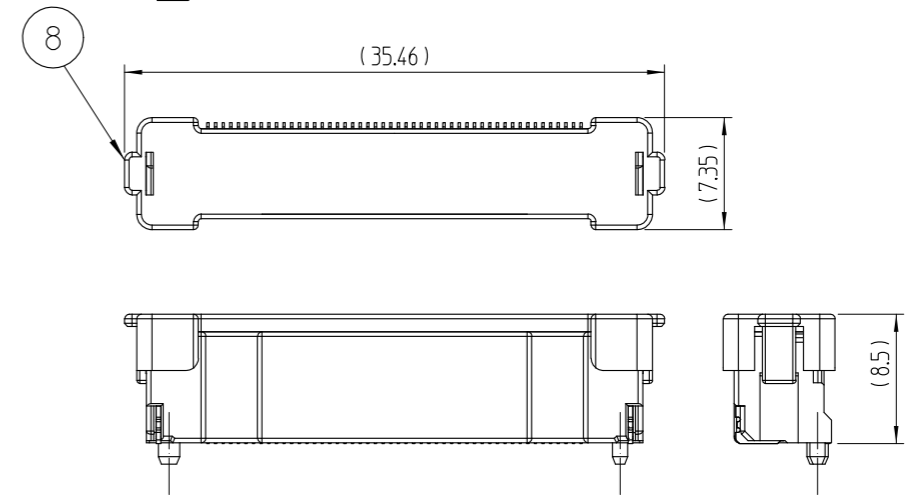
EMBOSSED CARRIER TAPE DIMENSION (2:1)



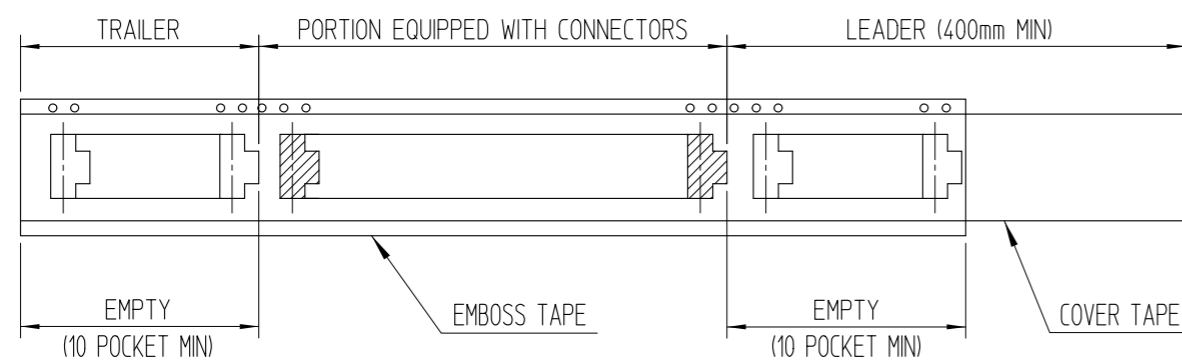
REEL DIMENSION (NO SCALE)



3 CAP COMBINATION (NO SCALE)



LEADER, TRAILER DIMENSION (NO SCALE)



ISO-VIEW

