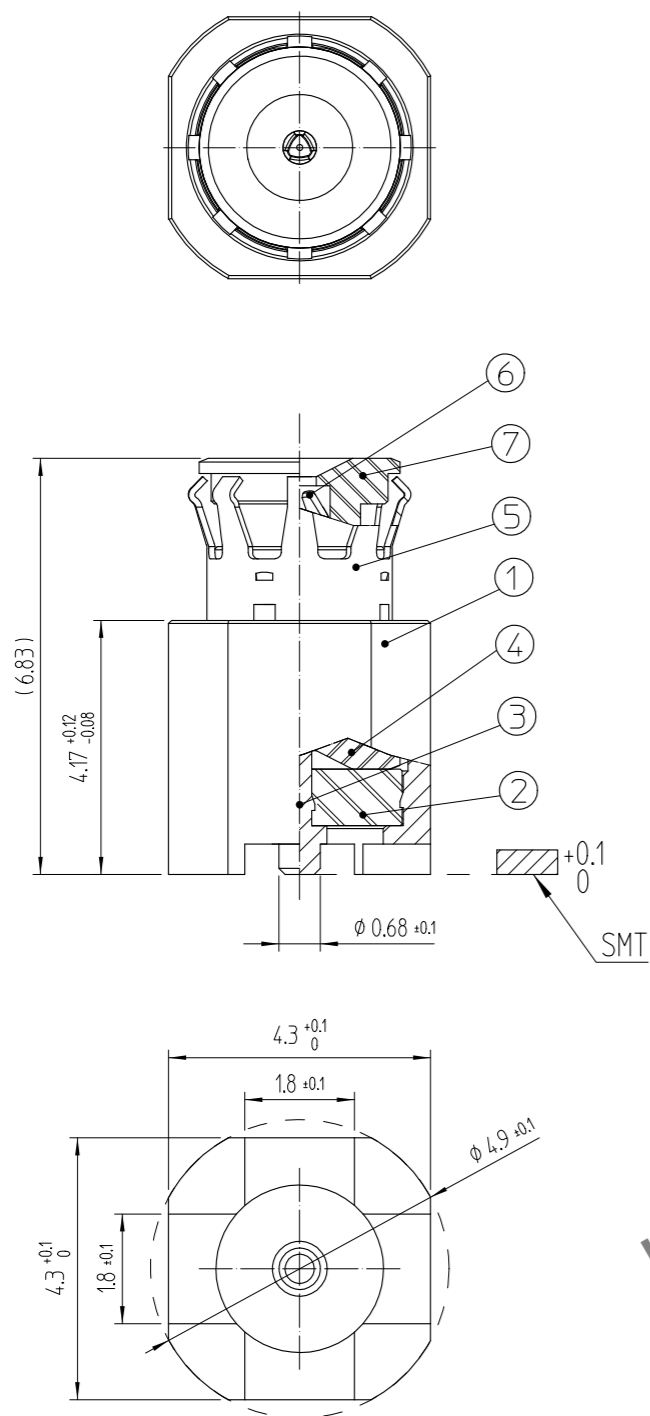
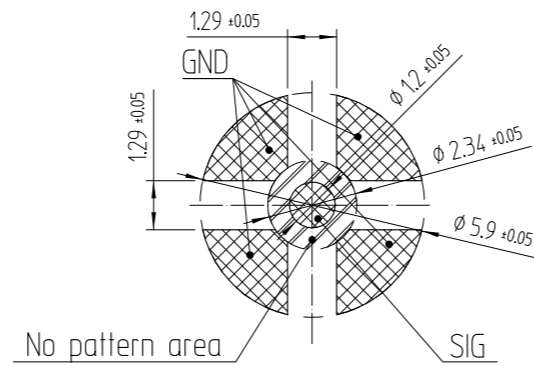


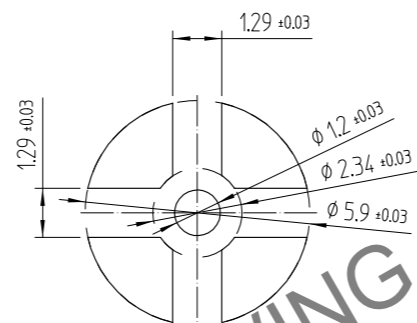
Mar.1.2026 Copyright 2026 HIROSE ELECTRIC CO., LTD. All Rights Reserved.
In case of consideration for using Automotive equipment / device which demand high reliability, kindly contact our sales window correspondents.



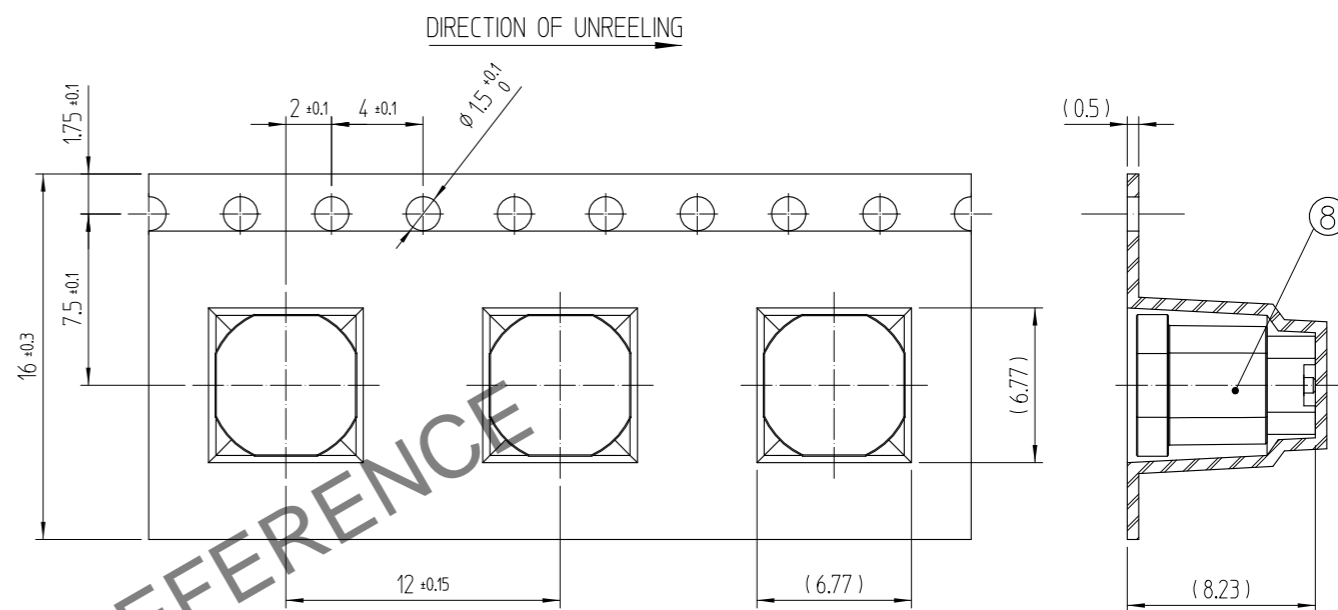
RECOMMENDED PCB PATTERN DRAWING(5:1)



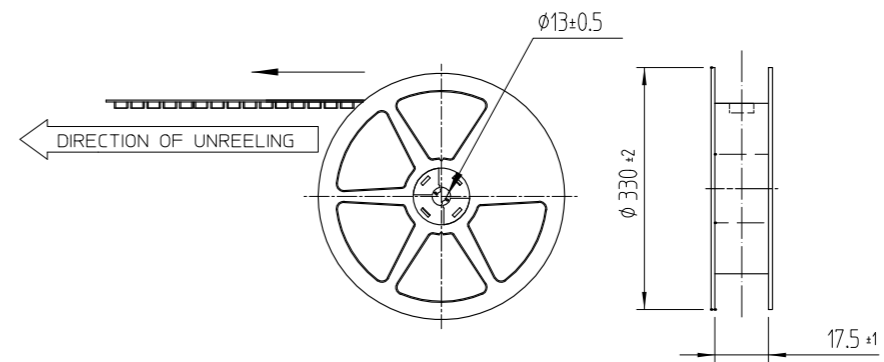
RECOMMENDED METAL MASK DRAWING(5:1)
[METAL MASK THICKNESS: t = 0.1]



EMBOSSED TAPING DRAWING(3:1)



REEL DRAWING(SCALE : FREE)



MATERIAL: PS(WHITE)

NOTE

1. THE QUANTITY OF POK22F-PR/A-SMT IS 500 PIECE PER REEL.
2. USE ALL PRODUCTS WITHIN 6 MONTHS AFTER THE DELIVERY.
STORE THEM IN MANUFACTURER'S PACKAGE OR TIGHTLY RE-CLOSED BOX WITH THE FOLLOWING CONDITIONS, CHECK THE TERMINAL SOLDERABILITY BEFORE USE IF THE PRODUCT HAS BEEN STORED FOR MORE THAN 6 MONTHS.
TEMPERATURE : -10°C TO +50°C
HUMIDITY : 15 TO 85% RH.

△數 COUNT	訂正事項 DESCRIPTION OF REVISIONS	擔當 B	檢圖 CHKD	年月日 DATE	△數 COUNT	訂正事項 DESCRIPTION OF REVISIONS	擔當 B	檢圖 CHKD	年月日 DATE
△					△				
△					△				
△					△				

7	NYLON	UL94V-0, BLACK	8	NYLON	UL94V-0, BLACK
5	TITANIUM COPPER	NICKEL PLATING	6	TITANIUM COPPER	NICKEL + GOLD PLATING
3	BERYLLIUM COPPER	NICKEL + GOLD PLATING	4	NYLON	UL94V-0, BLACK
1	BRASS	NICKEL + GOLD PLATING	2	NYLON	UL94V-0, BLACK
NO.	MATERIAL	FINISH,REMARKS	NO.	MATERIAL	FINISH,REMARKS
CODE NO. (OLD)			DRAWN	DESIGNED	CHECKED
			G.S.CHOI	G.S.CHOI	B.H.AN
			23.10.05	23.10.05	23.10.05
			APPROVED	RELEASED	
			B.H.AN	B.H.AN	ENG
			23.10.05	23.10.05	23.12.27
			DEPT		
DRAWING NO.			PART NO.		
EDC3-634167			POK22F-PR/A-SMT(800)		
SCALE			CODE NO.		
8:1			CL 6341-0022-3-800		
UNITS			1		
mm			2		

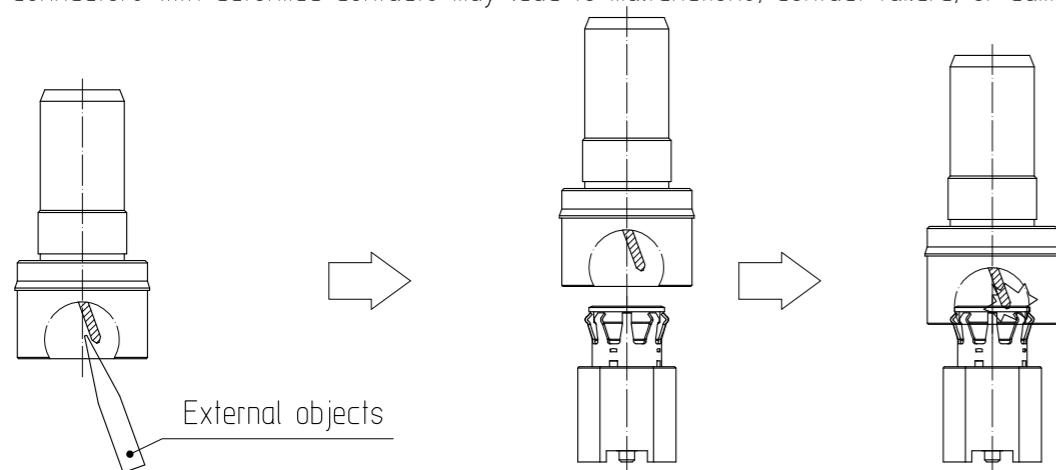
Mar.1.2026 Copyright 2026 HIROSE ELECTRIC CO., LTD. All Rights Reserved.
In case of consideration for using Automotive equipment / device which demand high reliability, kindly contact our sales window correspondents.

※ Handling Notice

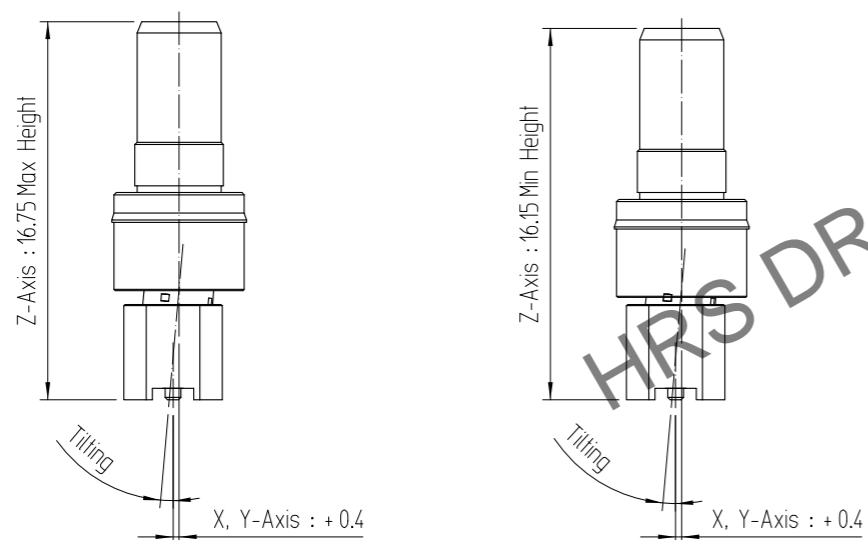
POK22F-PR/A-SMT & POK22F-SMBP-1

(Scale : Free)

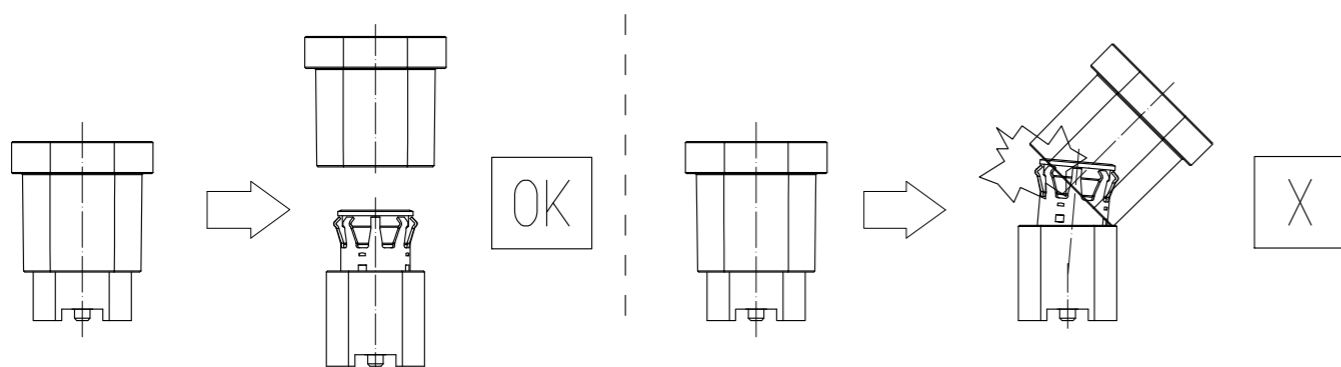
① Please be careful to avoid contact deformation due to external objects. Mating the connectors with deformed contacts may lead to malfunctions, contact failure, or damage to both parts.



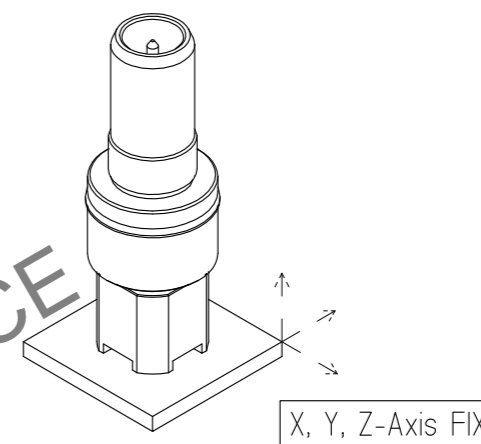
② The operating range for the POK22F is as follows. Using it beyond this range could cause damage.



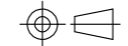
③ To remove the cap from the receptacle, pull it straight out, perpendicular to the connector's mounted surface. Diagonal removal may cause the adapter (operating part) to tilt beyond its specified range, potentially damaging the product.



④ Using the product without securing the board may overload the connector, leading to damage or contact failure. Ensure the board is firmly secured to prevent movement.



HRS DRAWING FOR REFERENCE

 SCALE 8:1 UNITS mm	DRAWING NO. EDC3-634167	PART NO. POK22F-PR/A-SMT(800)
	HRS HIROSE KOREA CO.,LTD.	CODE NO. CL 6341-0022-3-800