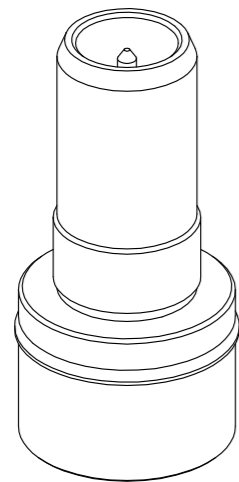
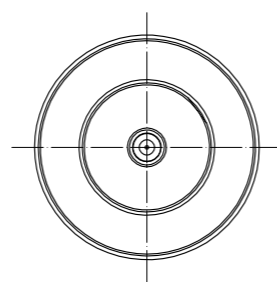
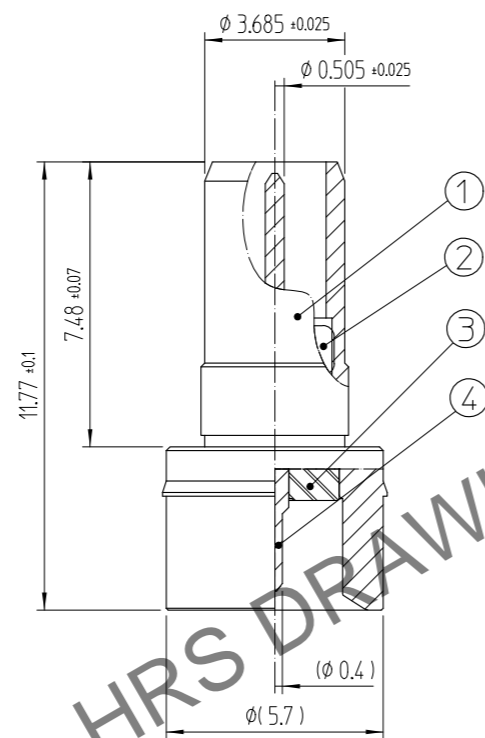
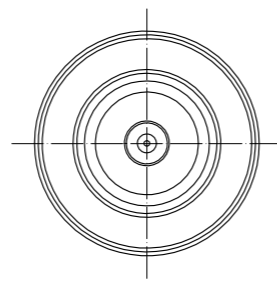


Mar.1.2026 Copyright 2026 HIROSE ELECTRIC CO., LTD. All Rights Reserved.
In case of consideration for using Automotive equipment / device which demand high reliability, kindly contact our sales window correspondents.



ISO VIEW



△數 COUNT	訂正事項 DESCRIPTION OF REVISIONS	擔當 B	檢圖 Y	年月日 DATE	△數 COUNT	訂正事項 DESCRIPTION OF REVISIONS	擔當 B	檢圖 Y	年月日 DATE
△					△				
△					△				
△					△				

HRS DRAWING FOR REFERENCE

NOTE

- The quantity of POK22F-SMBP-1 is 200 piece per pack.
- ② The assembly dimensions of POK22F-SMBP-1 and REAR BODY shall follow the Marked part
- Other requirements should be discussed with the designer.
- Please use up all products within 6 months of delivery.
The storage conditions shall be as follows.
TEMPERATURE : -10°C TO +50°C
HUMIDITY : 15 TO 85% RH.

3	NYLON	UL94V-0, BLACK	4	BERYLLIUM COPPER	NICKEL +GOLD PLATING
1	BRASS	NICKEL PLATING	2	SILICONE	UL94HB, BROWN
NO.	MATERIAL	FINISH,REMARKS	NO.	MATERIAL	FINISH,REMARKS
CODE NO. (OLD)			DRAWN	DESIGNED	CHECKED
			G.S.CHOI	G.S.CHOI	B.H.AN
			23.10.05	23.10.05	23.10.05
			APPROVED	RELEASED	
			B.H.AN		ENG
			23.10.05		23.12.27
					DEPT
DRAWING NO. EDC3-634151			PART NO. POK22F-SMBP-1(800)		
SCALE 5:1			CODE NO. CL 6301-4036-0-800		
UNITS mm			1/3		
HRS HIROSE KOREA CO.,LTD.					

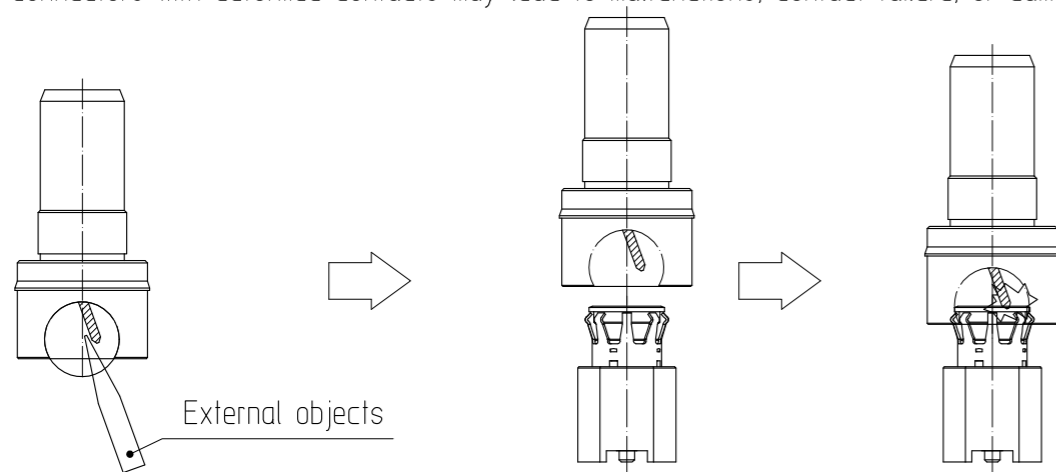
Mar.1.2026 Copyright 2026 HIROSE ELECTRIC CO., LTD. All Rights Reserved.
In case of consideration for using Automotive equipment / device which demand high reliability, kindly contact our sales window correspondents.

※ Handling Notice

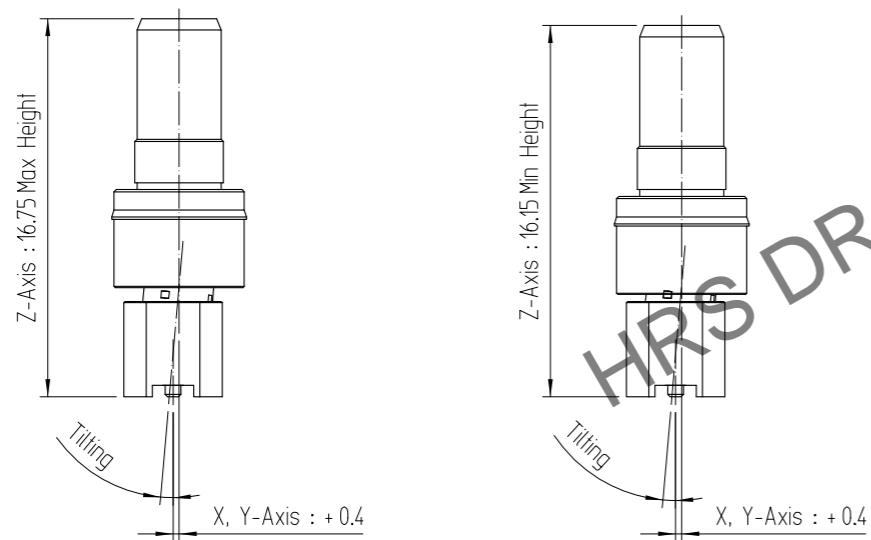
POK22F-PR/A-SMT & POK22F-SMBP-1

(Scale : Free)

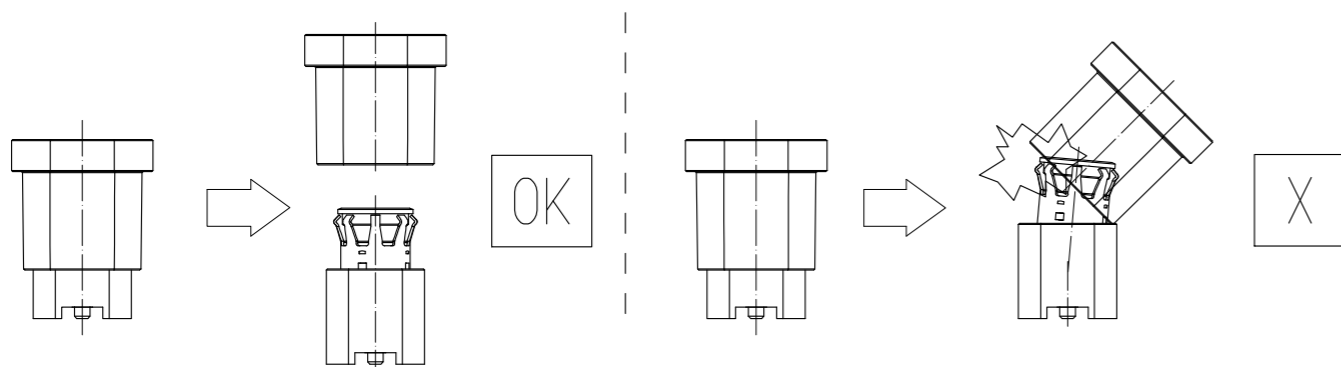
① Please be careful to avoid contact deformation due to external objects. Mating the connectors with deformed contacts may lead to malfunctions, contact failure, or damage to both parts.



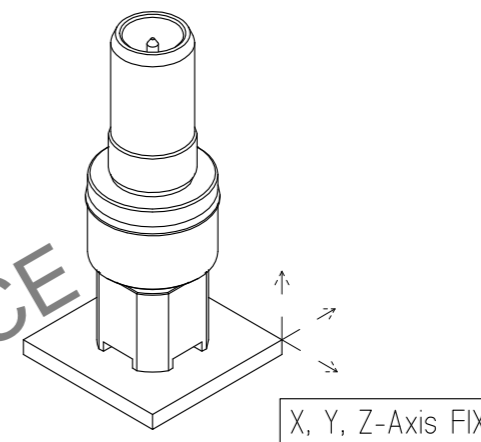
② The operating range for the POK22F is as follows. Using it beyond this range could cause damage.



③ To remove the cap from the receptacle, pull it straight out, perpendicular to the connector's mounted surface. Diagonal removal may cause the adapter (operating part) to tilt beyond its specified range, potentially damaging the product.



④ Using the product without securing the board may overload the connector, leading to damage or contact failure. Ensure the board is firmly secured to prevent movement.



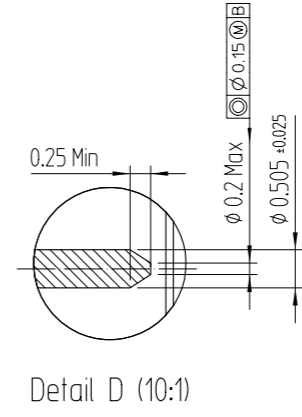
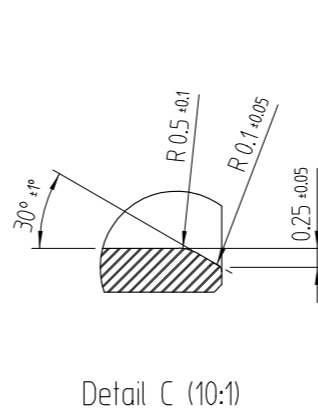
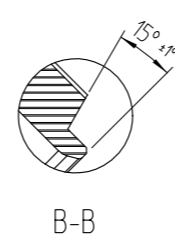
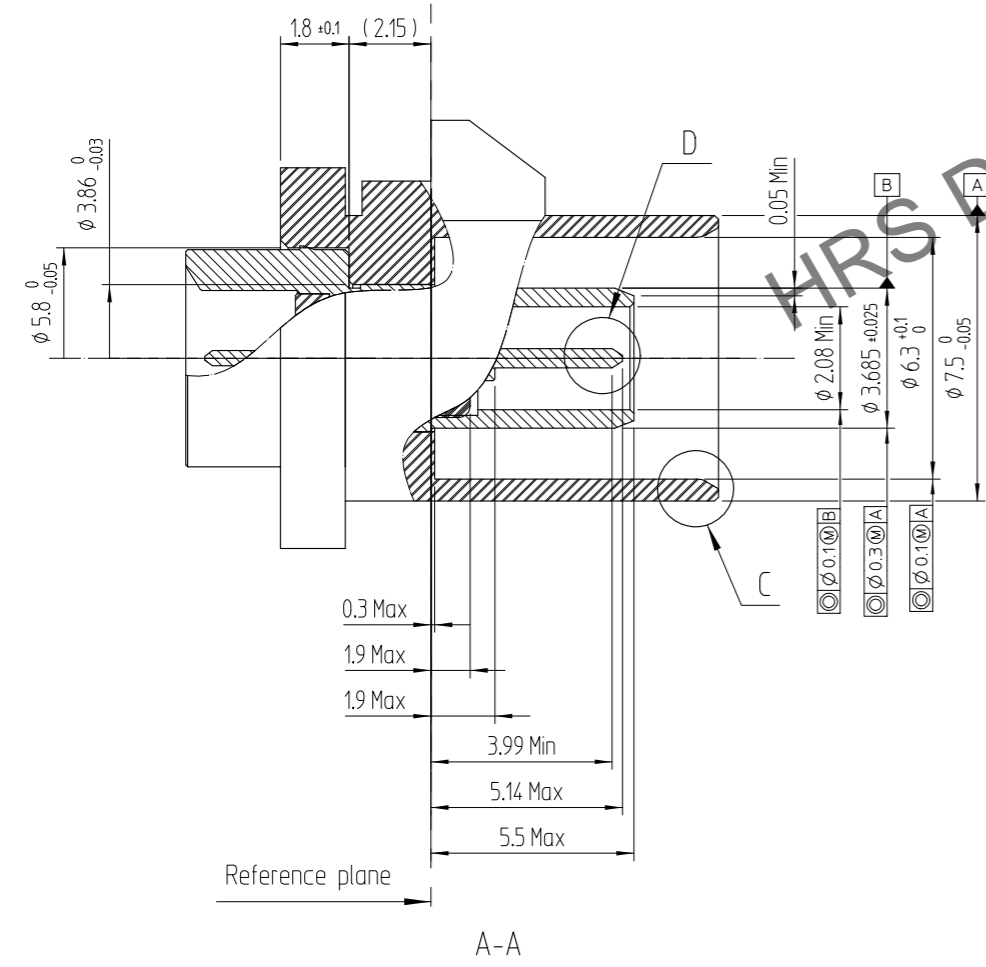
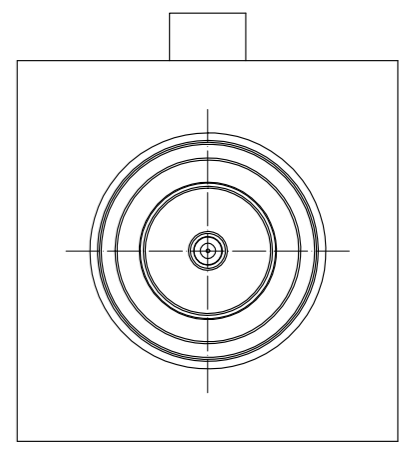
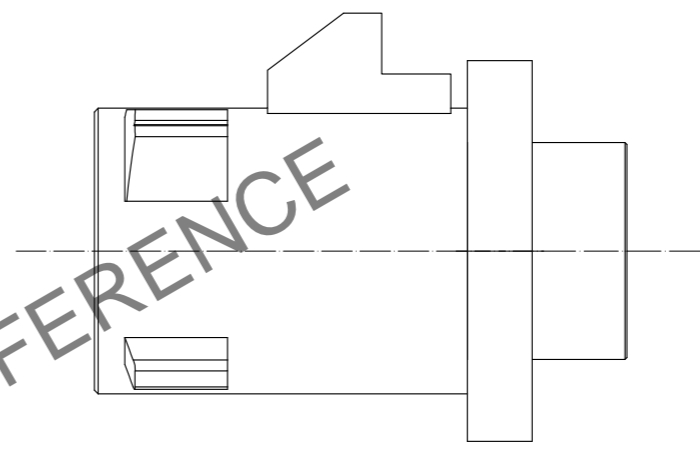
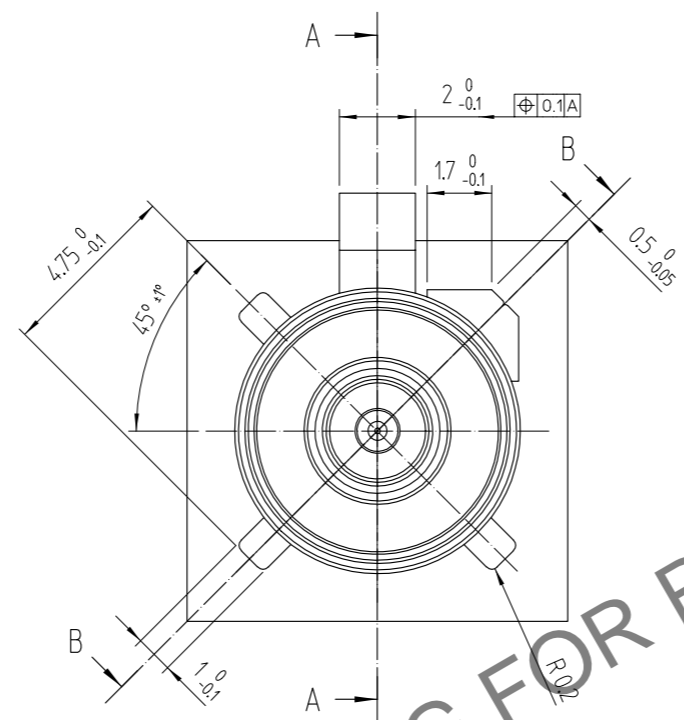
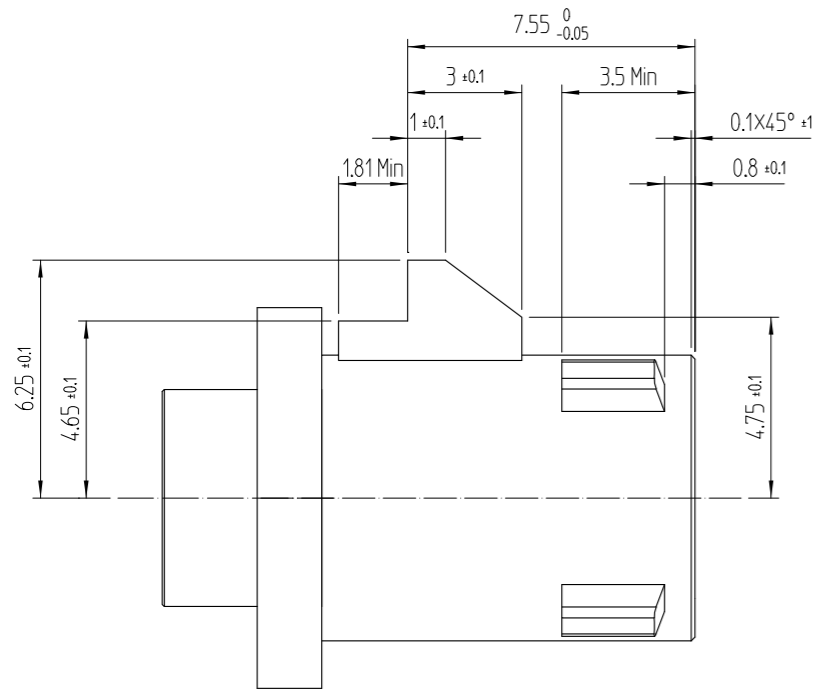
HRS DRAWING FOR REFERENCE

SCALE 5:1 UNITS mm	DRAWING NO. EDC3-634151	PART NO. POK22F-SMBP-1(800)	2 3
	HRS HIROSE KOREA CO.,LTD.	CODE NO. CL 6301-4036-0-800	

Mar.1.2026 Copyright 2026 HIROSE ELECTRIC CO., LTD. All Rights Reserved.
In case of consideration for using Automotive equipment / device which demand high reliability, kindly contact our sales window correspondents.

※ Design Guide
POK22F-SMBP-1 & Rear body

△數 COUNT	訂正事項 DESCRIPTION OF REVISIONS	擔當 B	檢圖 CHKD	年月日 DATE	△數 COUNT	訂正事項 DESCRIPTION OF REVISIONS	擔當 B	檢圖 CHKD	年月日 DATE
△					△				
△					△				
△					△				



 SCALE 5:1 UNITS mm	DRAWING NO. EDC3-634151	PART NO. POK22F-SMBP-1(800)	CODE NO CL 6301-4036-0-800
	HRS HIROSE KOREA CO.,LTD.		