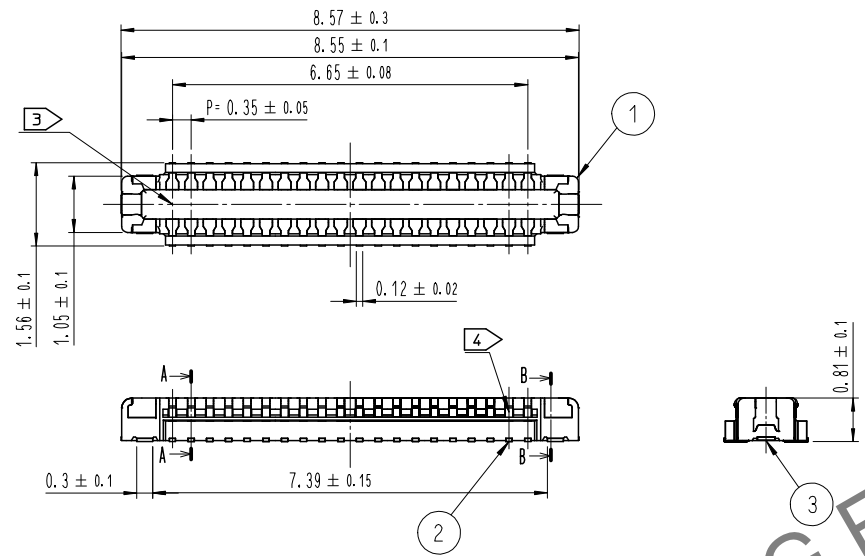


Apr.1.2025 Copyright 2025 HIROSE ELECTRIC CO., LTD. All Rights Reserved.  
 use of consideration for using Automotive equipment / device which demand high reliability, kindly contact our sales window correspond

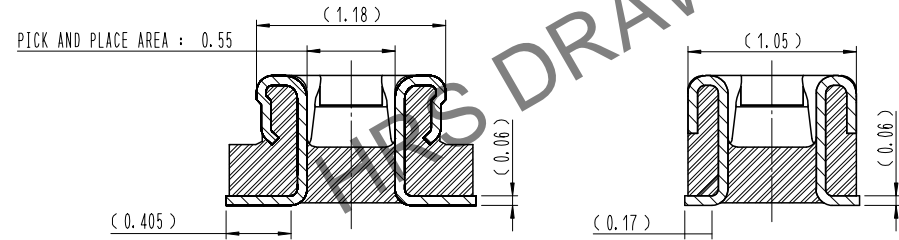
COUNT	DESCRIPTION OF REVISIONS	B	Y	CHKD	DATE	COUNT	DESCRIPTION OF REVISIONS	B	Y	CHKD	DATE
6	RE-6-3280			PSH	JHW	23	08	04			
2	RE-6-3921			JSW	JHW	25	01	15			

**DRAWING FOR REFERENCE**  
 This is subject to change without notice



A-A(30:1)

B-B(30:1)

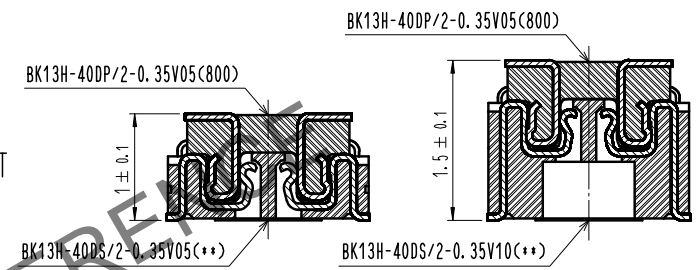


**NOTE**

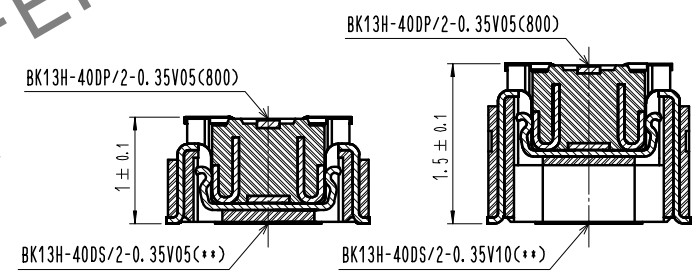
- ALL LEAD CO-PLANARITY SHALL BE 0.08mm MAX.
- CONTACT PLATING SPECIFICATIONS  
 CONTACT AREA : GOLD 0.05 μm MIN  
 SMT LEAD : GOLD 0.05 μm MIN  
 UNDERPLATING : NICKEL 1 μm MIN  
 ( SURFACE : SEALING )  
 ( NO GOLD PLATING IS ACCEPTABLE EXCEPT CONTACT POINTS AND SMT LEADS. )
- CAV NO. ARE INDICATED IN APPROX POSITION SHOWN.
- A PART OF THE WALL COULD BE NOTCHED

△ ENGAGEMENT FIGURE (20:1)

SIGNAL CONTACT



POWER CONTACT



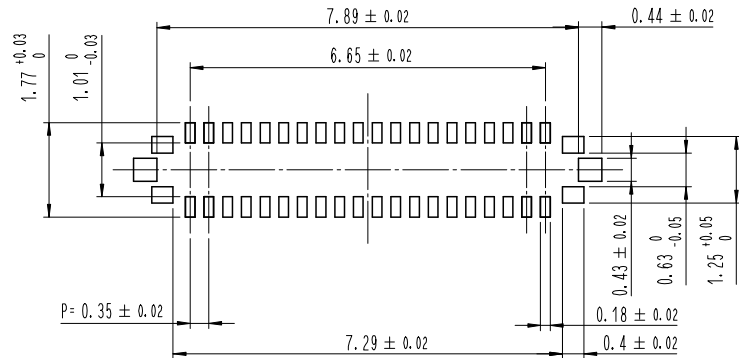
△ STACKING HEIGHT (H)

(UNIT : mm)

HEADER NO.	RECEPTACLE NO.	BK13H-40DS/2-0.35V05(**)	BK13H-40DS/2-0.35V10(**)
BK13H-40DP/2-0.35V05(800)		H = 1.0	H = 1.5

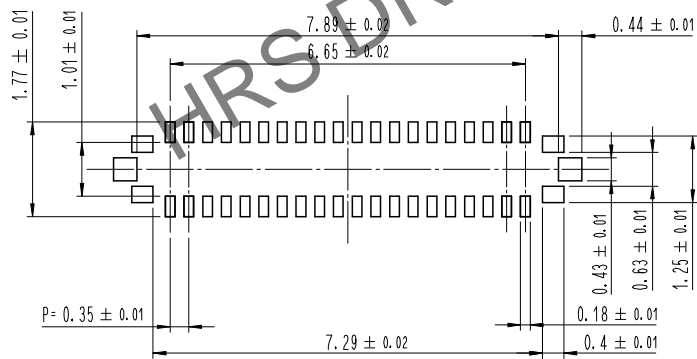
4	PS	CLEAR (EMBOSSED CARRIER TAPE)					
3	COPPER ALLOY	2					
2	COPPER ALLOY	2	6	PS	BLACK (PLASTIC REEL)		
1	LCP	UL94 V-0, BLACK	5	POLYESTER	CLEAR (COVER TAPE)		
NO.	MATERIAL	FINISH , REMARKS	NO.	MATERIAL	FINISH , REMARKS		
REMARKS			DRAWN	DESIGNED	CHECKED	APPROVED	RELEASED
			S. H. PARK	S. H. PARK	Y. J. LEE	H. W. JO	25. 01. 15
			23. 02. 13	23. 02. 13	23. 02. 13	23. 02. 13	
CODE NO. (COLD)	SCALE	DRAWING NO.	PART NO.				
	10:1	EDC3-633761-80	△BK13H-40DP/2-0.35V05(800)				
	UNITS	HIROSE KOREA CO., LTD.	CODE NO	CL 6671-0015-4-800			
					1/4		

6 ◆ RECOMMENDED PCB LAYOUT

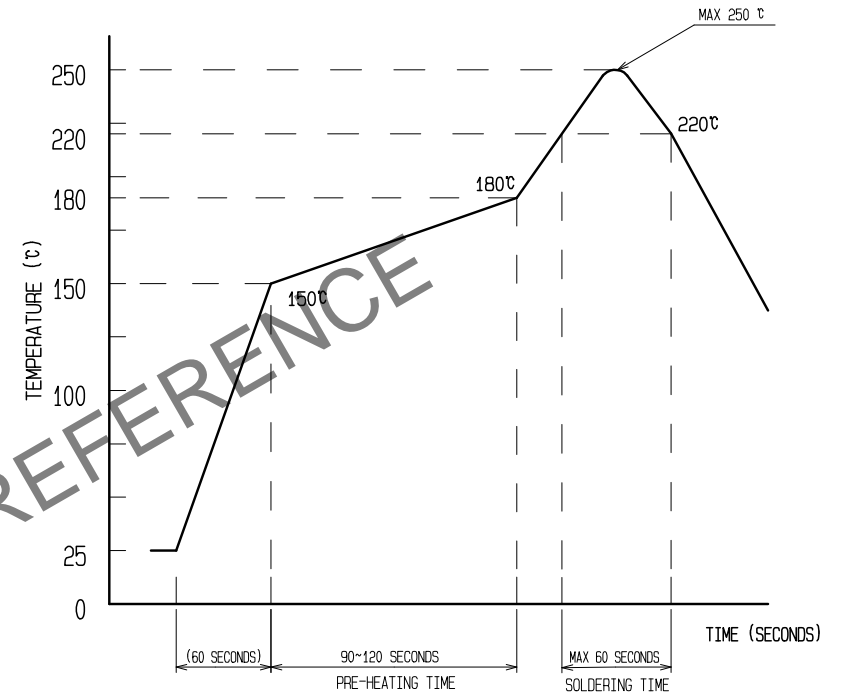


◆ RECOMMENDED METAL MASK DIMENSIONS

MATAL MASK THICKNESS : 80 μm



5 RECOMMENDED REFLOW TEMPERATURE PROFILE USING LEAD-FREE SOLDER PASTE.



REFLOW METHOD : N<sub>2</sub> REFLOW  
 NUMBER OF REFLOW CYCLES : 2 CYCLES MAX.

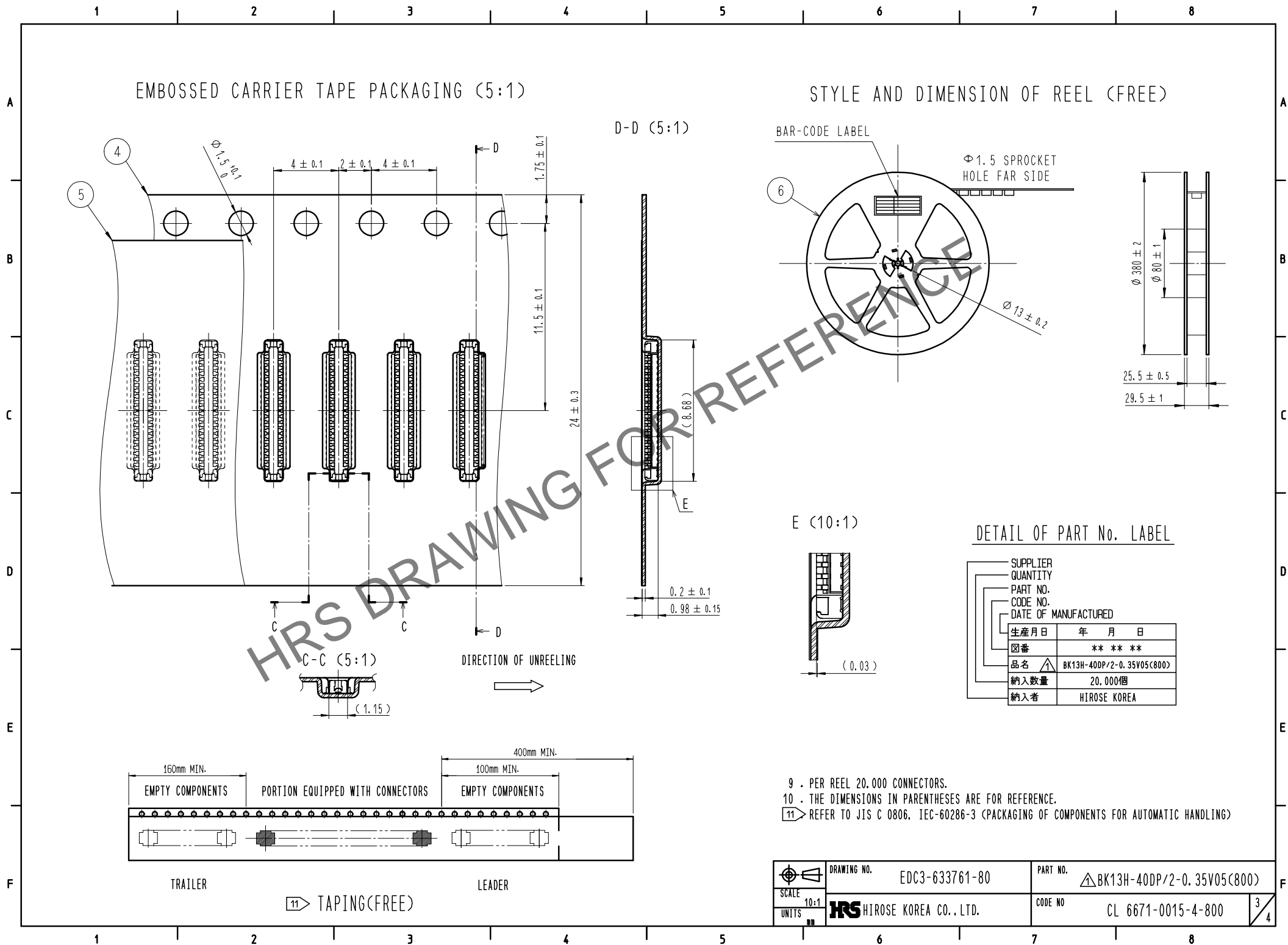
- 1) REFLOW TIME  
 DURATION ABOVE 220°C, 60 SEC MAX.  
 (PEAK TEMPERATURE : 250°C MAX)
- 2) PRE-HEAT TIME  
 PRE-HEAT TEMPERATURE(MIN): 150°C  
 PRE-HEAT TEMPERATURE(MAX): 180°C  
 PRE-HEAT TIME: 90-120 SEC.

5 THIS TEMPERATURE PROFILE IS PER THE CONDITIONS SHOWN ABOVE. ADDITIONAL FACTORS, SUCH AS SOLDER PASTE TYPE, PCB SIZE AND OTHER MOUNTED COMPONENTS COULD AFFECT THE PROFILE, THEREFORE, A THOROUGH EVALUATION OF MOUNTING CONDITION IS REQUIRED PRIOR TO PRODUCTION. TEMPERATURE IS MEASURED AT CONTACT LEAD.

- 6 PLEASE CONTACT US IN CASE YOU WILL MAKE DIFFERENT SETTINGS FROM OUR RECOMMENDATION.
- 7 . THIS PRODUCT SATISFIES HALOGEN FREE REQUIREMENTS DEFINED AS 900ppm MAXIMUM CHLORINE, 900ppm MAXIMUM BROMINE, AND 1500ppm MAXIMUM TOTAL OF CHLORINE AND BROMINE.
- 8 . THIS PRODUCT COMPLY WITH RoHS.

SCALE 10:1 UNITS	DRAWING NO. EDC3-633761-80	PART NO.  BK13H-40DP/2-0.35V05(C800)
	HIROSE KOREA CO., LTD.	CODE NO. CL 6671-0015-4-800

Apr.1.2025 Copyright 2025 HIROSE ELECTRIC CO., LTD. All Rights Reserved.  
 use of consideration for using Automotive equipment / device which demand high reliability, kindly contact our sales window correspond



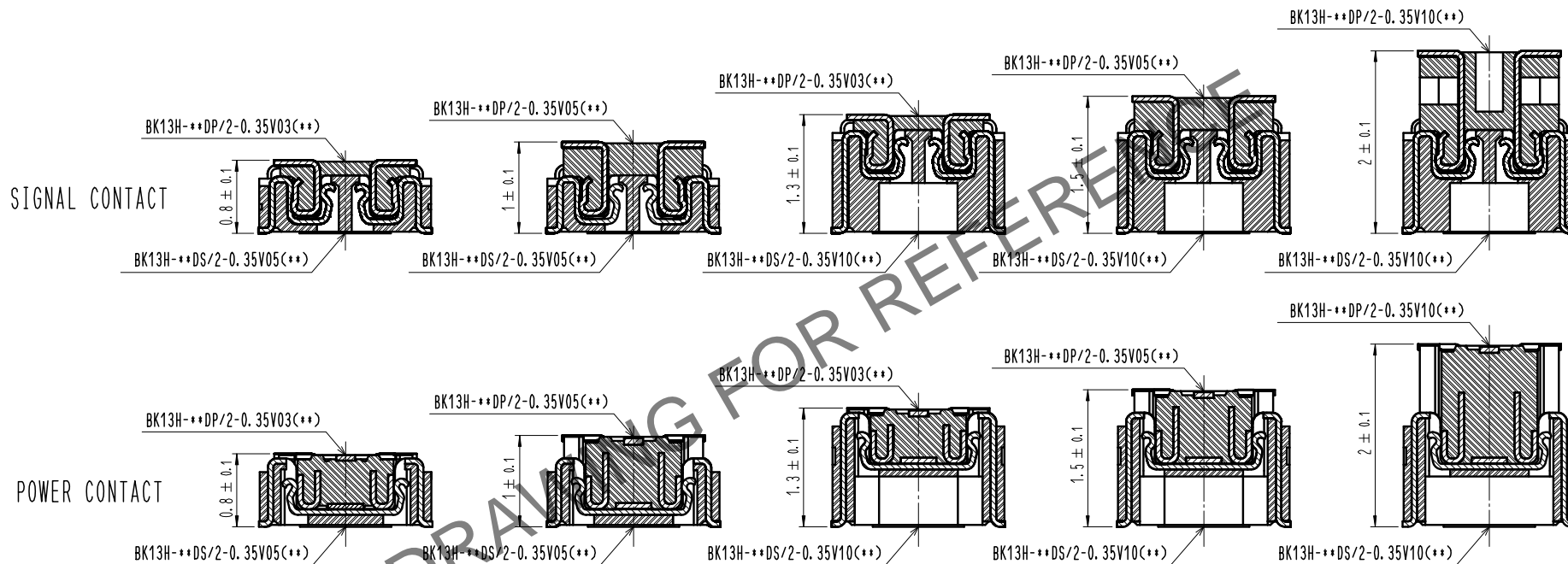
SUPPLIER	
QUANTITY	
PART NO.	
CODE NO.	
DATE OF MANUFACTURED	
生産月日	年 月 日
図番	** ** *
品名	△ BK13H-40DP/2-0.35V05(C800)
納入数量	20,000個
納入者	HIROSE KOREA

9 . PER REEL 20,000 CONNECTORS.  
 10 . THE DIMENSIONS IN PARENTHESES ARE FOR REFERENCE.  
 11 > REFER TO JIS C 0806, IEC-60286-3 (PACKAGING OF COMPONENTS FOR AUTOMATIC HANDLING)

SCALE 10:1 UNITS	DRAWING NO.	EDC3-633761-80	PART NO.	△ BK13H-40DP/2-0.35V05(C800)
	HIROSE KOREA CO., LTD.		CODE NO.	CL 6671-0015-4-800
				3/4

Apr.1.2025 Copyright 2025 HIROSE ELECTRIC CO., LTD. All Rights Reserved.  
 use of consideration for using Automotive equipment / device which demand high reliability, kindly contact our sales window correspond

△ BK13H SERIES  
 ENGAGEMENT FIGURE (20:1)



△ BK13H SERIES  
 STACKING HEIGHT (H)  
 (UNIT : mm)

HEADER NO.	RECEPTACLE NO.	BK13H-**DS/2-0.35V05(**)	BK13H-**DS/2-0.35V10(**)
	BK13H-**DP/2-0.35V03(**)	H = 0.8	H = 1.3
	BK13H-**DP/2-0.35V05(**)	H = 1.0	H = 1.5
	BK13H-**DP/2-0.35V10(**)		H = 2.0

	DRAWING NO.	EDC3-633761-80	PART NO.	BK13H-40DP/2-0.35V05(C800)
	SCALE	10:1	CODE NO.	CL 6671-0015-4-800
UNITS	HRS HIROSE KOREA CO., LTD.			4/4