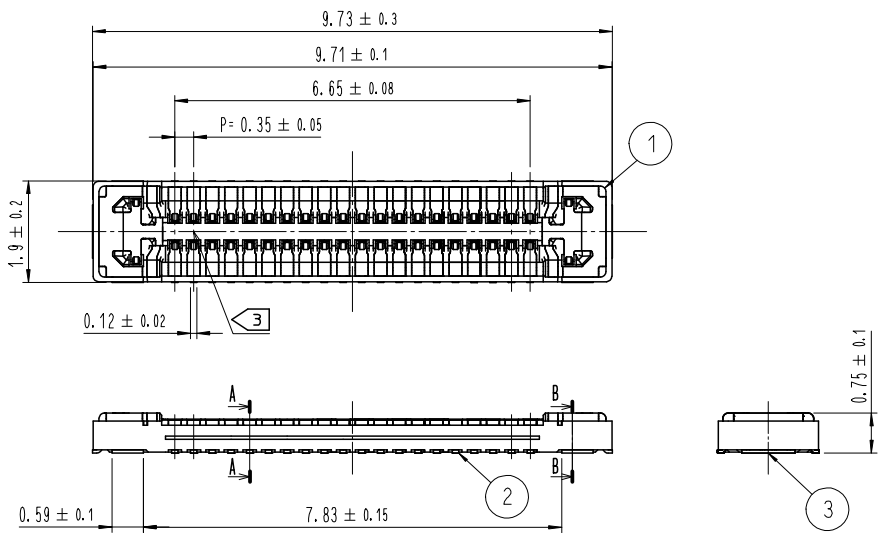


Apr.1.2025 Copyright 2025 HIROSE ELECTRIC CO., LTD. All Rights Reserved.
 use of consideration for using Automotive equipment / device which demand high reliability, kindly contact our sales window correspond

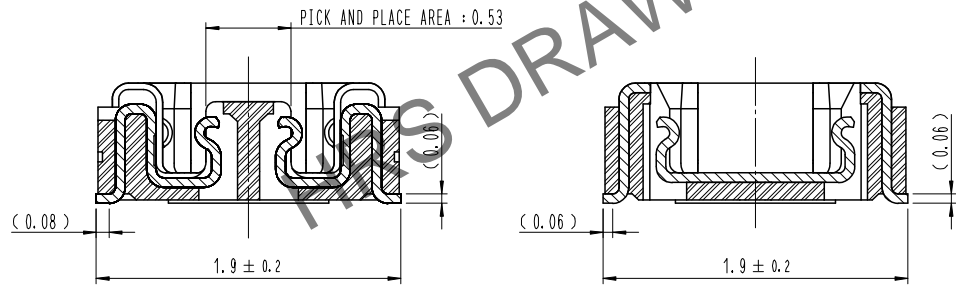
DRAWING FOR REFERENCE
 This is subject to change without notice

COUNT	DESCRIPTION OF REVISIONS	B	Y	CHKD	DATE	COUNT	DESCRIPTION OF REVISIONS	B	Y	CHKD	DATE
2	RE-6-3073			PSH	JHW	23.02.28					
6	RE-6-3280			PSH	JHW	23.08.04					
5	RE-6-3921			JSW	JHW	25.01.15					



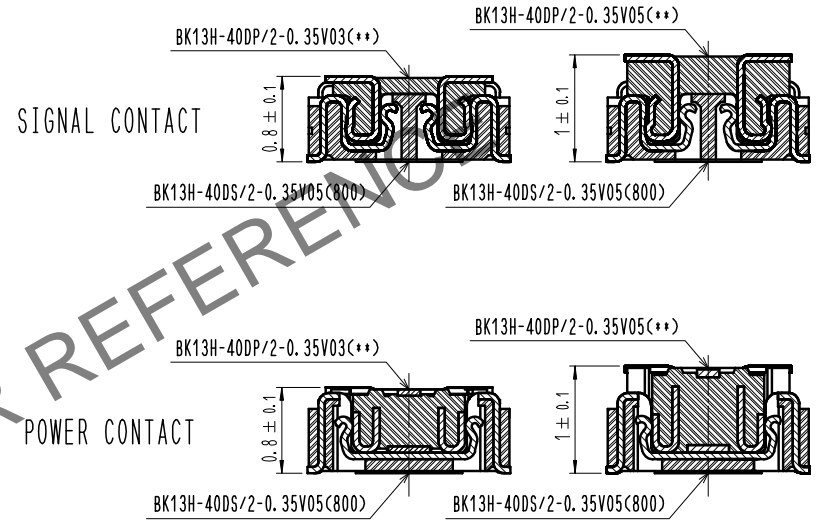
A-A(30:1)

B-B(30:1)



NOTE 1 . ALL LEAD CO-PLANARITY SHALL BE 0.08mm MAX.
 2 . CONTACT PLATING SPECIFICATIONS
 CONTACT AREA : GOLD 0.05 μm MIN
 SMT LEAD : GOLD 0.05 μm MIN
 UNDERPLATING : NICKEL 1 μm MIN
 (SURFACE : SEALING)
 (NO GOLD PLATING IS ACCEPTABLE EXCEPT CONTACT POINTS AND SMT LEADS.)
 3 . CAV NO. ARE INDICATED IN APPROX POSITION SHOWN.

ENGAGEMENT FIGURE (20:1)



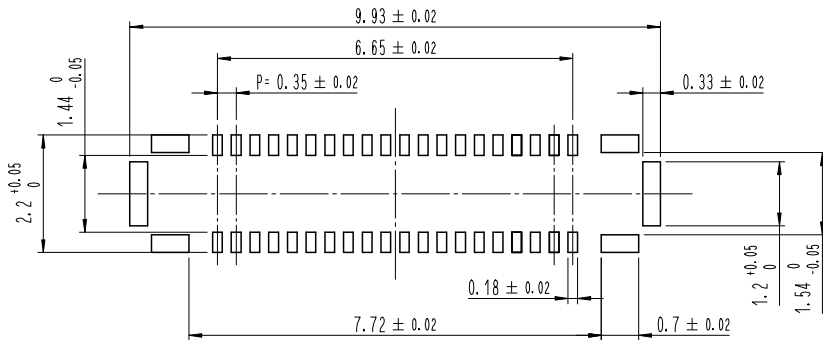
4. STACKING HEIGHT HIGHER THAN H=1.0 USE RECEPTACLE BK13H-**DS/2-0.35V10. PLEASE REFER TO THE DRAWING PAGE 4.

STACKING HEIGHT (H)

HEADER NO.	RECEPTACLE NO.	BK13H-40DS/2-0.35V05(800)	(UNIT : mm)
BK13H-40DP/2-0.35V03(**)		H = 0.8	
BK13H-40DP/2-0.35V05(**)		H = 1.0	
BK13H-40DP/2-0.35V10(**)			

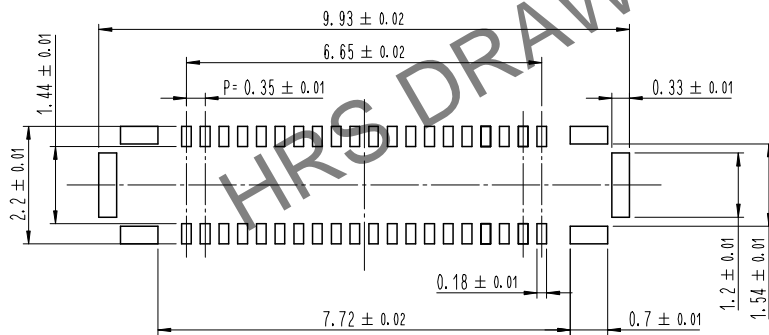
4	PS	CLEAR (EMBOSSED CARRIER TAPE)						
3	COPPER ALLOY	2						
2	COPPER ALLOY	2						
1	LCP	UL94 V-0, BLACK	6	PS	BLACK (PLASTIC REEL)			
			5	POLYESTER	CLEAR (COVER TAPE)			
NO.	MATERIAL	FINISH , REMARKS	NO.	MATERIAL	FINISH , REMARKS			
REMARKS				DRAWN	DESIGNED	CHECKED	APPROVED	RELEASED
				S. H. PARK	S. H. PARK	Y. J. LEE	H. W. JO	25.01.15
				23.03.13	23.03.13	23.03.13	23.03.13	
CODE NO. (OLD)	DRAWING NO. EDC3-633813-80			PART NO. BK13H-40DS/2-0.35V05(800)				
SCALE 10:1	HRS HIROSE KOREA CO., LTD.			CODE NO. CL 6671-0029-9-800		1/4		
UNITS								

6 **RECOMMENDED PCB LAYOUT**

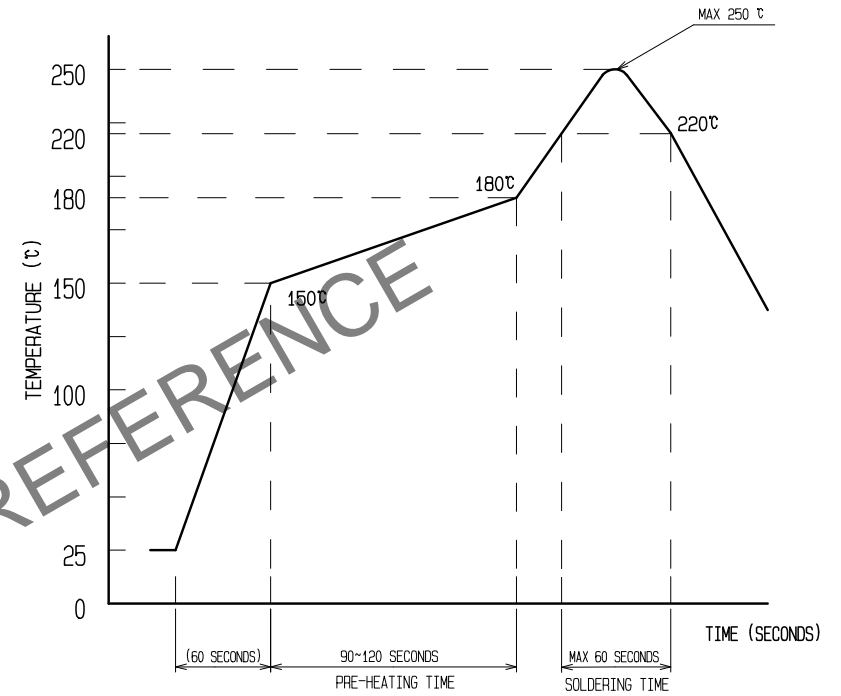


RECOMMENDED METAL MASK DIMENSIONS

MATAL MASK THICKNESS : 80 μm



5 **RECOMMENDED REFLOW TEMPERATURE PROFILE USING LEAD-FREE SOLDER PASTE.**



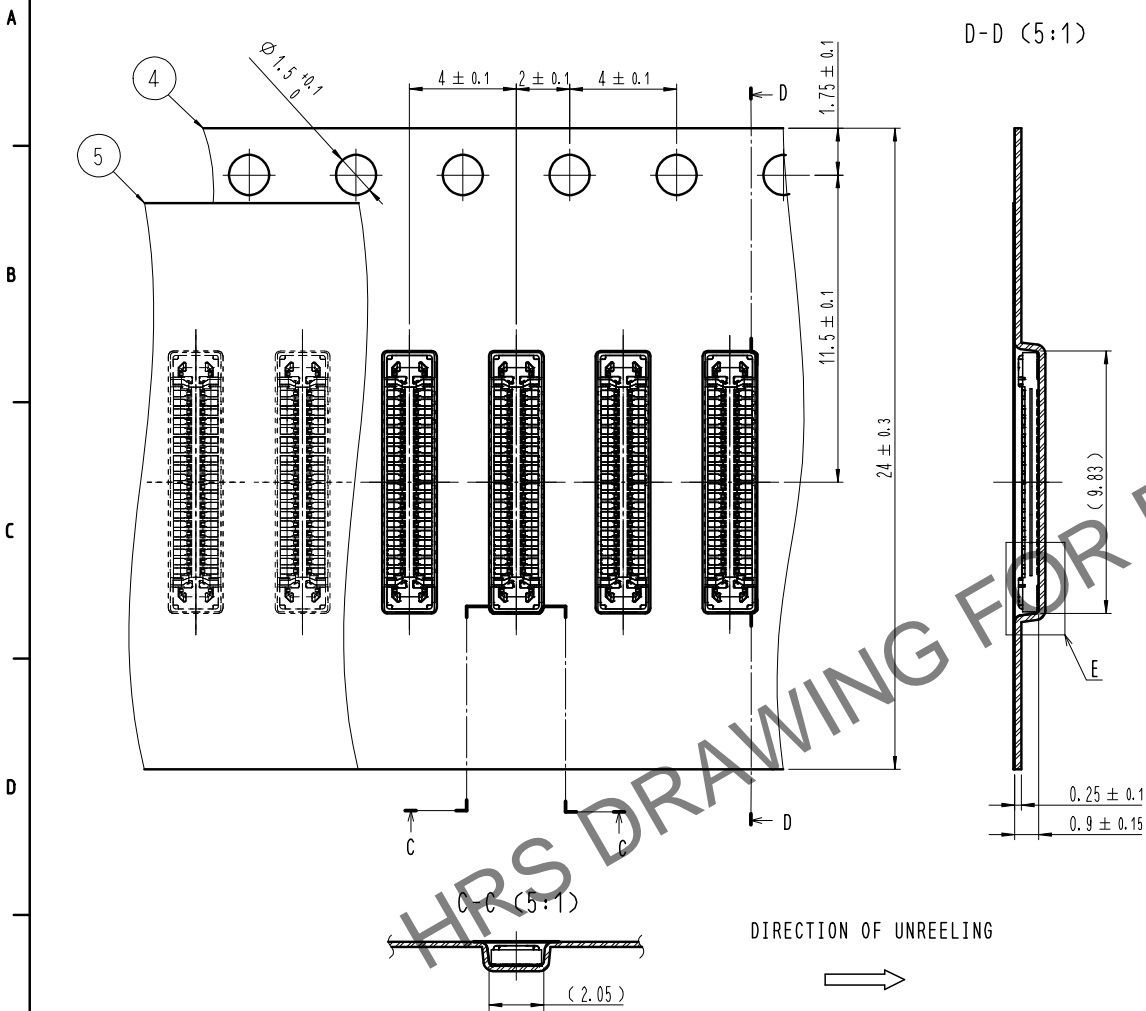
- REFLOW METHOD : N₂ REFLOW
 NUMBER OF REFLOW CYCLES : 2 CYCLES MAX.
 1) REFLOW TIME
 DURATION ABOVE 220°C, 60 SEC MAX.
 (PEAK TEMPERATURE : 250°C MAX)
 2) PRE-HEAT TIME
 PRE-HEAT TEMPERATURE(MIN): 150°C
 PRE-HEAT TEMPERATURE(MAX): 180°C
 PRE-HEAT TIME: 90-120 SEC.

- 5 THIS TEMPERATURE PROFILE IS PER THE CONDITIONS SHOWN ABOVE. ADDITIONAL FACTORS, SUCH AS SOLDER PASTE TYPE, PCB SIZE AND OTHER MOUNTED COMPONENTS COULD AFFECT THE PROFILE. THEREFORE, A THOROUGH EVALUATION OF MOUNTING CONDITION IS REQUIRED PRIOR TO PRODUCTION. TEMPERATURE IS MEASURED AT CONTACT LEAD.
 6 PLEASE CONTACT US IN CASE YOU WILL MAKE DIFFERENT SETTINGS FROM OUR RECOMMENDATION.
 7 THIS PRODUCT SATISFIES HALOGEN FREE REQUIREMENTS DEFINED AS 900ppm MAXIMUM CHLORINE, 900ppm MAXIMUM BROMINE, AND 1500ppm MAXIMUM TOTAL OF CHLORINE AND BROMINE.
 8 THIS PRODUCT COMPLY WITH ROHS.

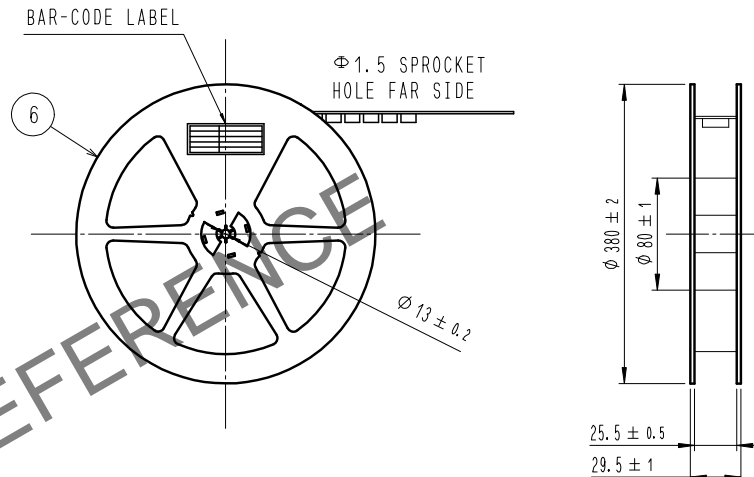
	DRAWING NO.	EDC3-633813-80	PART NO.	BK13H-40DS/2-0.35V05(800)
	SCALE	10:1	CODE NO	CL 6671-0029-9-800
UNITS	HRS HIROSE KOREA CO., LTD.			

Apr.1.2025 Copyright 2025 HIROSE ELECTRIC CO., LTD. All Rights Reserved.
 use of consideration for using Automotive equipment / device which demand high reliability, kindly contact our sales window correspond

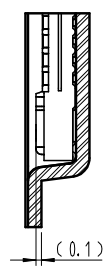
EMBOSSED CARRIER TAPE PACKAGING (5:1)



STYLE AND DIMENSION OF REEL (FREE)



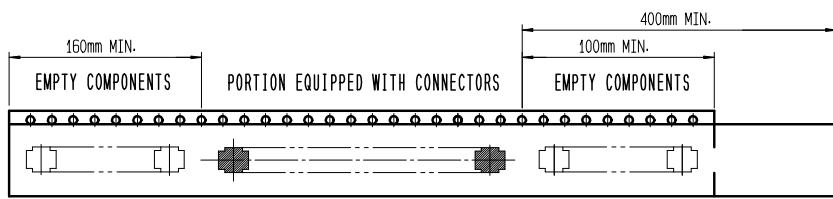
E (10:1)



DETAIL OF PART No. LABEL

SUPPLIER	HIROSE
QUANTITY	20,000
PART NO.	BK13H-40DS/2-0.35V05(800)
CODE NO.	CL 6671-0029-9-800
DATE OF MANUFACTURED	** * * *
生産月日	年 月 日
図番	** * * *
品名	△ BK13H-40DS/2-0.35V05(800)
納入数量	20,000個
納入者	HIROSE KOREA

- 9 . PER REEL 20,000 CONNECTORS.
- 10 . THE DIMENSIONS IN PARENTHESES ARE FOR REFERENCE.
- 11 . REFER TO JIS C 0806, IEC-60286-3 (PACKAGING OF COMPONENTS FOR AUTOMATIC HANDLING)



11 TAPING(FREE)

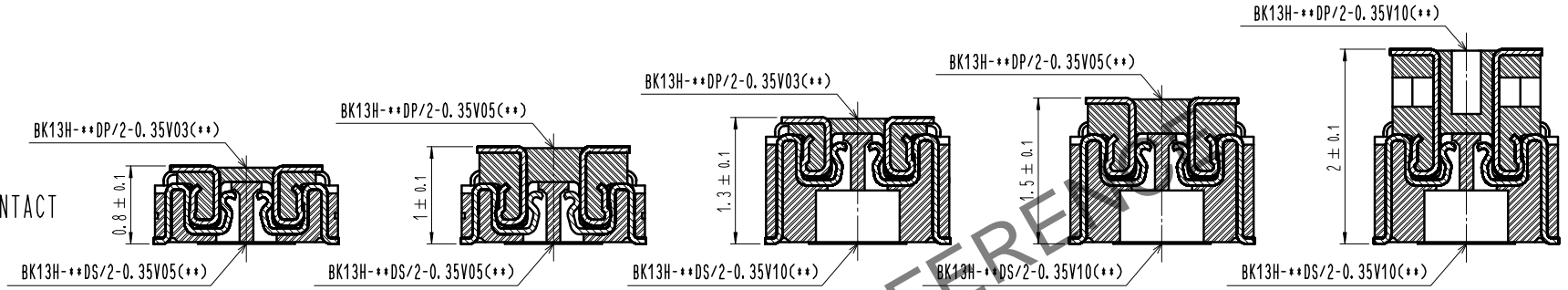
SCALE 10:1 UNITS	DRAWING NO.	EDC3-633813-80	PART NO.	△ BK13H-40DS/2-0.35V05(800)
	HIROSE KOREA CO., LTD.		CODE NO.	CL 6671-0029-9-800

3/4

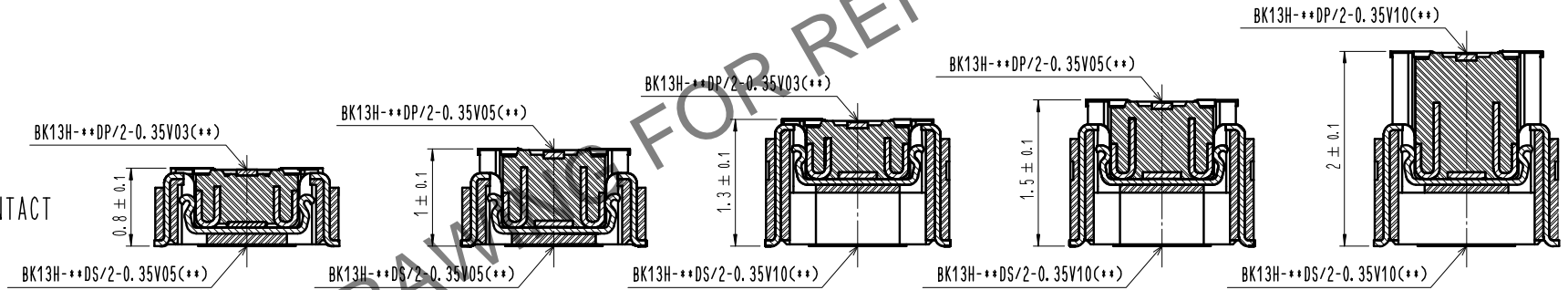
Apr.1.2025 Copyright 2025 HIROSE ELECTRIC CO., LTD. All Rights Reserved.
 use of consideration for using Automotive equipment / device which demand high reliability, kindly contact our sales window correspond

△ BK13H SERIES
 ENGAGEMENT FIGURE (20:1)

SIGNAL CONTACT



POWER CONTACT



△ BK13H SERIES
 STACKING HEIGHT (H)
 (UNIT : mm)

HEADER NO.	RECEPTACLE NO.	BK13H-**-DP/2-0.35V05(**)	BK13H-**-DS/2-0.35V10(**)
	BK13H-**-DP/2-0.35V03(**)	H = 0.8	H = 1.3
	BK13H-**-DP/2-0.35V05(**)	H = 1.0	H = 1.5
	BK13H-**-DP/2-0.35V10(**)		H = 2.0

	DRAWING NO.	EDC3-633813-80	PART NO.	BK13H-40DS/2-0.35V05(800)
	SCALE	10:1	CODE NO.	CL 6671-0029-9-800
	UNITS	mm	HIROSE KOREA CO., LTD.	