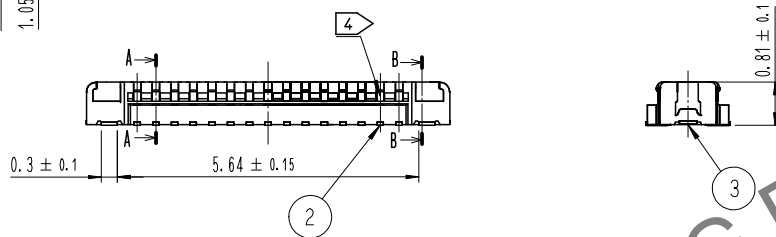
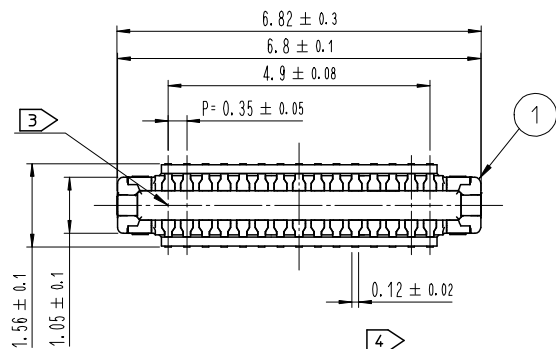


Apr.1.2025 Copyright 2025 HIROSE ELECTRIC CO., LTD. All Rights Reserved.
 use of consideration for using Automotive equipment / device which demand high reliability, kindly contact our sales window correspond

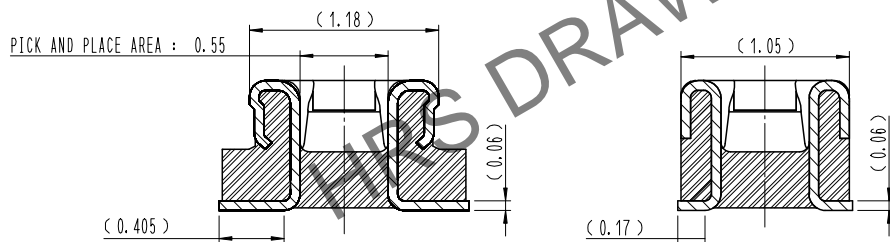
DRAWING FOR REFERENCE
 This is subject to change without notice

| COUNT | DESCRIPTION OF REVISIONS | B | Y | CHKD | DATE | COUNT | DESCRIPTION OF REVISIONS | B | Y | CHKD | DATE |
|-------|--------------------------|---|---|------|------|-------|--------------------------|---|---|------|------|
| △ | | | | | | △ | | | | | |
| △ | | | | | | △ | | | | | |
| △ | | | | | | △ | | | | | |



A-A(30:1)

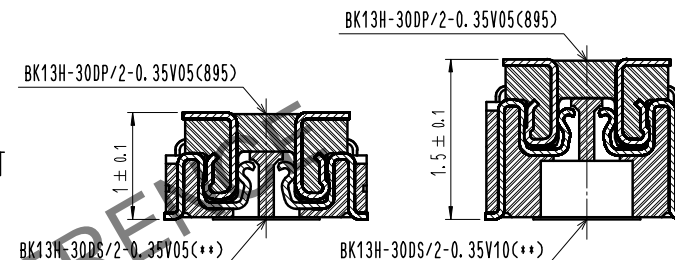
B-B(30:1)



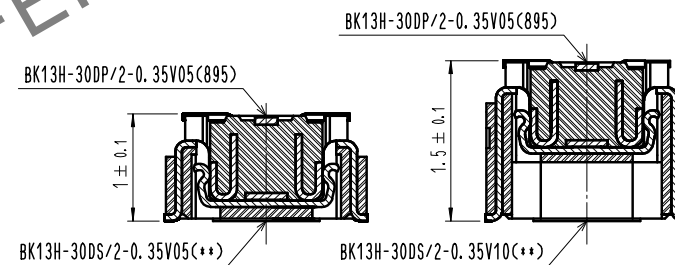
- NOTE
- 1 . ALL LEAD CO-PLANARITY SHALL BE 0.08mm MAX.
 - 2 > CONTACT PLATING SPECIFICATIONS
 CONTACT AREA : GOLD 0.05 μm MIN
 SMT LEAD : GOLD 0.05 μm MIN
 UNDERPLATING : NICKEL 1 μm MIN
 (SURFACE : SEALING)
 (NO GOLD PLATING IS ACCEPTABLE EXCEPT CONTACT POINTS AND SMT LEADS.)
 - 3 > CAV NO. ARE INDICATED IN APPROX POSITION SHOWN.
 - 4 > A PART OF THE WALL COULD BE NOTCHED

ENGAGEMENT FIGURE (20:1)

SIGNAL CONTACT



POWER CONTACT



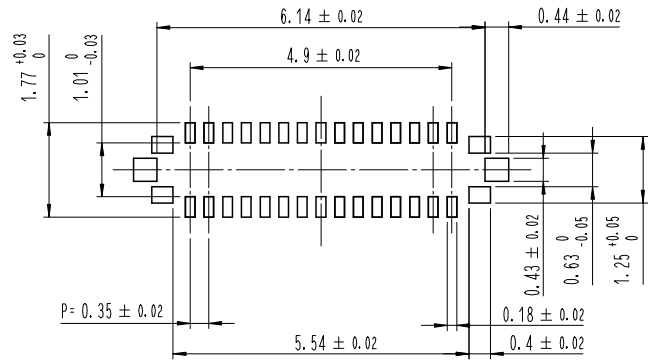
STACKING HEIGHT (H)

(UNIT : mm)

| HEADER NO. | RECEPTACLE NO. | BK13H-30DS/2-0.35V05(**) | BK13H-30DS/2-0.35V10(**) |
|---------------------------|----------------|--------------------------|--------------------------|
| BK13H-30DP/2-0.35V05(895) | | H = 1.0 | H = 1.5 |

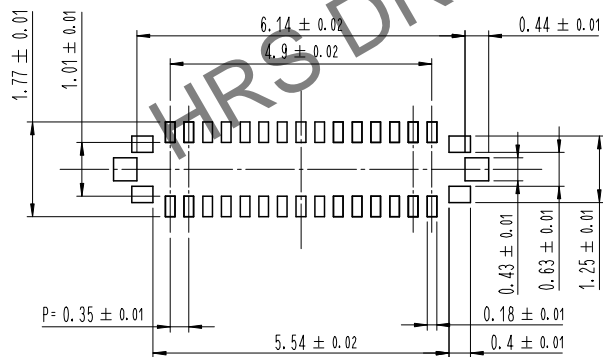
| 4 | PS | CLEAR (EMBOSSED CARRIER TAPE) | | | | | | | | |
|-----------------|------------------------------|-------------------------------|-----|-----------|------------------------------------|--------------------|------------|------------|------------|------------|
| 3 | COPPER ALLOY | 2 > | | | | | | | | |
| 2 | COPPER ALLOY | 2 > | 6 | PS | BLACK (PLASTIC REEL) | | | | | |
| 1 | LCP | UL94 V-0, BLACK | 5 | POLYESTER | CLEAR (COVER TAPE) | | | | | |
| NO. | MATERIAL | FINISH , REMARKS | NO. | MATERIAL | FINISH , REMARKS | | | | | |
| REMARKS | | | | | | DRAWN | DESIGNED | CHECKED | APPROVED | RELEASED |
| | | | | | | S. W. JUNG | S. W. JUNG | S. H. PARK | H. W. JO | 25. 01. 15 |
| | | | | | | 25. 01. 15 | 25. 01. 15 | 25. 01. 15 | 25. 01. 15 | 25. 01. 15 |
| CODE NO. (COLD) | DRAWING NO. EDC3-633808-95 | | | | PART NO. BK13H-30DP/2-0.35V05(895) | | | | | |
| SCALE 10:1 | UNITS HIROSE KOREA CO., LTD. | | | | CODE NO | CL 6671-0023-2-895 | | 1/4 | | |

6 **RECOMMENDED PCB LAYOUT**

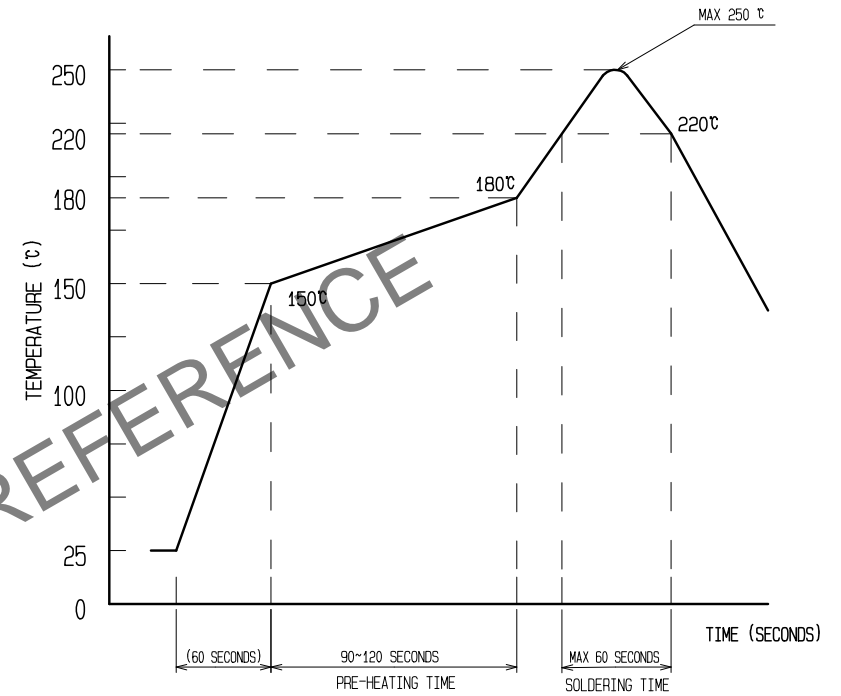


RECOMMENDED METAL MASK DIMENSIONS

MATAL MASK THICKNESS : 80 μm



5 **RECOMMENDED REFLOW TEMPERATURE PROFILE USING LEAD-FREE SOLDER PASTE.**



REFLOW METHOD : N₂ REFLOW
 NUMBER OF REFLOW CYCLES : 2 CYCLES MAX.

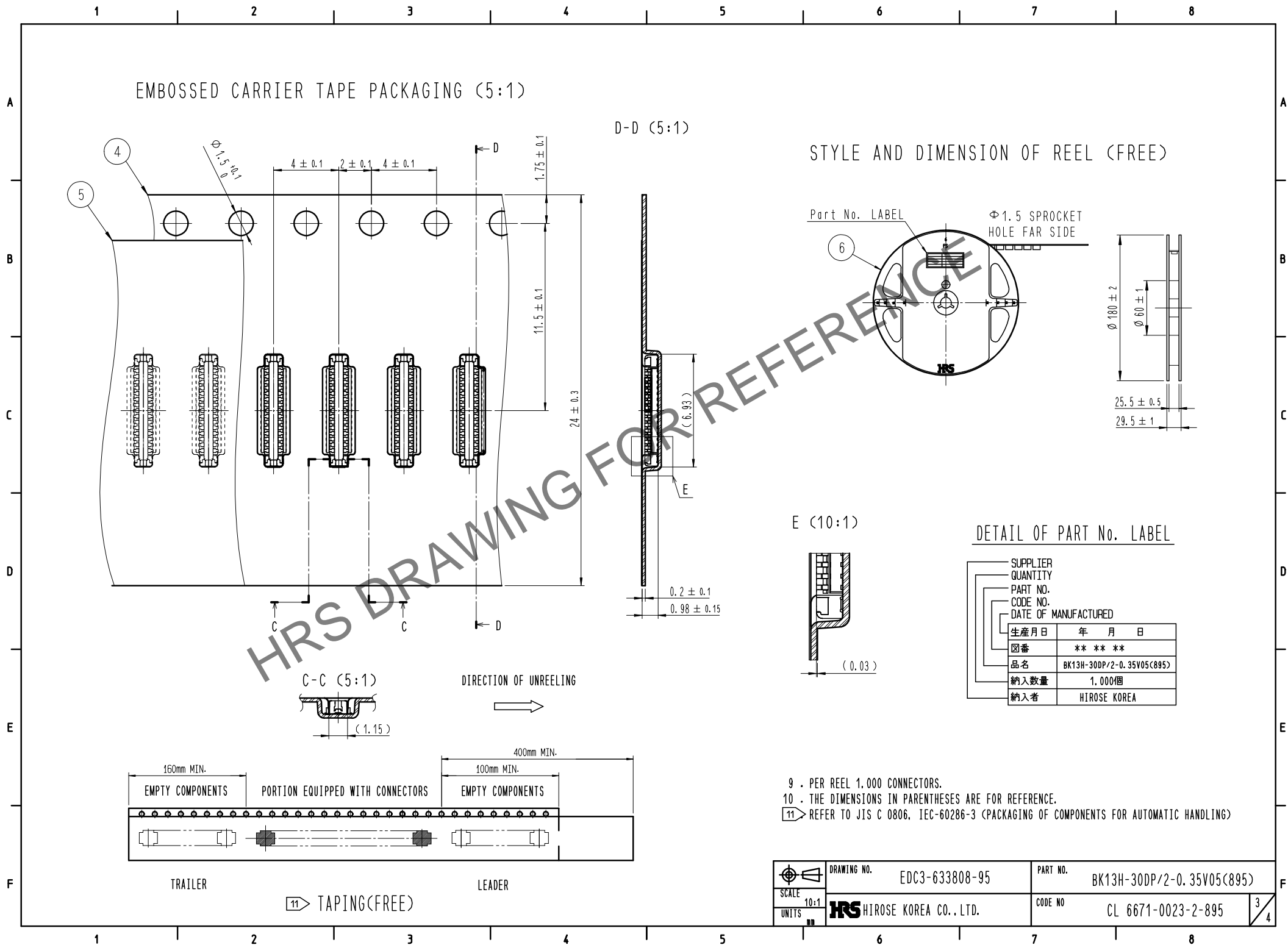
- 1) REFLOW TIME
 DURATION ABOVE 220°C, 60 SEC MAX.
 (PEAK TEMPERATURE : 250°C MAX)
- 2) PRE-HEAT TIME
 PRE-HEAT TEMPERATURE(MIN): 150°C
 PRE-HEAT TEMPERATURE(MAX): 180°C
 PRE-HEAT TIME: 90-120 SEC.

5 THIS TEMPERATURE PROFILE IS PER THE CONDITIONS SHOWN ABOVE. ADDITIONAL FACTORS, SUCH AS SOLDER PASTE TYPE, PCB SIZE AND OTHER MOUNTED COMPONENTS COULD AFFECT THE PROFILE, THEREFORE, A THOROUGH EVALUATION OF MOUNTING CONDITION IS REQUIRED PRIOR TO PRODUCTION. TEMPERATURE IS MEASURED AT CONTACT LEAD.

- 6 PLEASE CONTACT US IN CASE YOU WILL MAKE DIFFERENT SETTINGS FROM OUR RECOMMENDATION.
- 7 THIS PRODUCT SATISFIES HALOGEN FREE REQUIREMENTS DEFINED AS 900ppm MAXIMUM CHLORINE, 900ppm MAXIMUM BROMINE, AND 1500ppm MAXIMUM TOTAL OF CHLORINE AND BROMINE.
- 8 THIS PRODUCT COMPLY WITH RoHS.

| | | |
|---------------------|----------------------------|------------------------------------|
| SCALE 10:1 UNITS | DRAWING NO. EDC3-633808-95 | PART NO. BK13H-30DP/2-0.35V05(895) |
| | HIROSE KOREA CO., LTD. | CODE NO. CL 6671-0023-2-895 |

Apr.1.2025 Copyright 2025 HIROSE ELECTRIC CO., LTD. All Rights Reserved.
 use of consideration for using Automotive equipment / device which demand high reliability, kindly contact our sales window correspond



DETAIL OF PART NO. LABEL

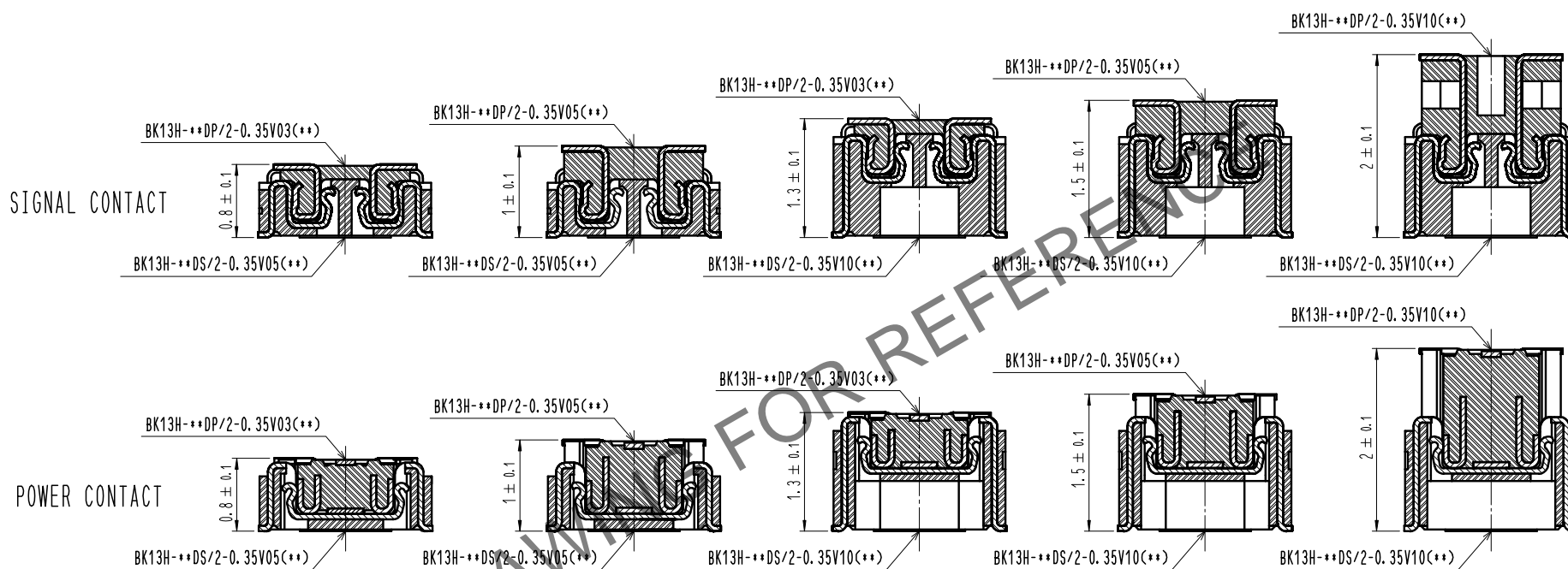
| | |
|----------------------|----------------------------|
| SUPPLIER | |
| QUANTITY | |
| PART NO. | |
| CODE NO. | |
| DATE OF MANUFACTURED | |
| 生産月日 | 年 月 日 |
| 図番 | ** * * * |
| 品名 | BK13H-30DP/2-0.35V05(C895) |
| 納入数量 | 1,000個 |
| 納入者 | HIROSE KOREA |

9 . PER REEL 1,000 CONNECTORS.
 10 . THE DIMENSIONS IN PARENTHESES ARE FOR REFERENCE.
 11 > REFER TO JIS C 0806, IEC-60286-3 (PACKAGING OF COMPONENTS FOR AUTOMATIC HANDLING)

| | | | | |
|-------------------------|------------------------|----------------|----------|----------------------------|
| SCALE 10:1 UNITS | DRAWING NO. | EDC3-633808-95 | PART NO. | BK13H-30DP/2-0.35V05(C895) |
| | HIROSE KOREA CO., LTD. | | CODE NO. | CL 6671-0023-2-895 |
| | | | | 3/4 |

Apr.1.2025 Copyright 2025 HIROSE ELECTRIC CO., LTD. All Rights Reserved.
 use of consideration for using Automotive equipment / device which demand high reliability, kindly contact our sales window correspond

BK13H SERIES
 ENGAGEMENT FIGURE (20:1)



BK13H SERIES
 STACKING HEIGHT (H)
 (UNIT : mm)

| HEADER NO. | RECEPTACLE NO. | BK13H-**DS/2-0.35V05(**) | BK13H-**DS/2-0.35V10(**) |
|--------------------------|----------------|--------------------------|--------------------------|
| BK13H-**DP/2-0.35V03(**) | | H = 0.8 | H = 1.3 |
| BK13H-**DP/2-0.35V05(**) | | H = 1.0 | H = 1.5 |
| BK13H-**DP/2-0.35V10(**) | | | H = 2.0 |

| | | | | |
|--|-------------|----------------------------|----------|---------------------------|
| | DRAWING NO. | EDC3-633808-95 | PART NO. | BK13H-30DP/2-0.35V05(895) |
| | SCALE | 10:1 | CODE NO. | CL 6671-0023-2-895 |
| | UNITS | HRS HIROSE KOREA CO., LTD. | | 4/4 |