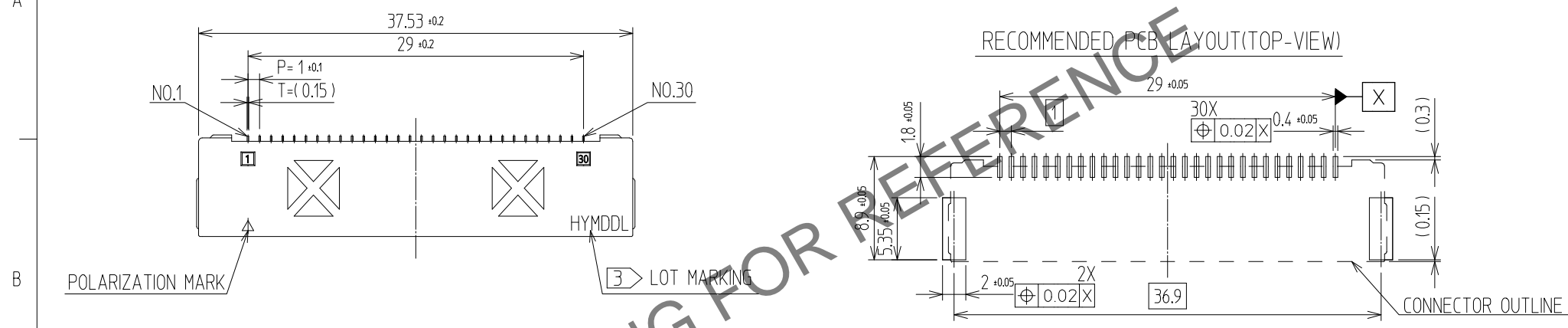


Nov.1.2024 Copyright 2024 HIROSE ELECTRIC CO., LTD. All Rights Reserved.
In case of consideration for using Automotive equipment / device which demand high reliability, kindly contact our sales window

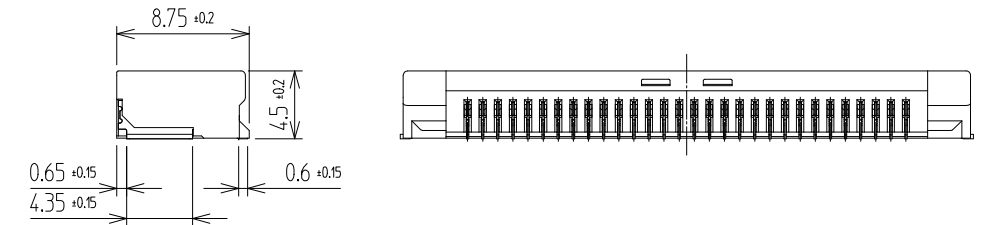
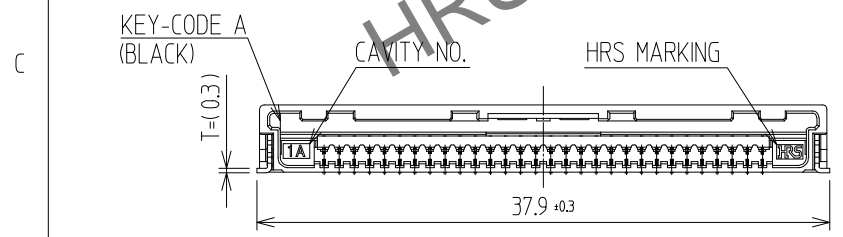
△數 COUNT	訂正事項 DESCRIPTION OF REVISIONS	擔當 B	檢圖 CHKD	年月日 DATE	△數 COUNT	訂正事項 DESCRIPTION OF REVISIONS	擔當 B	檢圖 CHKD	年月日 DATE
①	1 RE-6-3688	C.H.S	L.S.M	24, 08, 01	△				
②	1 RE-6-3713	C.H.S	L.S.M	24, 08, 15	△				
△					△				



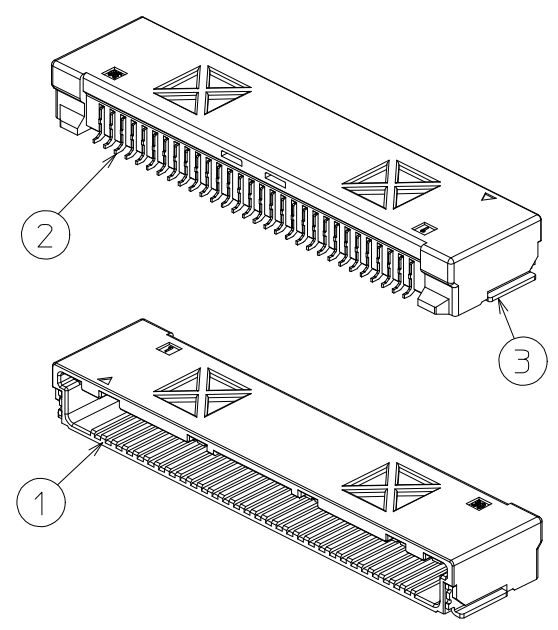
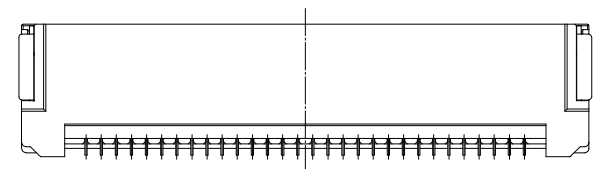
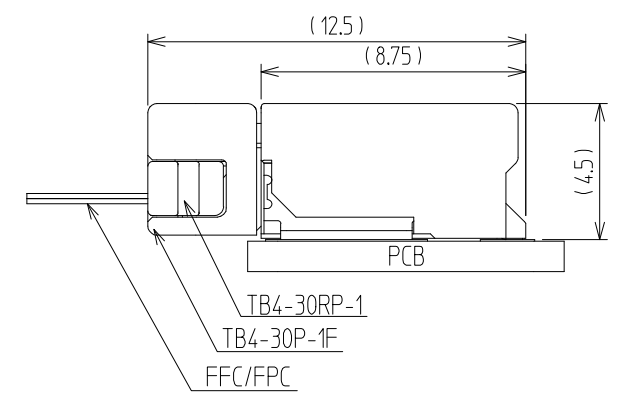
NOTE
 1. LEAD CO-PLANARITY SHALL BE 0.1mmMAX
 2. 1REEL : 1,000EA CONNECTORS
 ③ LOT MARKING : HYMDDL
 H: HIROSE, Y: YEAR, M: MONTH, DD:DAY, L: LINE
 H Y M DD L

Line
 Day
 Month
 Year
 Hirose

Maker	Year	Month	Day	Production Line			
Ex.	Mark	Ex.	Mark	Ex.	MARK		
Hirose Korea	H	2020	0	Jan.	1 1st 01	Sample	S
		2021	1	Feb.	2 2nd 02	MP Manual#1	1
		2022	2	Mar.	3 3rd 03	MP Manual#2	2
		2023	3	Apr.	4 4th 04	MP Manual#3	3
		2024	4	May	5 5th 05	MP Manual#4	4
		2025	5	Jun.	6 6th 06
		2026	6	Jul.	7 7th 07	MP Auto#1	A
		2027	7	Aug.	8 8th 08	MP Auto#2	B
		2028	8	Sep.	9 9th 09	MP Auto#3	C
		2029	9	Oct.	A 10th 10	MP Auto#4	D
				Nov.	B 11th 11	MP Auto#5	E
				Dec.	C



MATING FIGURE(4:1)



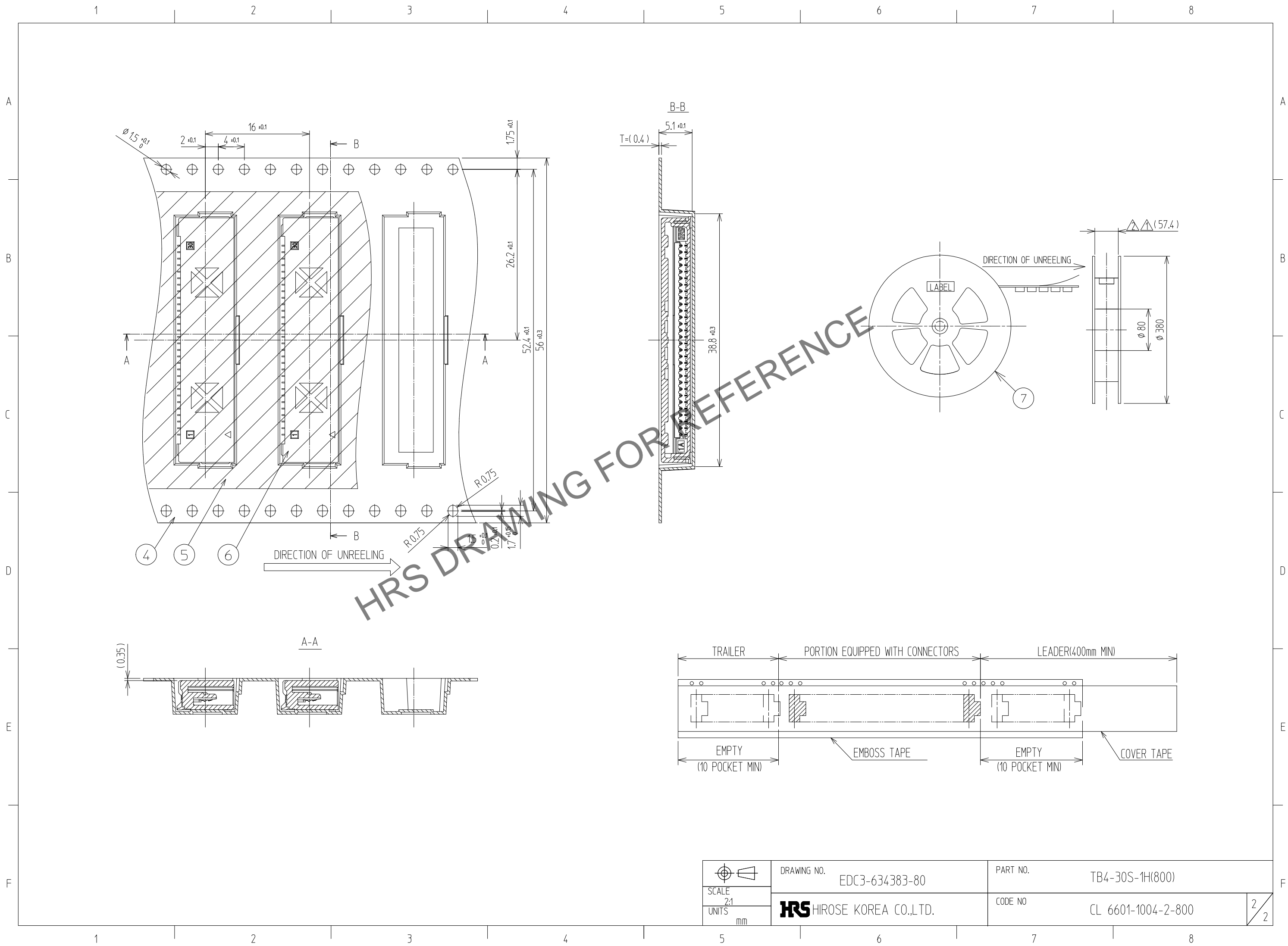
3	BRASS	TIN PLATING	7	PS	REEL BOBBIN
2	COPPER ALLOY	CONTACT AREA : GOLD PLATING	6	CONNECTOR	TB4-30S-1H
		SMT LEAD : GOLD PLATING	5	PET	COVER TAPE
1	PA	UL94 V-0, BLACK	4	PS	EMBOSS CARRIER TAPE
NO.	MATERIAL	FINISH,REMARKS	NO.	MATERIAL	FINISH,REMARKS

CODE NO. (OLD)	DRAWN	DESIGNED	CHECKED	APPROVED	RELEASED
	CHOI 24.04.23 H.S	CHOI 24.04.23 H.S	LIM 24.04.23 S.M	LIM 24.04.23 S.M	ENG 24.08.15 DEPT

SCALE 2:1 UNITS mm	DRAWING NO. EDC3-634383-80	PART NO. TB4-30S-1H(800)	CODE NO. CL 6601-1004-2-800	1/2
-----------------------------	-------------------------------	-----------------------------	--------------------------------	-----

HRS DRAWING FOR REFERENCE

Nov.1.2024 Copyright 2024 HIROSE ELECTRIC CO., LTD. All Rights Reserved.
In case of consideration for using Automotive equipment / device which demand high reliability, kindly contact our sales window correspondents.



	DRAWING NO.	EDC3-634383-80	PART NO.	TB4-30S-1H(800)
	SCALE	2:1	CODE NO.	CL 6601-1004-2-800
UNITS	mm		HIROSE KOREA CO.,LTD.	
				2/2