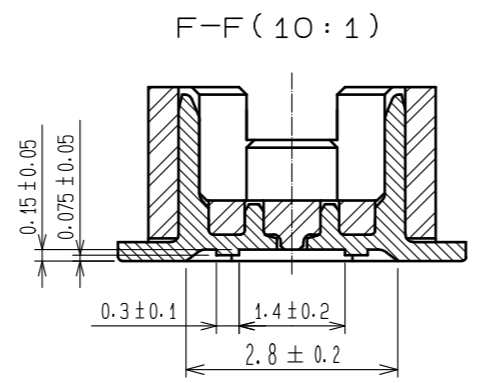
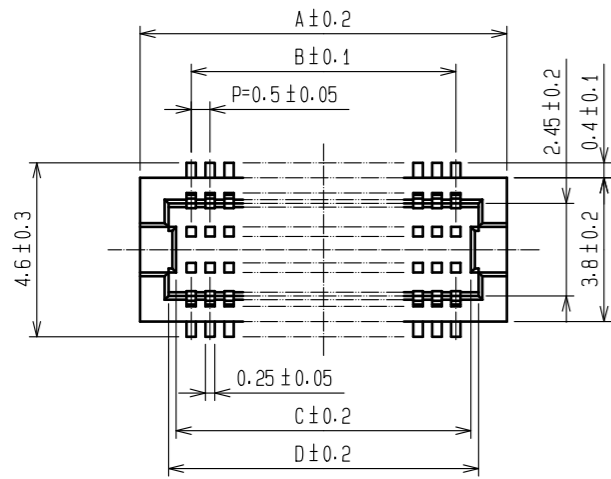
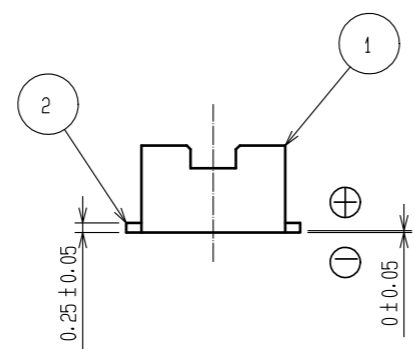
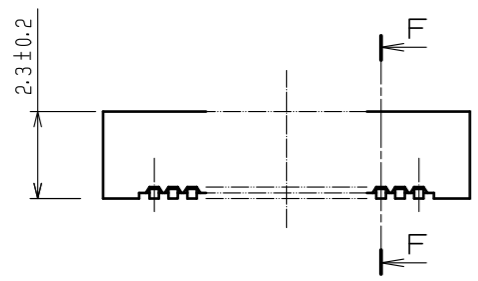


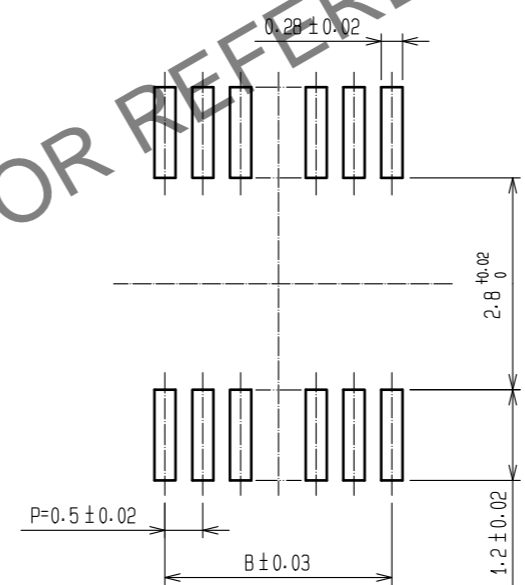
Jan.1.2025 Copyright 2025 HIROSE ELECTRIC CO., LTD. All Rights Reserved.
In case of consideration for using Automotive equipment / device which demand high reliability, kindly contact our sales window correspondents.



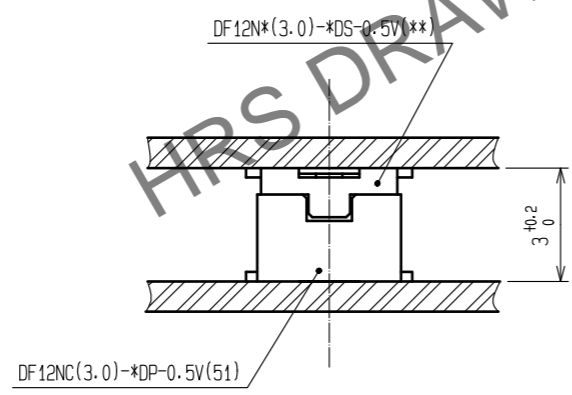
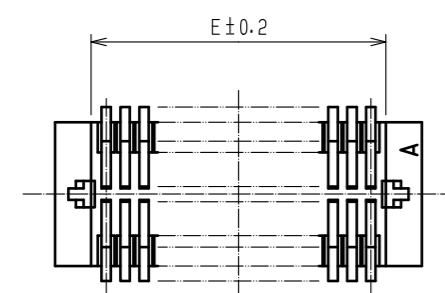
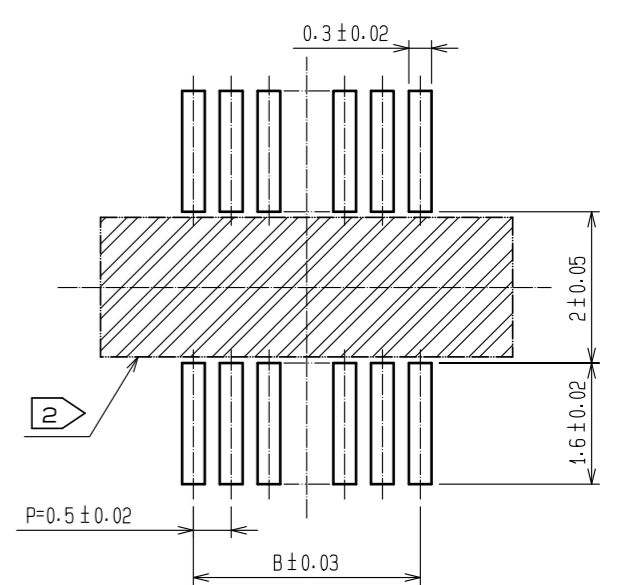
CODE No.	CONTACT	A	B	C	D	E
CL537-0396-0-51	10	4.7	2.0	2.8	3.2	2.8
CL537-0397-0-51	14	5.7	3.0	3.8	4.2	3.8
CL537-0398-0-51	20	7.2	4.5	5.3	5.7	5.3
CL537-0399-0-51	30	9.7	7.0	7.8	8.2	7.8
CL537-0487-0-51	32	10.2	7.5	8.3	8.7	8.3
CL537-0488-0-51	36	11.2	8.5	9.3	9.7	9.3
CL537-0489-0-51	40	12.2	9.5	10.3	10.7	10.3
CL537-0490-0-51	50	14.7	12.0	12.8	13.2	12.8
CL537-0491-0-51	60	17.2	14.5	15.3	15.7	15.3
CL537-0492-0-51	80	22.2	19.5	20.3	20.7	20.3



RECOMMEND METAL MASK PATTERN (10:1)



RECOMMENDED LAND PATTERN (10:1)

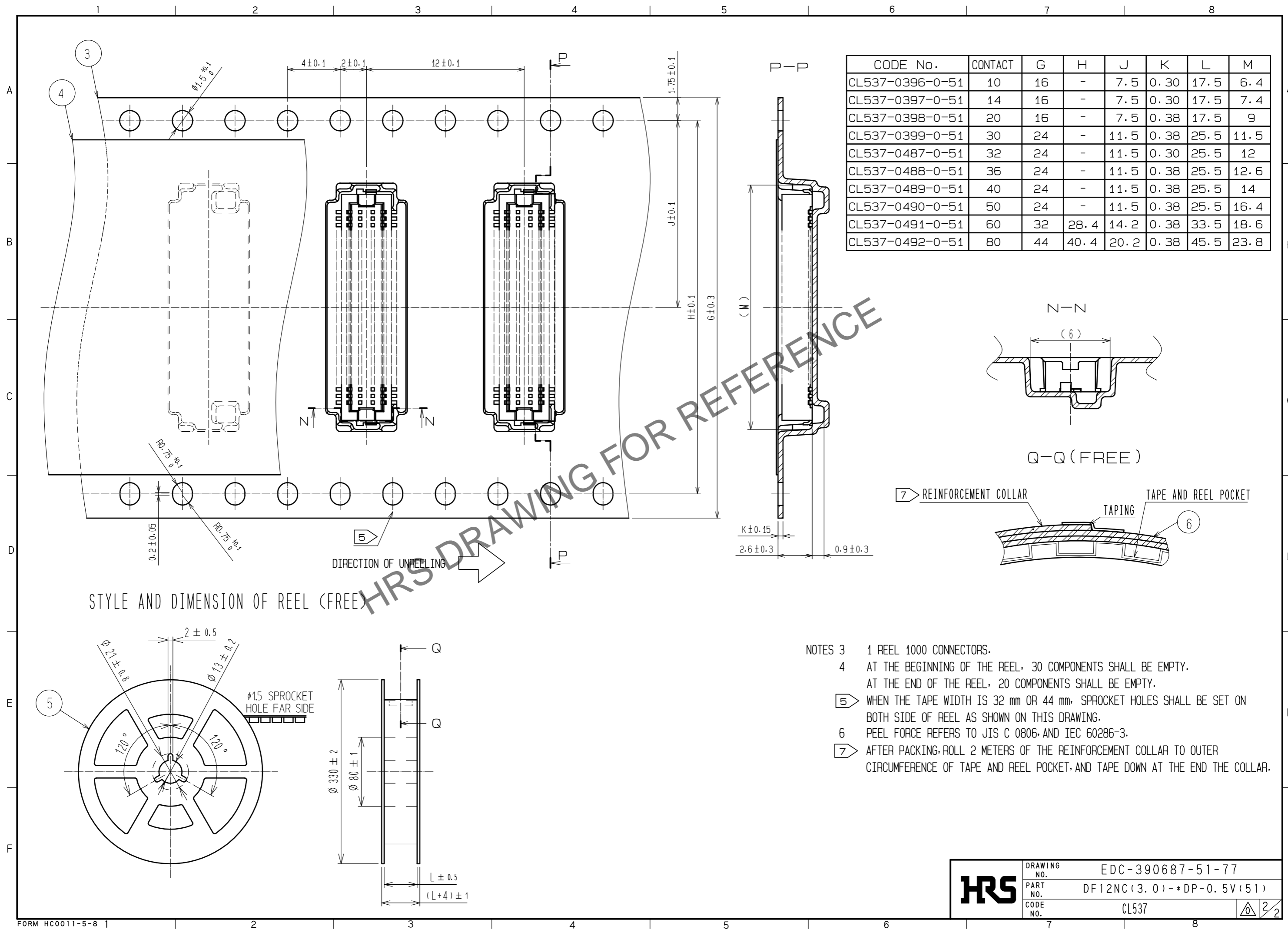


NOTES 1 LEAD CO-PLANARITY SHALL BE 0.08 mm MAX.
2 IF THERE IS PATTERN ON PART, THERE IS A POSSIBILITY THAT IT WILL MAKE CONTACT WITH THE LEADS.

NO.	MATERIAL	FINISH . REMARKS	NO.	MATERIAL	FINISH . REMARKS
2	PHOSPHOR BRONZE	CONTACT AREA:GOLD PLATED 0.2µm min LEAD AREA:GOLD PLATED 0.015µm min OTHERS(UNDER PLATING):NICKEL PLATED 2µm min	6	PS	CLEAR (REINFORCEMENT COLLAR)
			5	PS	BLACK (PLASTIC REEL)
			4	POLYESTER	CLEAR (COVER TAPE)
1	POLYAMIDE	UL94V-0 . BLACK	3	PS	CLEAR (EMBOSSED CARRIER TAPE)

UNITS	SCALE	COUNT	DESCRIPTION OF REVISIONS	DESIGNED	CHECKED	DATE
mm	5 : 1	0				

APPROVED : WR. FUKUCHI	20200702	DRAWING NO.	EDC-390687-51-77
CHECED : TS. MIYAZAKI	20200702	PART NO.	DF12NC(3.0)-*DP-0.5V(51)
DESIGNED : RN. IIDA	20200702	CODE NO.	CL537
DRAWN : RN. IIDA	20200702		



HRS	DRAWING NO.	EDC-390687-51-77
	PART NO.	DF12NC(3.0)-*DP-0.5V(51)
	CODE NO.	CL537

2/2