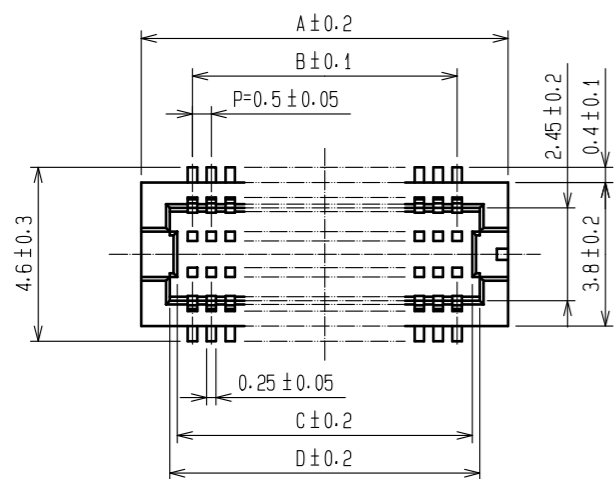
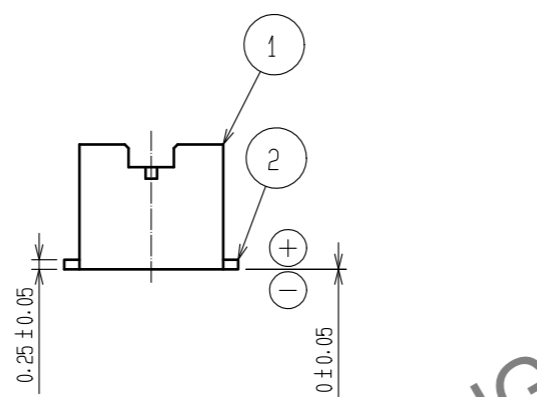
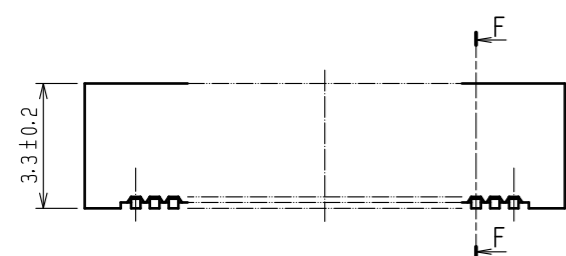
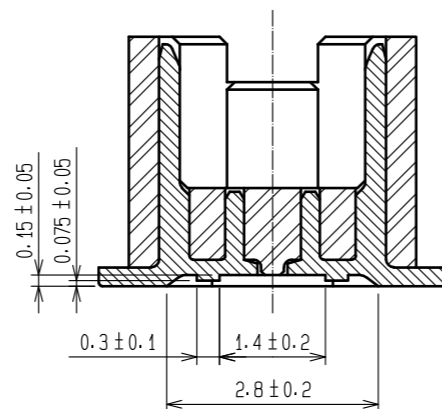


Jan.1.2025 Copyright 2025 HIROSE ELECTRIC CO., LTD. All Rights Reserved.
 In case of consideration for using Automotive equipment / device which demand high reliability, kindly contact our sales window correspondents.

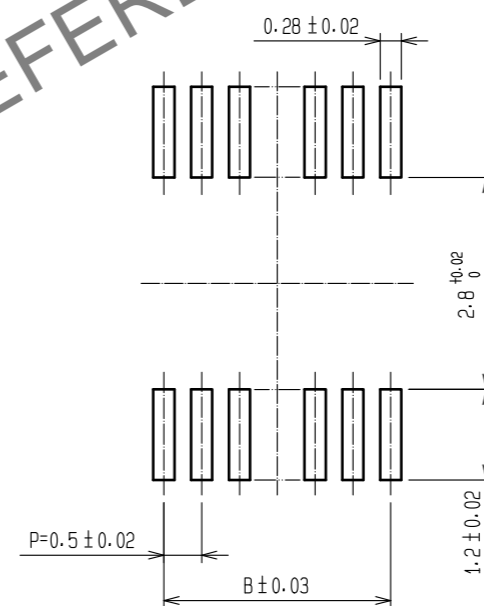


F-F (10:1)

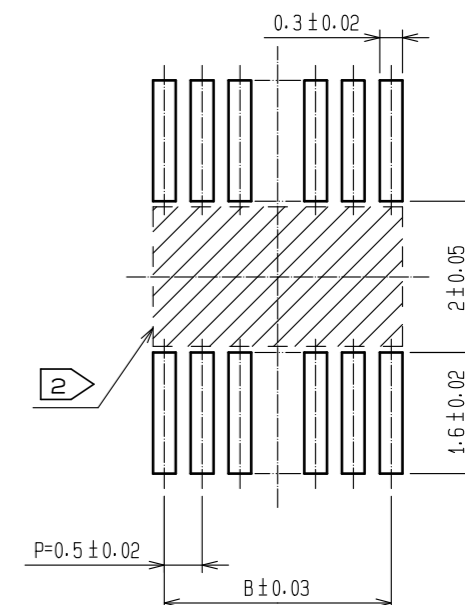


CODE No.	CONTACT	A	B	C	D	E
CL537-0599-0-51	20	7.2	4.5	5.3	5.7	5.3
CL537-0699-0-51	30	9.7	7.0	7.8	8.2	7.8
CL537-0872-0-51	32	10.2	7.5	8.3	8.7	8.3
CL537-0873-0-51	36	11.2	8.5	9.3	9.7	9.3
CL537-0874-0-51	40	12.2	9.5	10.3	10.7	10.3
CL537-0875-0-51	50	14.7	12.0	12.8	13.2	12.8
CL537-0876-0-51	60	17.2	14.5	15.3	15.7	15.3

RECOMMEND METAL MASK PATTERN (10:1)

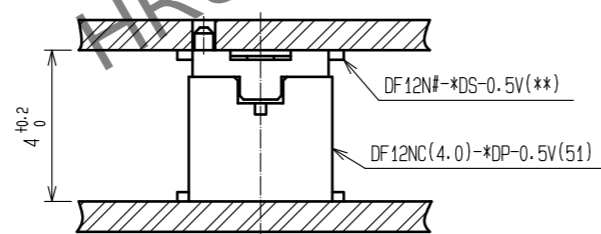


RECOMMENDED LAND PATTERN (10:1)



METAL MASK THICKNESS : 120 μm

NOTES 1 LEAD CO-PLANARITY SHALL BE 0.08 mm MAX.
 2 IF THERE IS PATTERN ON PART, THERE IS A POSSIBILITY THAT IT WILL MAKE CONTACT WITH THE LEADS.

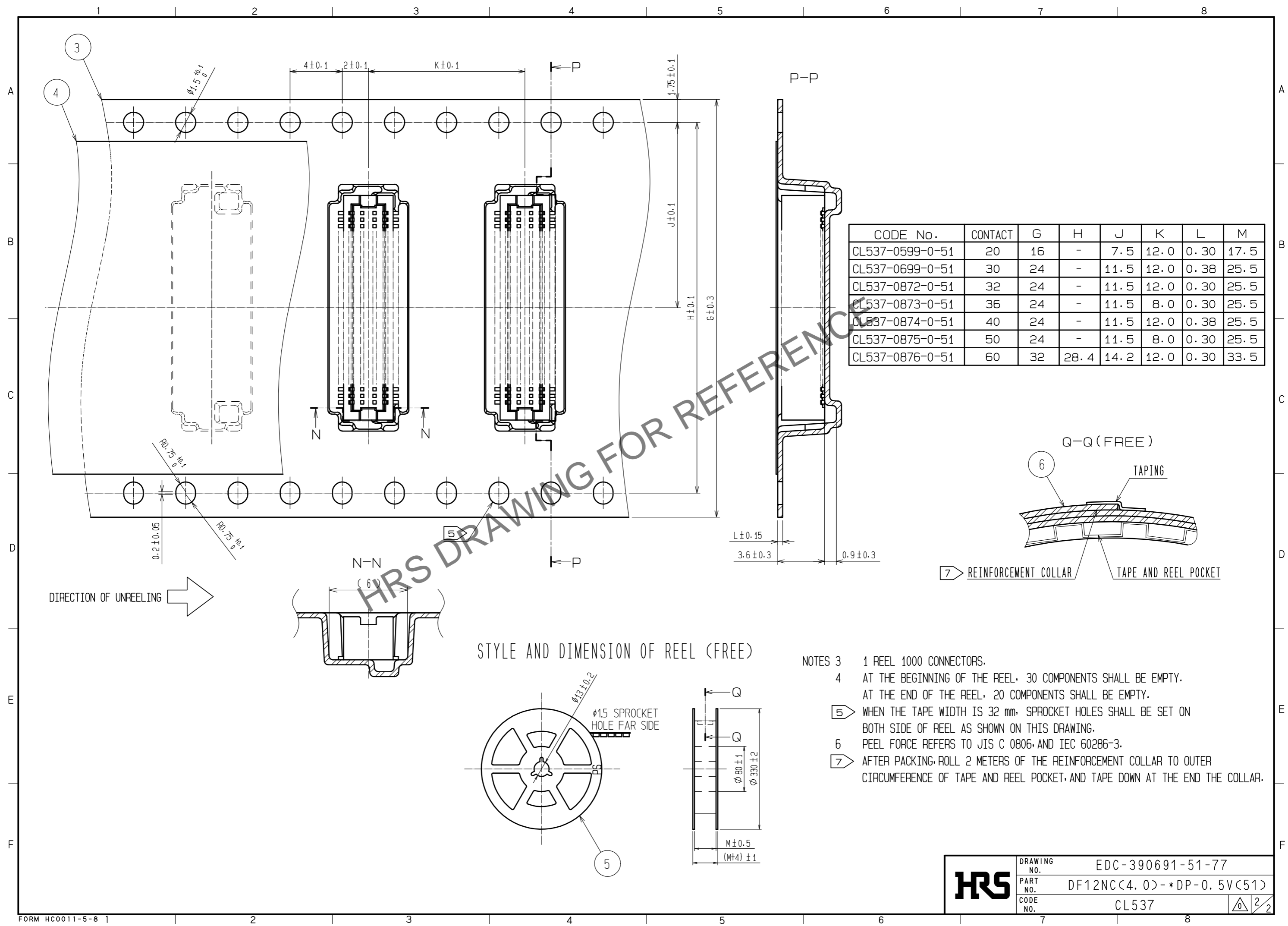


NO.	MATERIAL	FINISH . REMARKS	NO.	MATERIAL	FINISH . REMARKS
2	PHOSPHOR BRONZE	CONTACT AREA:GOLD PLATED 0.2μm min LEAD AREA:GOLD PLATED 0.015μm min OTHERS(UNDER PLATING):NICKEL PLATED 2μm min	6	PS	CLEAR (REINFORCEMENT COLLAR)
			5	PS	BLACK (PLASTIC REEL)
			4	POLYESTER	CLEAR (COVER TAPE)
1	POLYAMIDE	UL94V-0 . BLACK	3	PS	CLEAR (EMBOSSED CARRIER TAPE)

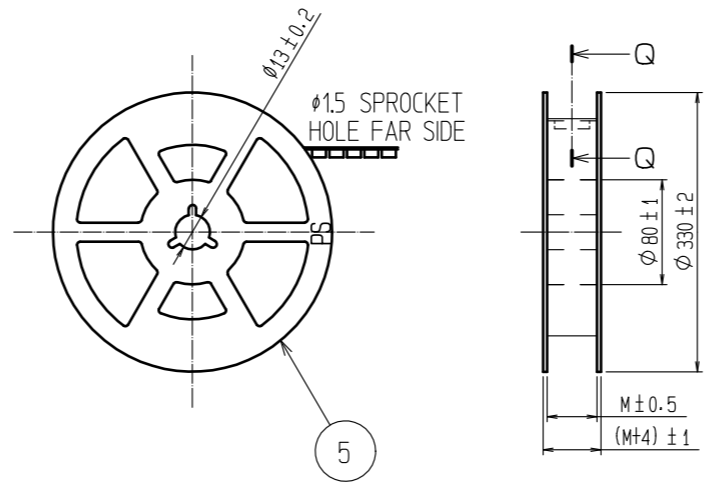
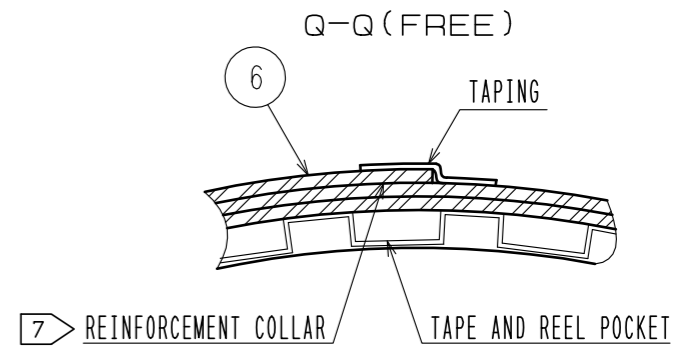
UNITS	SCALE	COUNT	DESCRIPTION OF REVISIONS	DESIGNED	CHECKED	DATE
mm	5 : 1	△	APPROVED : WR. FUKUCHI 20200702			
			CHECKED : TS. MIYAZAKI 20200702			
			DESIGNED : RN. IIDA 20200702			
			DRAWN : RN. IIDA 20200702			

DRAWING NO.	PART NO.	CODE NO.
EDC-390691-51-77	DF12NC(4.0)-#DP-0.5V(51)	CL537

Jan.1.2025 Copyright 2025 HIROSE ELECTRIC CO., LTD. All Rights Reserved.
In case of consideration for using Automotive equipment / device which demand high reliability, kindly contact our sales window correspondents.



CODE No.	CONTACT	G	H	J	K	L	M
CL537-0599-0-51	20	16	-	7.5	12.0	0.30	17.5
CL537-0699-0-51	30	24	-	11.5	12.0	0.38	25.5
CL537-0872-0-51	32	24	-	11.5	12.0	0.30	25.5
CL537-0873-0-51	36	24	-	11.5	8.0	0.30	25.5
CL537-0874-0-51	40	24	-	11.5	12.0	0.38	25.5
CL537-0875-0-51	50	24	-	11.5	8.0	0.30	25.5
CL537-0876-0-51	60	32	28.4	14.2	12.0	0.30	33.5



- NOTES 3 1 REEL 1000 CONNECTORS.
4 AT THE BEGINNING OF THE REEL, 30 COMPONENTS SHALL BE EMPTY.
AT THE END OF THE REEL, 20 COMPONENTS SHALL BE EMPTY.
5 WHEN THE TAPE WIDTH IS 32 mm, SPROCKET HOLES SHALL BE SET ON BOTH SIDE OF REEL AS SHOWN ON THIS DRAWING.
6 PEEL FORCE REFERS TO JIS C 0806, AND IEC 60286-3.
7 AFTER PACKING, ROLL 2 METERS OF THE REINFORCEMENT COLLAR TO OUTER CIRCUMFERENCE OF TAPE AND REEL POCKET, AND TAPE DOWN AT THE END THE COLLAR.

HRS
DRAWING NO. EDC-390691-51-77
PART NO. DF12NC(4.0)-*DP-0.5V(51)
CODE NO. CL537
2/2