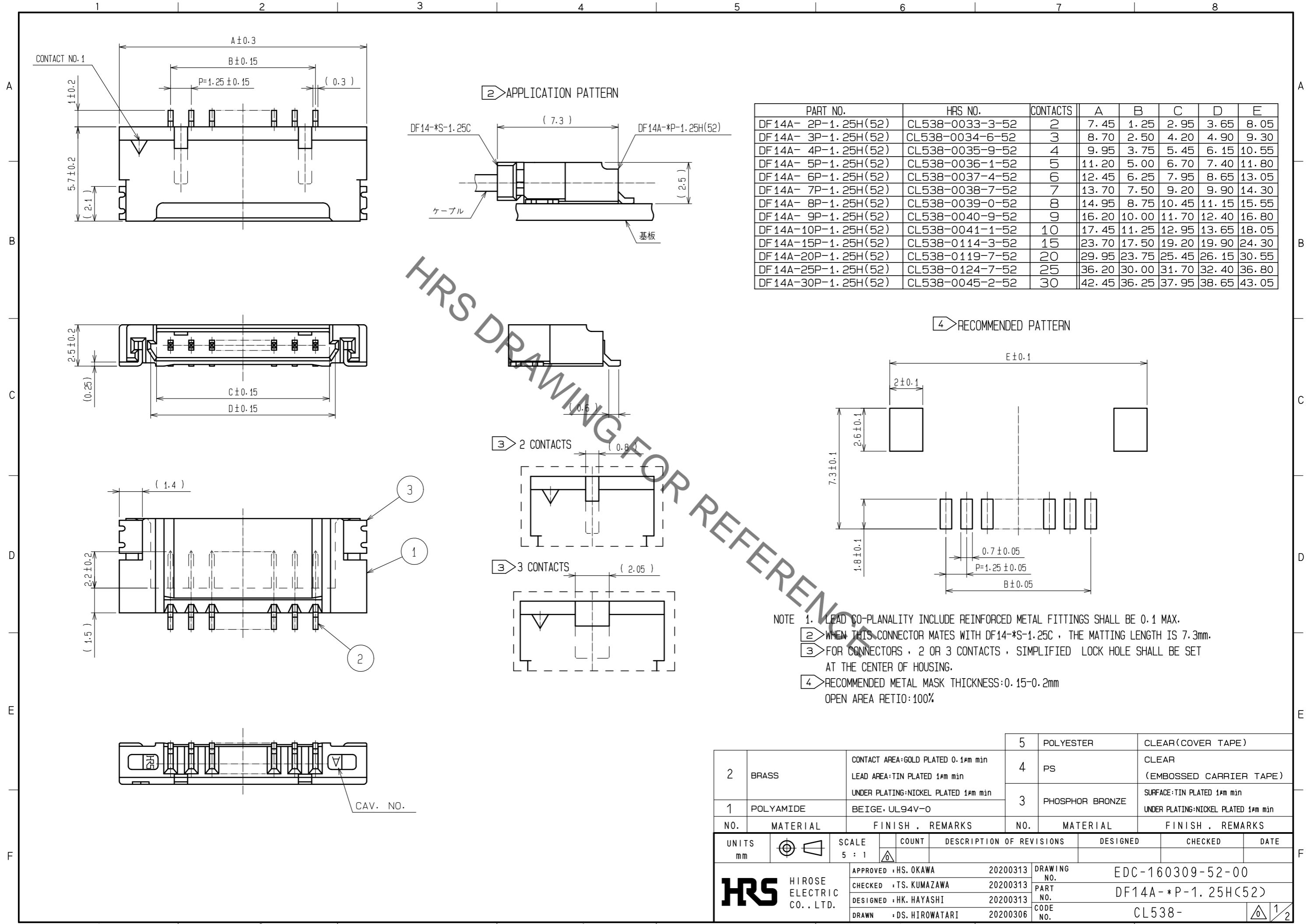


Sep.1.2021 Copyright 2021 HIROSE ELECTRIC CO., LTD. All Rights Reserved.
In case of consideration for using Automotive equipment / device which demand high reliability, kindly contact our sales window correspondents.



PART NO.	HRS NO.	CONTACTS	A	B	C	D	E
DF14A- 2P-1.25H(52)	CL538-0033-3-52	2	7.45	1.25	2.95	3.65	8.05
DF14A- 3P-1.25H(52)	CL538-0034-6-52	3	8.70	2.50	4.20	4.90	9.30
DF14A- 4P-1.25H(52)	CL538-0035-9-52	4	9.95	3.75	5.45	6.15	10.55
DF14A- 5P-1.25H(52)	CL538-0036-1-52	5	11.20	5.00	6.70	7.40	11.80
DF14A- 6P-1.25H(52)	CL538-0037-4-52	6	12.45	6.25	7.95	8.65	13.05
DF14A- 7P-1.25H(52)	CL538-0038-7-52	7	13.70	7.50	9.20	9.90	14.30
DF14A- 8P-1.25H(52)	CL538-0039-0-52	8	14.95	8.75	10.45	11.15	15.55
DF14A- 9P-1.25H(52)	CL538-0040-9-52	9	16.20	10.00	11.70	12.40	16.80
DF14A-10P-1.25H(52)	CL538-0041-1-52	10	17.45	11.25	12.95	13.65	18.05
DF14A-15P-1.25H(52)	CL538-0114-3-52	15	23.70	17.50	19.20	19.90	24.30
DF14A-20P-1.25H(52)	CL538-0119-7-52	20	29.95	23.75	25.45	26.15	30.55
DF14A-25P-1.25H(52)	CL538-0124-7-52	25	36.20	30.00	31.70	32.40	36.80
DF14A-30P-1.25H(52)	CL538-0045-2-52	30	42.45	36.25	37.95	38.65	43.05

HRS DRAWING FOR REFERENCE

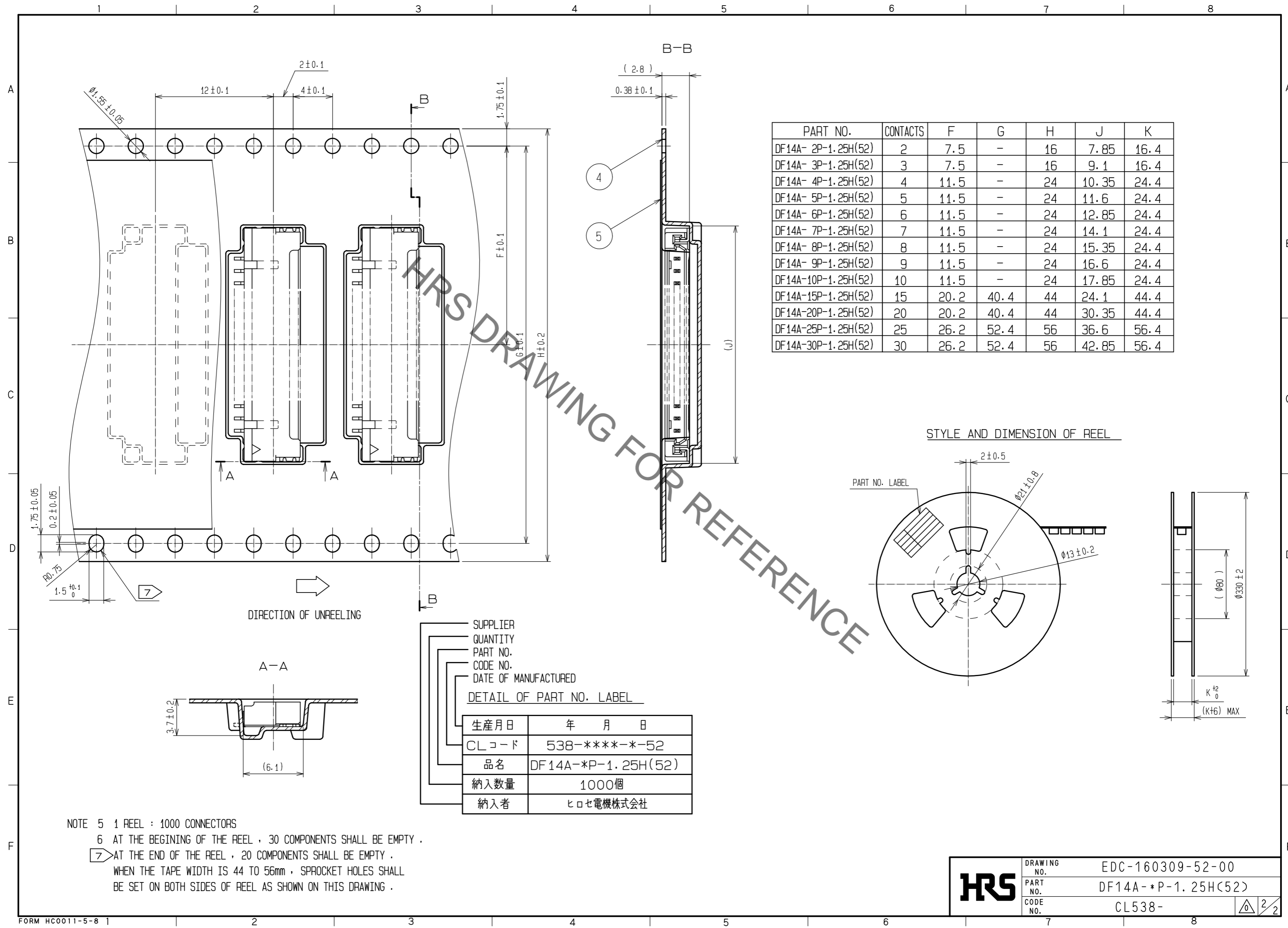
- NOTE 1. LEAD CO-PLANALITY INCLUDE REINFORCED METAL FITTINGS SHALL BE 0.1 MAX.
 2 WHEN THIS CONNECTOR MATES WITH DF14-*S-1.25C, THE MATTING LENGTH IS 7.3mm.
 3 FOR CONNECTORS, 2 OR 3 CONTACTS, SIMPLIFIED LOCK HOLE SHALL BE SET AT THE CENTER OF HOUSING.
 4 RECOMMENDED METAL MASK THICKNESS:0.15-0.2mm
 OPEN AREA RETIO:100%

NO.	MATERIAL	FINISH . REMARKS	NO.	MATERIAL	FINISH . REMARKS
2	BRASS	CONTACT AREA:GOLD PLATED 0.1μm min LEAD AREA:TIN PLATED 1μm min UNDER PLATING:NICKEL PLATED 1μm min	5	POLYESTER	CLEAR(COVER TAPE)
1	POLYAMIDE	BEIGE . UL94V-0	4	PS	CLEAR (EMBOSSED CARRIER TAPE)
			3	PHOSPHOR BRONZE	SURFACE:TIN PLATED 1μm min UNDER PLATING:NICKEL PLATED 1μm min

UNITS	SCALE	COUNT	DESCRIPTION OF REVISIONS	DESIGNED	CHECKED	DATE
mm	5 : 1	△				

HRS HIROSE ELECTRIC CO., LTD.	APPROVED : HS. OKAWA	20200313	DRAWING NO.	EDC-160309-52-00
	CHECKED : TS. KUMAZAWA	20200313	PART NO.	DF14A-*P-1.25H(52)
	DESIGNED : HK. HAYASHI	20200313	CODE NO.	CL538-
	DRAWN : DS. HIROWATARI	20200306		

Sep.1.2021 Copyright 2021 HIROSE ELECTRIC CO., LTD. All Rights Reserved.
 In case of consideration for using Automotive equipment / device which demand high reliability, kindly contact our sales window correspondents.



PART NO.	CONTACTS	F	G	H	J	K
DF14A- 2P-1.25H(52)	2	7.5	-	16	7.85	16.4
DF14A- 3P-1.25H(52)	3	7.5	-	16	9.1	16.4
DF14A- 4P-1.25H(52)	4	11.5	-	24	10.35	24.4
DF14A- 5P-1.25H(52)	5	11.5	-	24	11.6	24.4
DF14A- 6P-1.25H(52)	6	11.5	-	24	12.85	24.4
DF14A- 7P-1.25H(52)	7	11.5	-	24	14.1	24.4
DF14A- 8P-1.25H(52)	8	11.5	-	24	15.35	24.4
DF14A- 9P-1.25H(52)	9	11.5	-	24	16.6	24.4
DF14A-10P-1.25H(52)	10	11.5	-	24	17.85	24.4
DF14A-15P-1.25H(52)	15	20.2	40.4	44	24.1	44.4
DF14A-20P-1.25H(52)	20	20.2	40.4	44	30.35	44.4
DF14A-25P-1.25H(52)	25	26.2	52.4	56	36.6	56.4
DF14A-30P-1.25H(52)	30	26.2	52.4	56	42.85	56.4

HRS DRAWING FOR REFERENCE

SUPPLIER
 QUANTITY
 PART NO.
 CODE NO.
 DATE OF MANUFACTURED

DETAIL OF PART NO. LABEL

生産月日	年 月 日
CLコード	538-****-*-52
品名	DF14A-*P-1.25H(52)
納入数量	1000個
納入者	ヒロセ電機株式会社

NOTE 5 1 REEL : 1000 CONNECTORS
 6 AT THE BEGINNING OF THE REEL , 30 COMPONENTS SHALL BE EMPTY .
 7 AT THE END OF THE REEL , 20 COMPONENTS SHALL BE EMPTY .
 WHEN THE TAPE WIDTH IS 44 TO 56mm , SPROCKET HOLES SHALL BE SET ON BOTH SIDES OF REEL AS SHOWN ON THIS DRAWING .

HRS	DRAWING NO.	EDC-160309-52-00
	PART NO.	DF14A-*P-1.25H(52)
	CODE NO.	CL538-

2/2