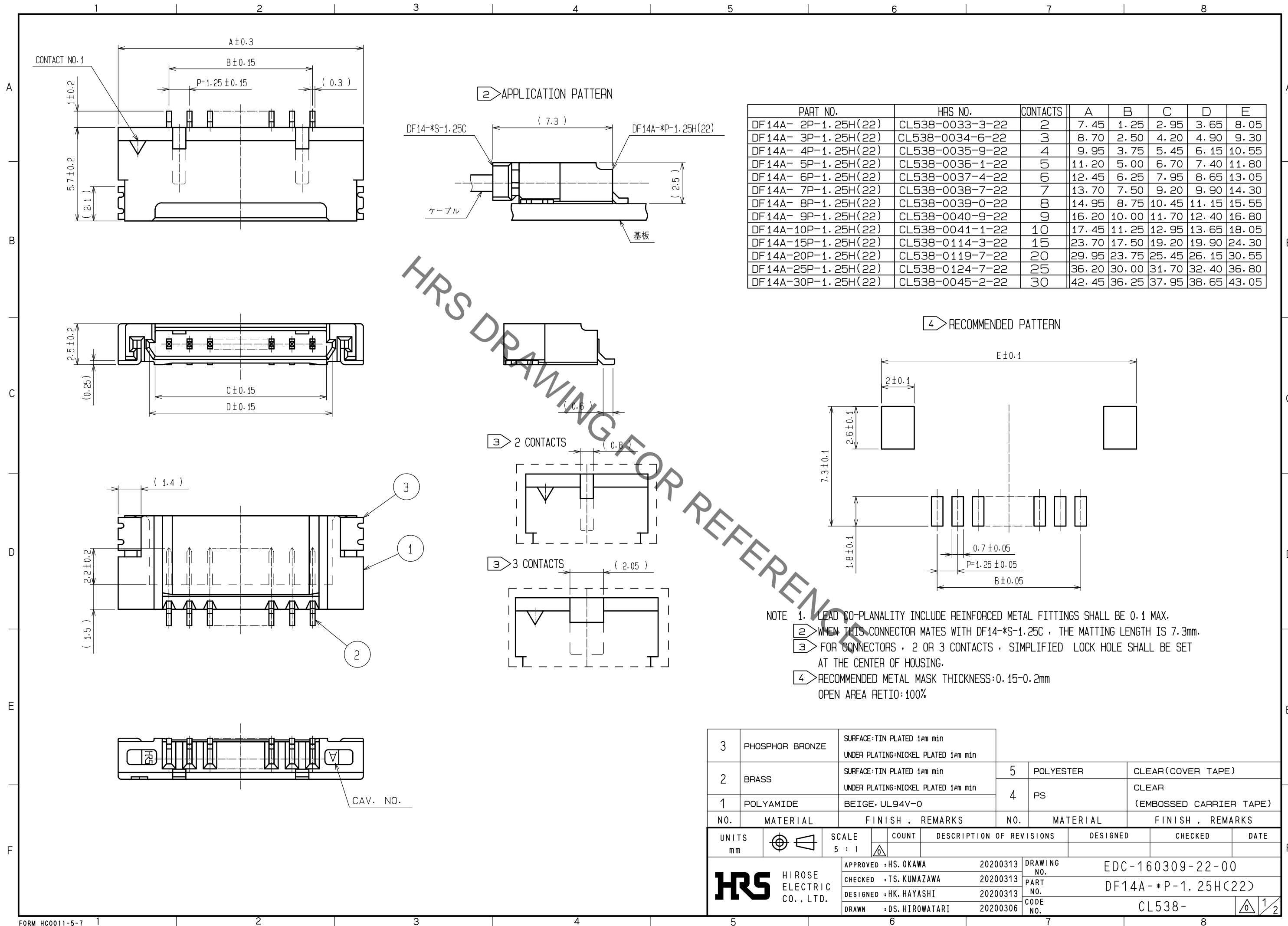
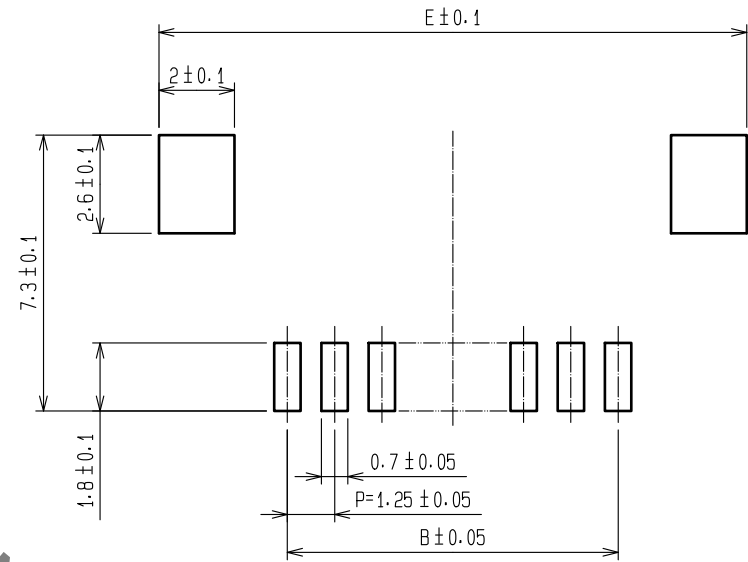


Aug.1.2021 Copyright 2021 HIROSE ELECTRIC CO., LTD. All Rights Reserved.
In case of consideration for using Automotive equipment / device which demand high reliability, kindly contact our sales window correspondents.



| PART NO. | HRS NO. | CONTACTS | A | B | C | D | E |
|---------------------|-----------------|----------|-------|-------|-------|-------|-------|
| DF14A- 2P-1.25H(22) | CL538-0033-3-22 | 2 | 7.45 | 1.25 | 2.95 | 3.65 | 8.05 |
| DF14A- 3P-1.25H(22) | CL538-0034-6-22 | 3 | 8.70 | 2.50 | 4.20 | 4.90 | 9.30 |
| DF14A- 4P-1.25H(22) | CL538-0035-9-22 | 4 | 9.95 | 3.75 | 5.45 | 6.15 | 10.55 |
| DF14A- 5P-1.25H(22) | CL538-0036-1-22 | 5 | 11.20 | 5.00 | 6.70 | 7.40 | 11.80 |
| DF14A- 6P-1.25H(22) | CL538-0037-4-22 | 6 | 12.45 | 6.25 | 7.95 | 8.65 | 13.05 |
| DF14A- 7P-1.25H(22) | CL538-0038-7-22 | 7 | 13.70 | 7.50 | 9.20 | 9.90 | 14.30 |
| DF14A- 8P-1.25H(22) | CL538-0039-0-22 | 8 | 14.95 | 8.75 | 10.45 | 11.15 | 15.55 |
| DF14A- 9P-1.25H(22) | CL538-0040-9-22 | 9 | 16.20 | 10.00 | 11.70 | 12.40 | 16.80 |
| DF14A-10P-1.25H(22) | CL538-0041-1-22 | 10 | 17.45 | 11.25 | 12.95 | 13.65 | 18.05 |
| DF14A-15P-1.25H(22) | CL538-0114-3-22 | 15 | 23.70 | 17.50 | 19.20 | 19.90 | 24.30 |
| DF14A-20P-1.25H(22) | CL538-0119-7-22 | 20 | 29.95 | 23.75 | 25.45 | 26.15 | 30.55 |
| DF14A-25P-1.25H(22) | CL538-0124-7-22 | 25 | 36.20 | 30.00 | 31.70 | 32.40 | 36.80 |
| DF14A-30P-1.25H(22) | CL538-0045-2-22 | 30 | 42.45 | 36.25 | 37.95 | 38.65 | 43.05 |

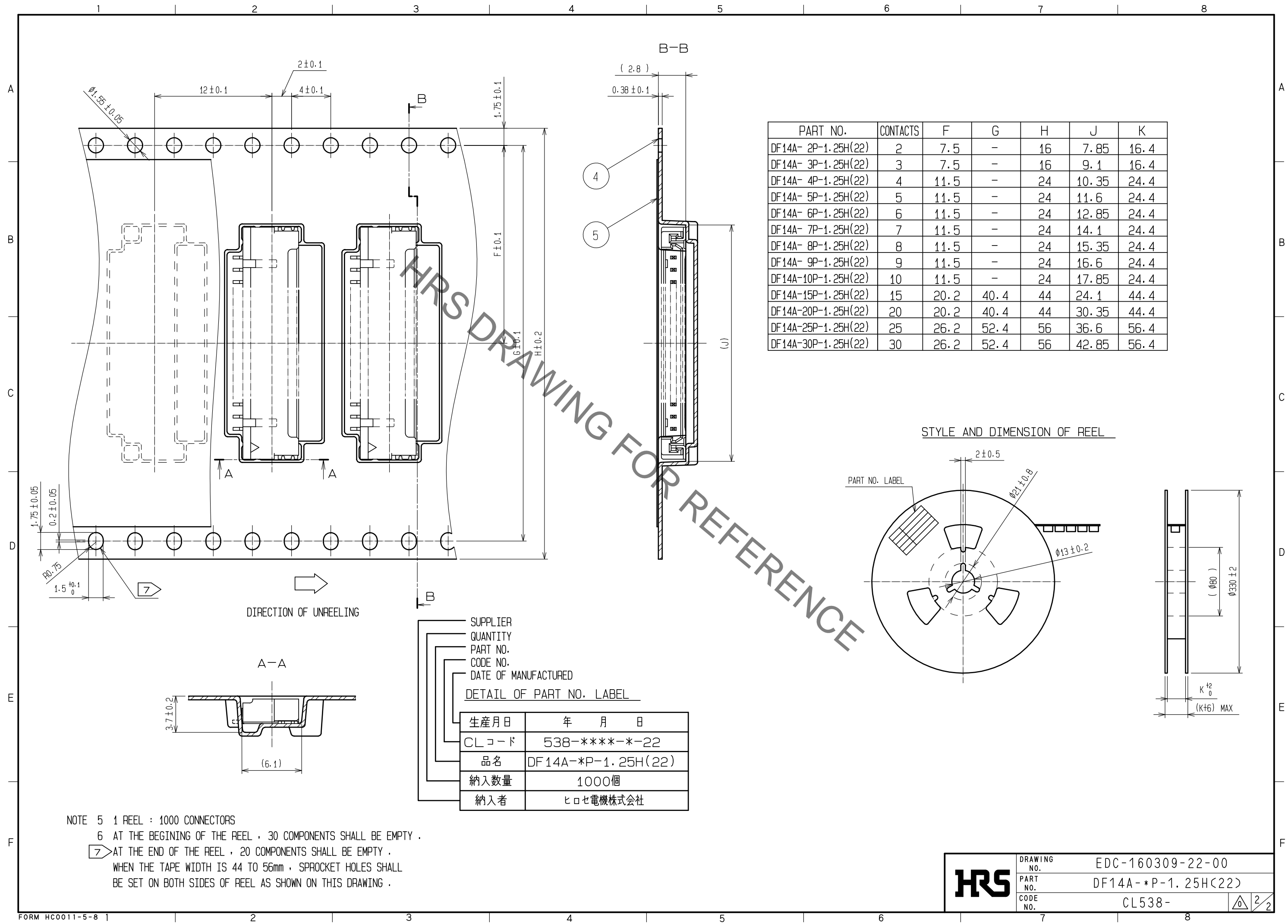
4 RECOMMENDED PATTERN



- NOTE 1. LEAD CO-PLANALITY INCLUDE REINFORCED METAL FITTINGS SHALL BE 0.1 MAX.
 2 WHEN THIS CONNECTOR MATES WITH DF14-*S-1.25C, THE MATTING LENGTH IS 7.3mm.
 3 FOR CONNECTORS, 2 OR 3 CONTACTS, SIMPLIFIED LOCK HOLE SHALL BE SET AT THE CENTER OF HOUSING.
 4 RECOMMENDED METAL MASK THICKNESS:0.15-0.2mm
 OPEN AREA RETIO:100%

| 3 | PHOSPHOR BRONZE | SURFACE:TIN PLATED 1μm min UNDER PLATING:NICKEL PLATED 1μm min | 5 | POLYESTER | CLEAR(COVER TAPE) |
|---------------------------------|-----------------|---|------------------------------|--------------------------|----------------------------------|
| 2 | BRASS | SURFACE:TIN PLATED 1μm min UNDER PLATING:NICKEL PLATED 1μm min | 4 | PS | CLEAR (EMBOSSED CARRIER TAPE) |
| 1 | POLYAMIDE | BEIGE, UL94V-0 | | | |
| NO. | MATERIAL | FINISH, REMARKS | NO. | MATERIAL | FINISH, REMARKS |
| UNITS mm | | SCALE 5 : 1 | COUNT | DESCRIPTION OF REVISIONS | |
| DESIGNED | | CHECKED | | DATE | |
| APPROVED : HS. OKAWA 20200313 | | | DRAWING NO. EDC-160309-22-00 | | |
| CHECKED : TS. KUMAZAWA 20200313 | | | PART NO. DF14A-*P-1.25H(22) | | |
| DESIGNED : HK. HAYASHI 20200313 | | | CODE NO. CL538- | | |
| DRAWN : DS. HIROWATARI 20200306 | | | 1/2 | | |

Aug.1.2021 Copyright 2021 HIROSE ELECTRIC CO., LTD. All Rights Reserved.
In case of consideration for using Automotive equipment / device which demand high reliability, kindly contact our sales window correspondents.



| PART NO. | CONTACTS | F | G | H | J | K |
|---------------------|----------|------|------|----|-------|------|
| DF14A- 2P-1.25H(22) | 2 | 7.5 | - | 16 | 7.85 | 16.4 |
| DF14A- 3P-1.25H(22) | 3 | 7.5 | - | 16 | 9.1 | 16.4 |
| DF14A- 4P-1.25H(22) | 4 | 11.5 | - | 24 | 10.35 | 24.4 |
| DF14A- 5P-1.25H(22) | 5 | 11.5 | - | 24 | 11.6 | 24.4 |
| DF14A- 6P-1.25H(22) | 6 | 11.5 | - | 24 | 12.85 | 24.4 |
| DF14A- 7P-1.25H(22) | 7 | 11.5 | - | 24 | 14.1 | 24.4 |
| DF14A- 8P-1.25H(22) | 8 | 11.5 | - | 24 | 15.35 | 24.4 |
| DF14A- 9P-1.25H(22) | 9 | 11.5 | - | 24 | 16.6 | 24.4 |
| DF14A-10P-1.25H(22) | 10 | 11.5 | - | 24 | 17.85 | 24.4 |
| DF14A-15P-1.25H(22) | 15 | 20.2 | 40.4 | 44 | 24.1 | 44.4 |
| DF14A-20P-1.25H(22) | 20 | 20.2 | 40.4 | 44 | 30.35 | 44.4 |
| DF14A-25P-1.25H(22) | 25 | 26.2 | 52.4 | 56 | 36.6 | 56.4 |
| DF14A-30P-1.25H(22) | 30 | 26.2 | 52.4 | 56 | 42.85 | 56.4 |

STYLE AND DIMENSION OF REEL

HRS DRAWING FOR REFERENCE

SUPPLIER
QUANTITY
PART NO.
CODE NO.
DATE OF MANUFACTURED

DETAIL OF PART NO. LABEL

| | |
|-------|--------------------|
| 生産月日 | 年 月 日 |
| CLコード | 538-****-*-22 |
| 品名 | DF14A-*P-1.25H(22) |
| 納入数量 | 1000個 |
| 納入者 | ヒロセ電機株式会社 |

NOTE 5 1 REEL : 1000 CONNECTORS
6 AT THE BEGINNING OF THE REEL , 30 COMPONENTS SHALL BE EMPTY .
7 AT THE END OF THE REEL , 20 COMPONENTS SHALL BE EMPTY .
WHEN THE TAPE WIDTH IS 44 TO 56mm , SPROCKET HOLES SHALL BE SET ON BOTH SIDES OF REEL AS SHOWN ON THIS DRAWING .

| | | |
|------------|-------------|--------------------|
| HRS | DRAWING NO. | EDC-160309-22-00 |
| | PART NO. | DF14A-*P-1.25H(22) |
| | CODE NO. | CL538- |

2/2