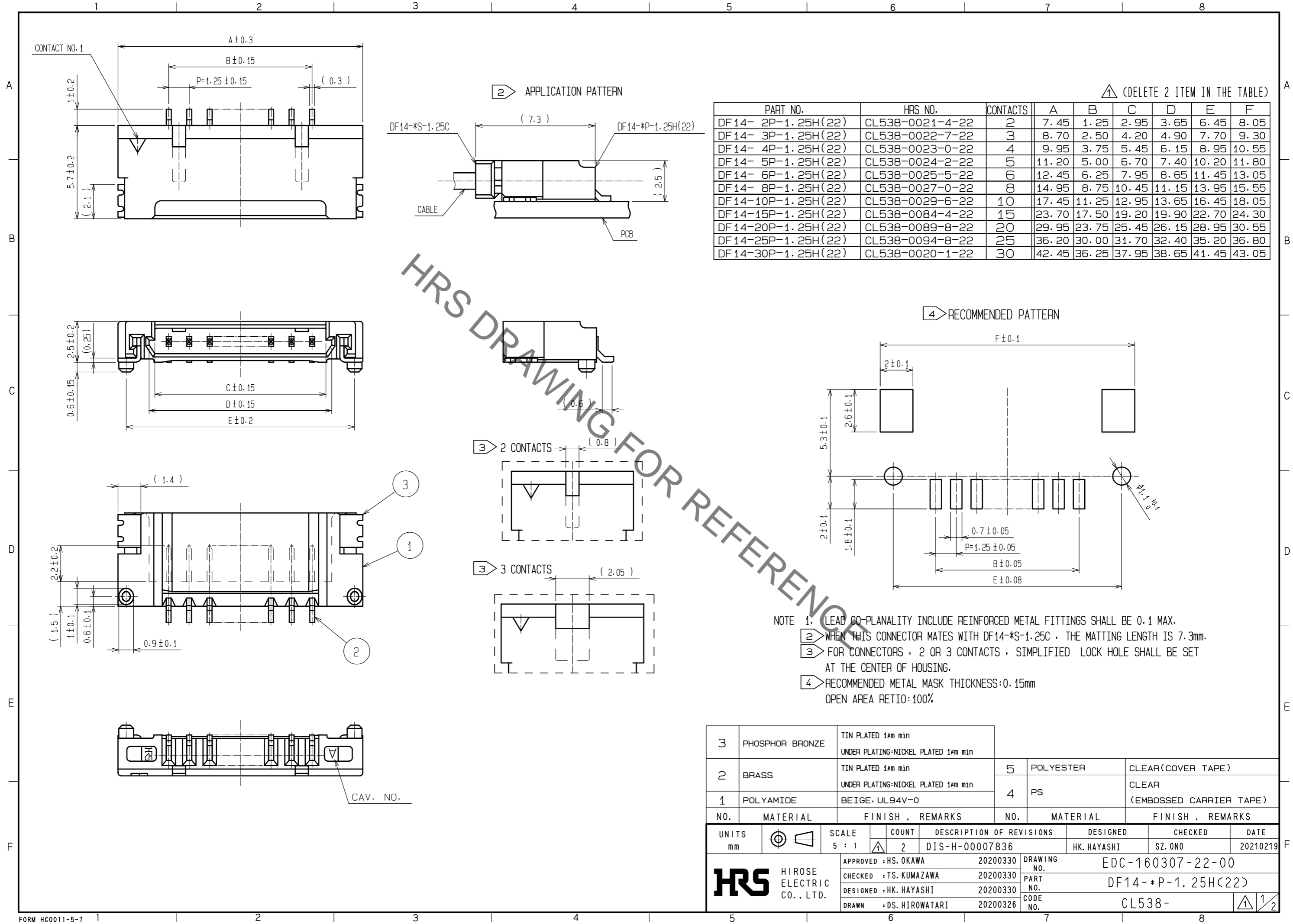


Aug.1.2021 Copyright 2021 HIROSE ELECTRIC CO., LTD. All Rights Reserved.  
In case of consideration for using Automotive equipment / device which demand high reliability, kindly contact our sales window correspondents.



△ (DELETE 2 ITEM IN THE TABLE)

PART NO.	HRS NO.	CONTACTS	A	B	C	D	E	F
DF 14- 2P-1.25H(22)	CL538-0021-4-22	2	7.45	1.25	2.95	3.65	6.45	8.05
DF 14- 3P-1.25H(22)	CL538-0022-7-22	3	8.70	2.50	4.20	4.90	7.70	9.30
DF 14- 4P-1.25H(22)	CL538-0023-0-22	4	9.95	3.75	5.45	6.15	8.95	10.55
DF 14- 5P-1.25H(22)	CL538-0024-2-22	5	11.20	5.00	6.70	7.40	10.20	11.80
DF 14- 6P-1.25H(22)	CL538-0025-5-22	6	12.45	6.25	7.95	8.65	11.45	13.05
DF 14- 8P-1.25H(22)	CL538-0027-0-22	8	14.95	8.75	10.45	11.15	13.95	15.55
DF 14-10P-1.25H(22)	CL538-0029-6-22	10	17.45	11.25	12.95	13.65	16.45	18.05
DF 14-15P-1.25H(22)	CL538-0084-4-22	15	23.70	17.50	19.20	19.90	22.70	24.30
DF 14-20P-1.25H(22)	CL538-0089-8-22	20	29.95	23.75	25.45	26.15	28.95	30.55
DF 14-25P-1.25H(22)	CL538-0094-8-22	25	36.20	30.00	31.70	32.40	35.20	36.80
DF 14-30P-1.25H(22)	CL538-0020-1-22	30	42.45	36.25	37.95	38.65	41.45	43.05

- NOTE 1. LEAD CO-PLANALITY INCLUDE REINFORCED METAL FITTINGS SHALL BE 0.1 MAX.  
 2. WHEN THIS CONNECTOR MATES WITH DF14-\*S-1.25C, THE MATTING LENGTH IS 7.3mm.  
 3. FOR CONNECTORS, 2 OR 3 CONTACTS, SIMPLIFIED LOCK HOLE SHALL BE SET AT THE CENTER OF HOUSING.  
 4. RECOMMENDED METAL MASK THICKNESS:0.15mm  
 OPEN AREA RATIO:100%

NO.	MATERIAL	FINISH . REMARKS	NO.	MATERIAL	FINISH . REMARKS
3	PHOSPHOR BRONZE	TIN PLATED 1#m min UNDER PLATING:NICKEL PLATED 1#m min	5	POLYESTER	CLEAR(COVER TAPE)
2	BRASS	TIN PLATED 1#m min UNDER PLATING:NICKEL PLATED 1#m min	4	PS	CLEAR (EMBOSSSED CARRIER TAPE)
1	POLYAMIDE	BEIGE, UL94V-0			

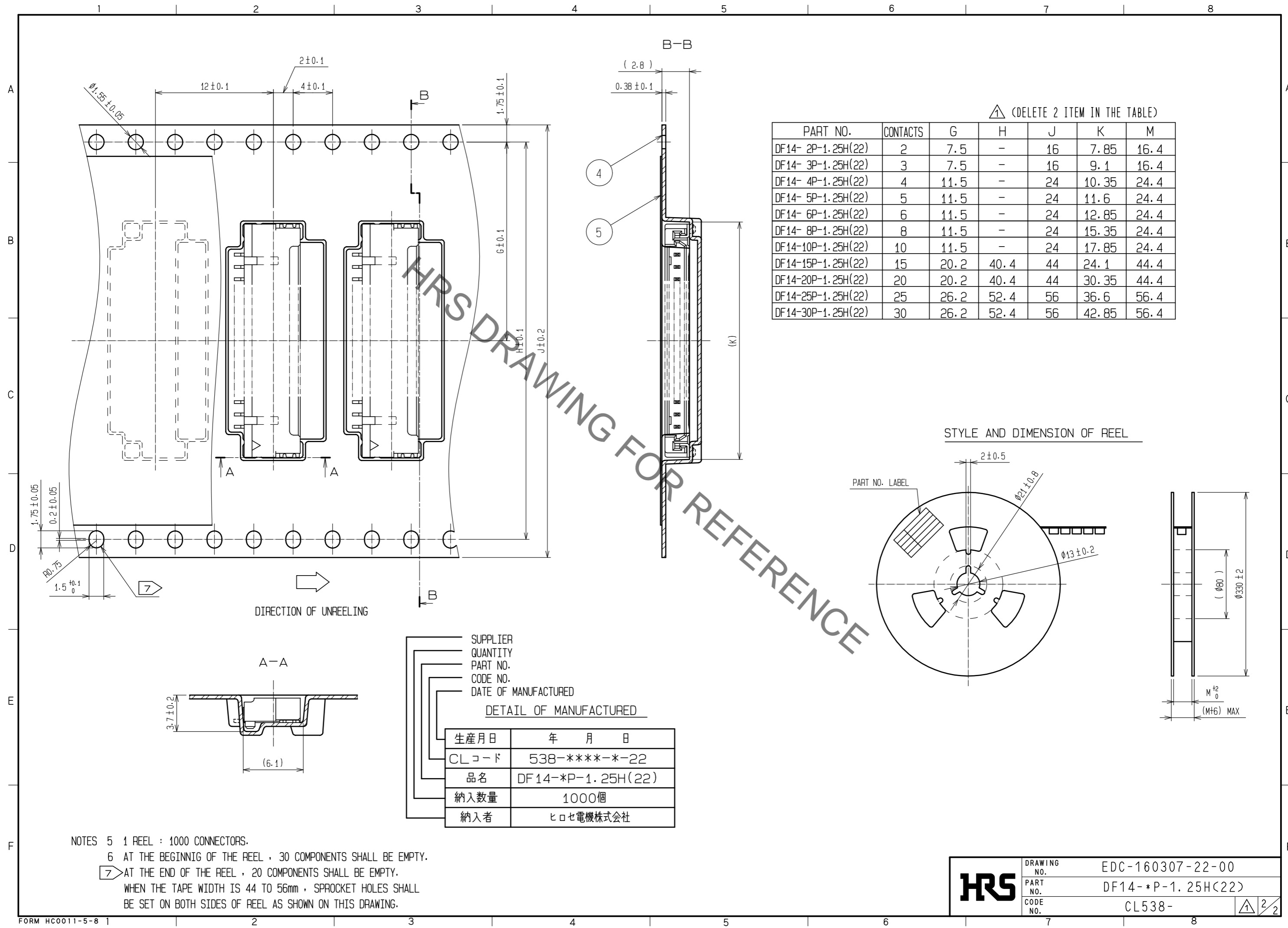
  

UNITS	SCALE	COUNT	DESCRIPTION OF REVISIONS	DESIGNED	CHECKED	DATE
mm	5 : 1	2	DIS-H-00007836	HK. HAYASHI	SZ. ONO	20210219

APPROVED : HS. OKAWA	20200330	DRAWING NO.	EDC-160307-22-00
CHECKED : TS. KUMAZAWA	20200330	PART NO.	DF14- *P-1.25H(22)
DESIGNED : HK. HAYASHI	20200330	CODE NO.	CL538-
DRAWN : DS. HIROWATARI	20200326		

Aug.1.2021 Copyright 2021 HIROSE ELECTRIC CO., LTD. All Rights Reserved.  
 In case of consideration for using Automotive equipment / device which demand high reliability, kindly contact our sales window correspondents.



△ (DELETE 2 ITEM IN THE TABLE)

STYLE AND DIMENSION OF REEL

NOTES  
 5 1 REEL : 1000 CONNECTORS.  
 6 AT THE BEGINNIG OF THE REEL , 30 COMPONENTS SHALL BE EMPTY.  
 7 AT THE END OF THE REEL , 20 COMPONENTS SHALL BE EMPTY.  
 WHEN THE TAPE WIDTH IS 44 TO 56mm , SPROCKET HOLES SHALL BE SET ON BOTH SIDES OF REEL AS SHOWN ON THIS DRAWING.

<b>HRS</b>	DRAWING NO.	EDC-160307-22-00
	PART NO.	DF14-*P-1.25H(22)
	CODE NO.	CL538-

1/2