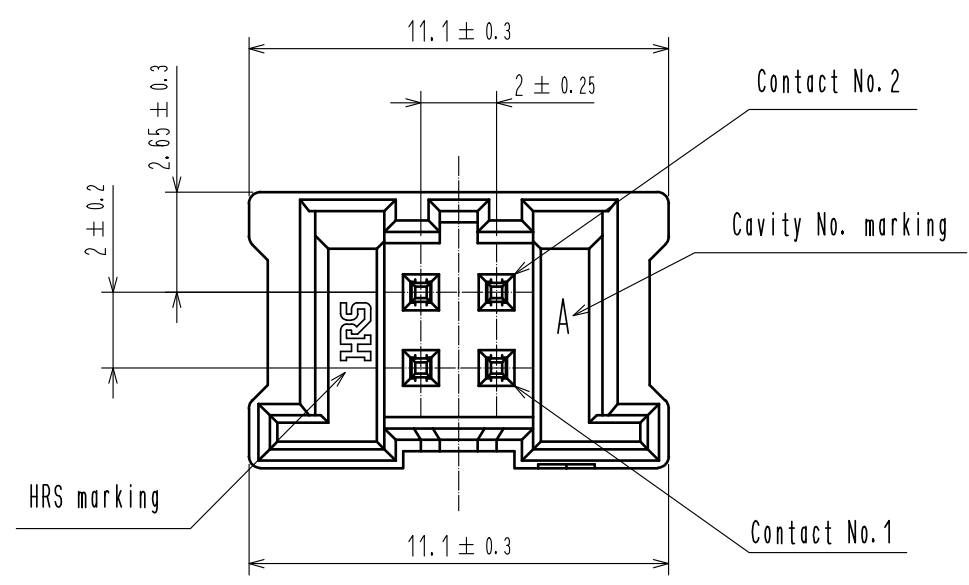
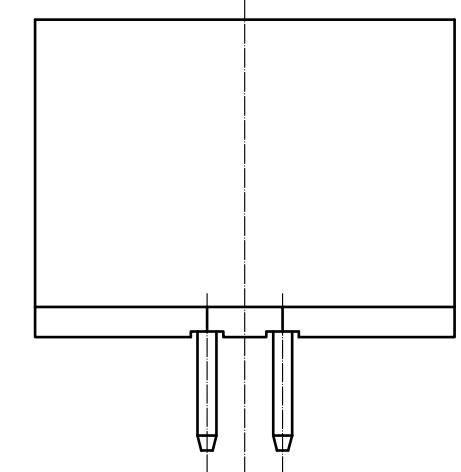
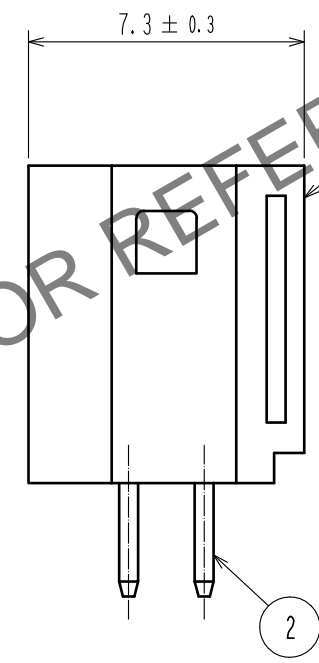
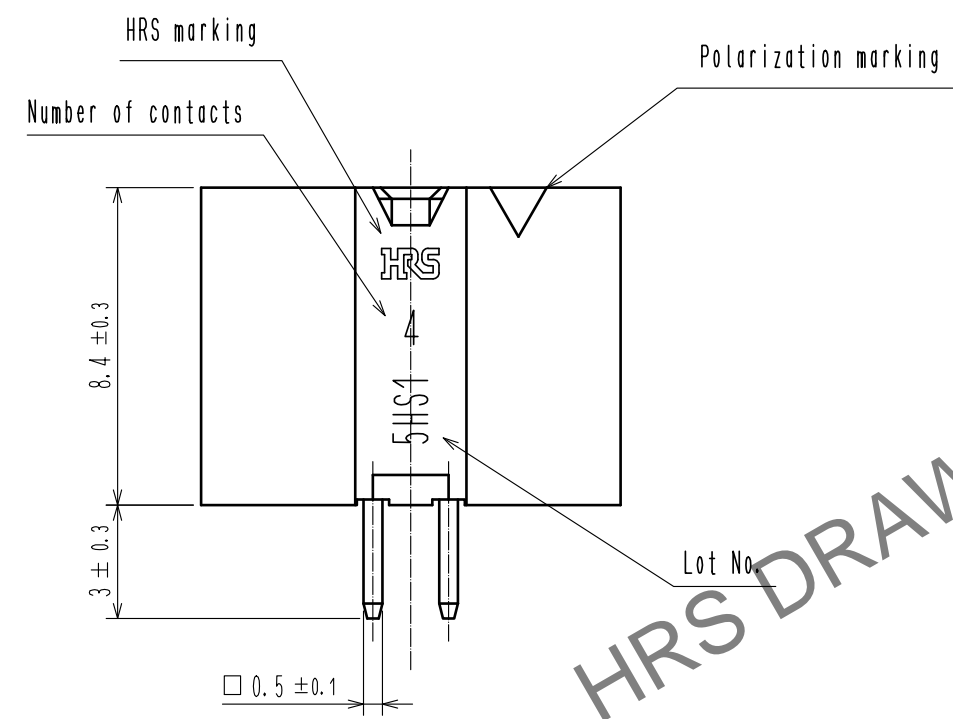
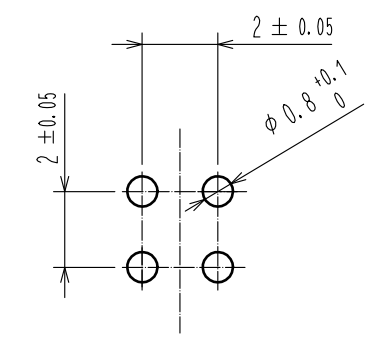


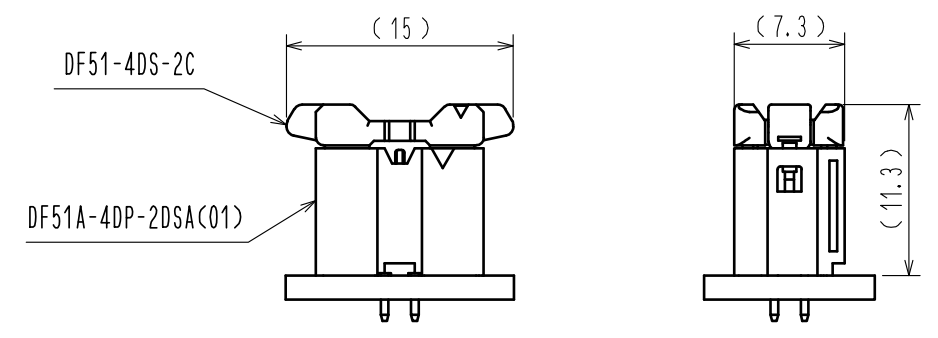
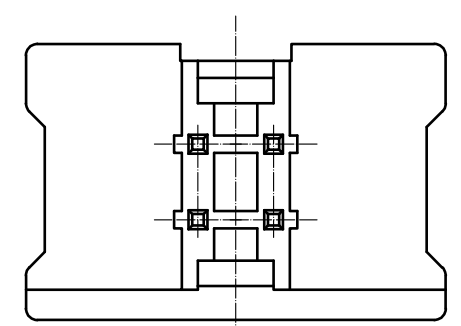
Aug.1.2024 Copyright 2024 HIROSE ELECTRIC CO., LTD. All Rights Reserved.
In case of consideration for using Automotive equipment / device which demand high reliability, kindly contact our sales window correspondents.



RECOMMENDED PATTERN(FREE)
(BOARD THICKNESS t=1.6mm)



MATING FIGURE (2:1)



- Note 1. Per pack : 100 Pieces.
2. The dimension parenthesis are for reference.
3. UL(File No.E52653),
C-UL(File No.E52653) authorization article.



1	PBT	UL94V-0, BLACK	2	BRASS	SURFACE:AU PLATING 0.1μm MIN UNDER PLATING:NICKEL PLATING 0.5μm MIN		
NO.	MATERIAL	FINISH, REMARKS	NO.	MATERIAL	FINISH, REMARKS		
UNITS mm		SCALE 5 : 1	COUNT 1	DESCRIPTION OF REVISIONS DIS-H-00004471	DESIGNED TS.MIYAKI	CHECKED SZ.ONO	DATE 20181204
HRS HIROSE ELECTRIC CO., LTD.		APPROVED : HS. OKAWA	20180320	DRAWING NO. EDC-363503-01-00			
		CHECKED : ST. WADA	20180320	PART NO. DF51A-4DP-2DSA(01)			
		DESIGNED : TH. SATO	20180320	CODE NO. CL543-5015-0-01			
		DRAWN : TH. SATO	20180320				