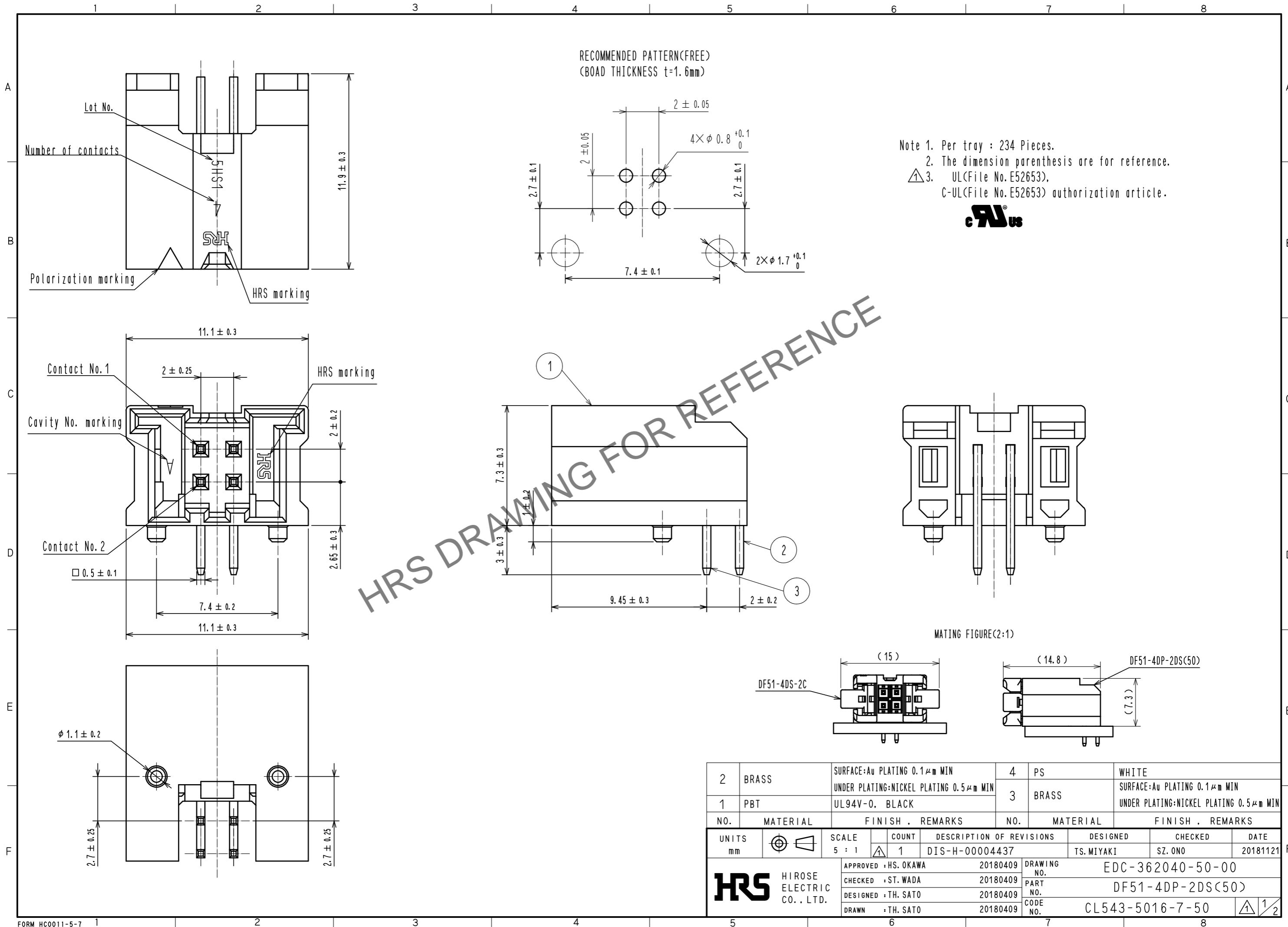
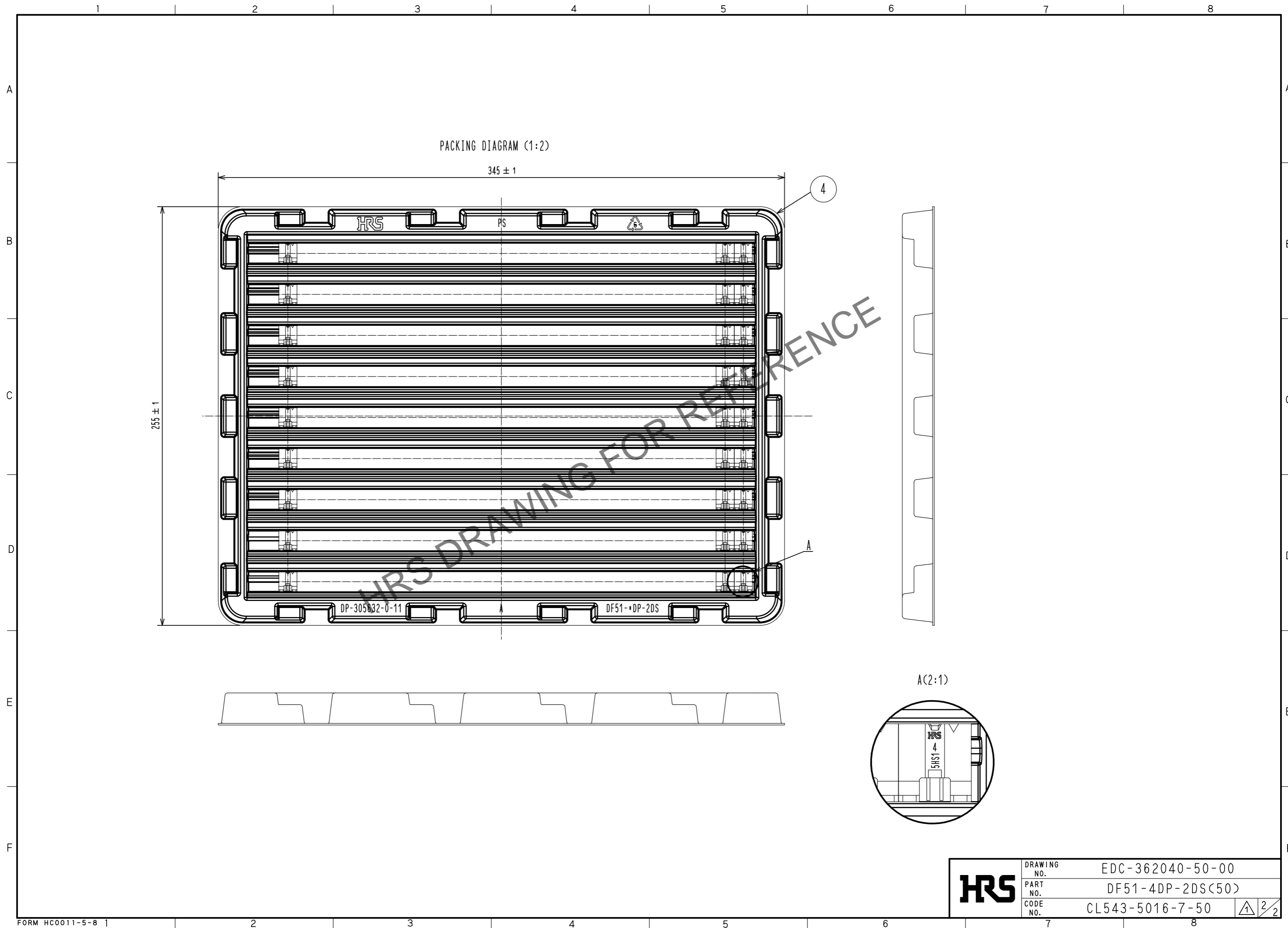


Oct.1.2024 Copyright 2024 HIROSE ELECTRIC CO., LTD. All Rights Reserved.
 In case of consideration for using Automotive equipment / device which demand high reliability, kindly contact our sales window correspondents.



2	BRASS	SURFACE:Au PLATING 0.1μm MIN UNDER PLATING:NICKEL PLATING 0.5μm MIN	4	PS	WHITE		
1	PBT	UL94V-0. BLACK	3	BRASS	SURFACE:Au PLATING 0.1μm MIN UNDER PLATING:NICKEL PLATING 0.5μm MIN		
NO.	MATERIAL	FINISH . REMARKS	NO.	MATERIAL	FINISH . REMARKS		
UNITS mm		SCALE 5 : 1	COUNT 1	DESCRIPTION OF REVISIONS DIS-H-00004437	DESIGNED TS.MIYAKI	CHECKED SZ.ONO	DATE 20181121
HRS HIROSE ELECTRIC CO., LTD.		APPROVED : HS. OKAWA	20180409	DRAWING NO. EDC-362040-50-00			
		CHECKED : ST. WADA	20180409	PART NO. DF51-4DP-2DS(50)			
		DESIGNED : TH. SATO	20180409	CODE NO. CL543-5016-7-50			
		DRAWN : TH. SATO	20180409	1/2			

Oct. 1.2024 Copyright 2024 HIROSE ELECTRIC CO., LTD. All Rights Reserved.
In case of consideration for using Automotive equipment / device which demand high reliability, kindly contact our sales window correspondents.



HRS	DRAWING NO.	EDC-362040-50-00
	PART NO.	DF51-4DP-2DS(50)
	CODE NO.	CL543-5016-7-50

2/2