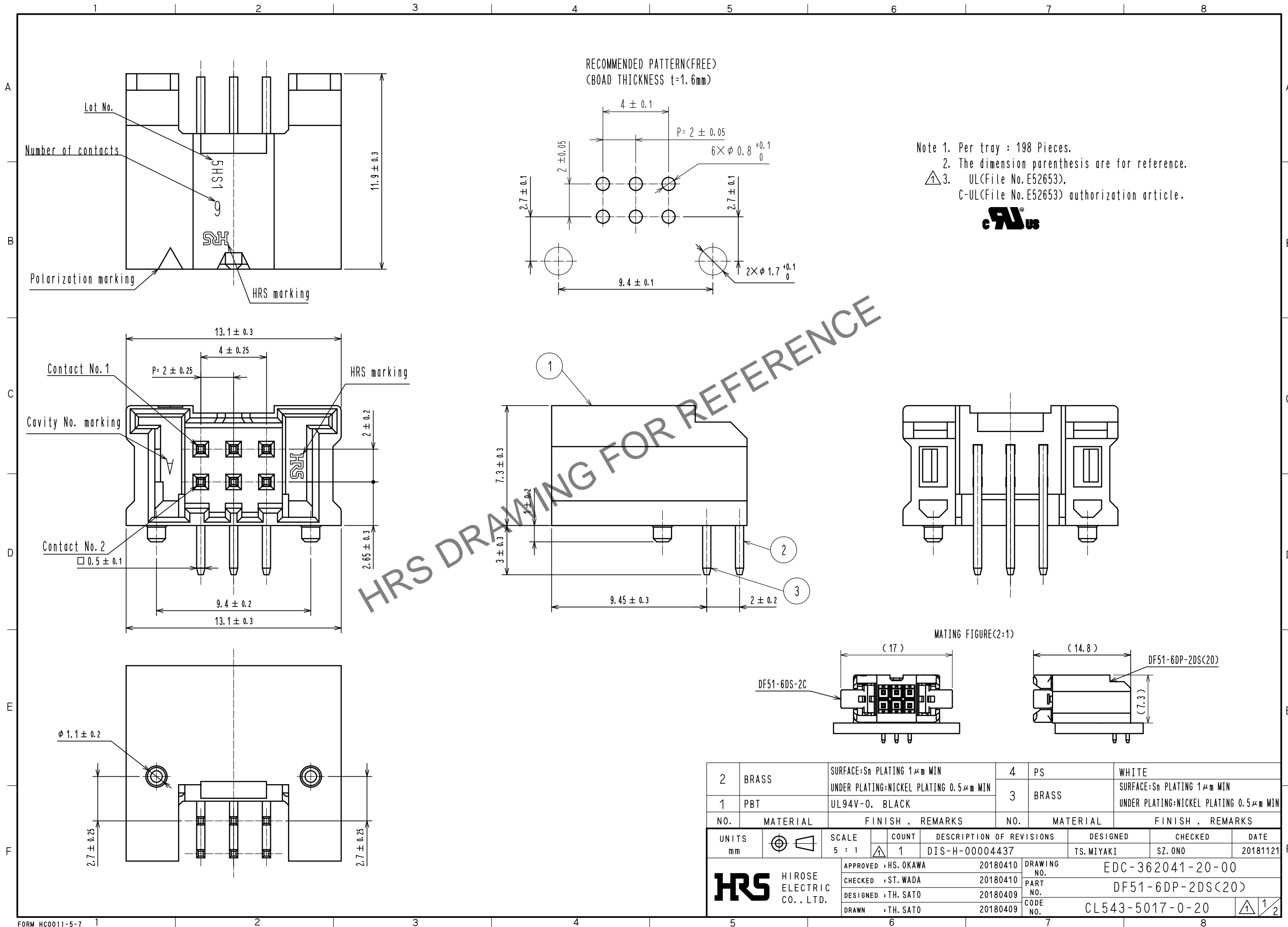
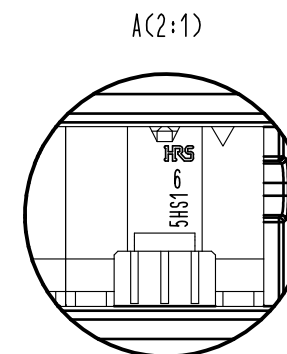
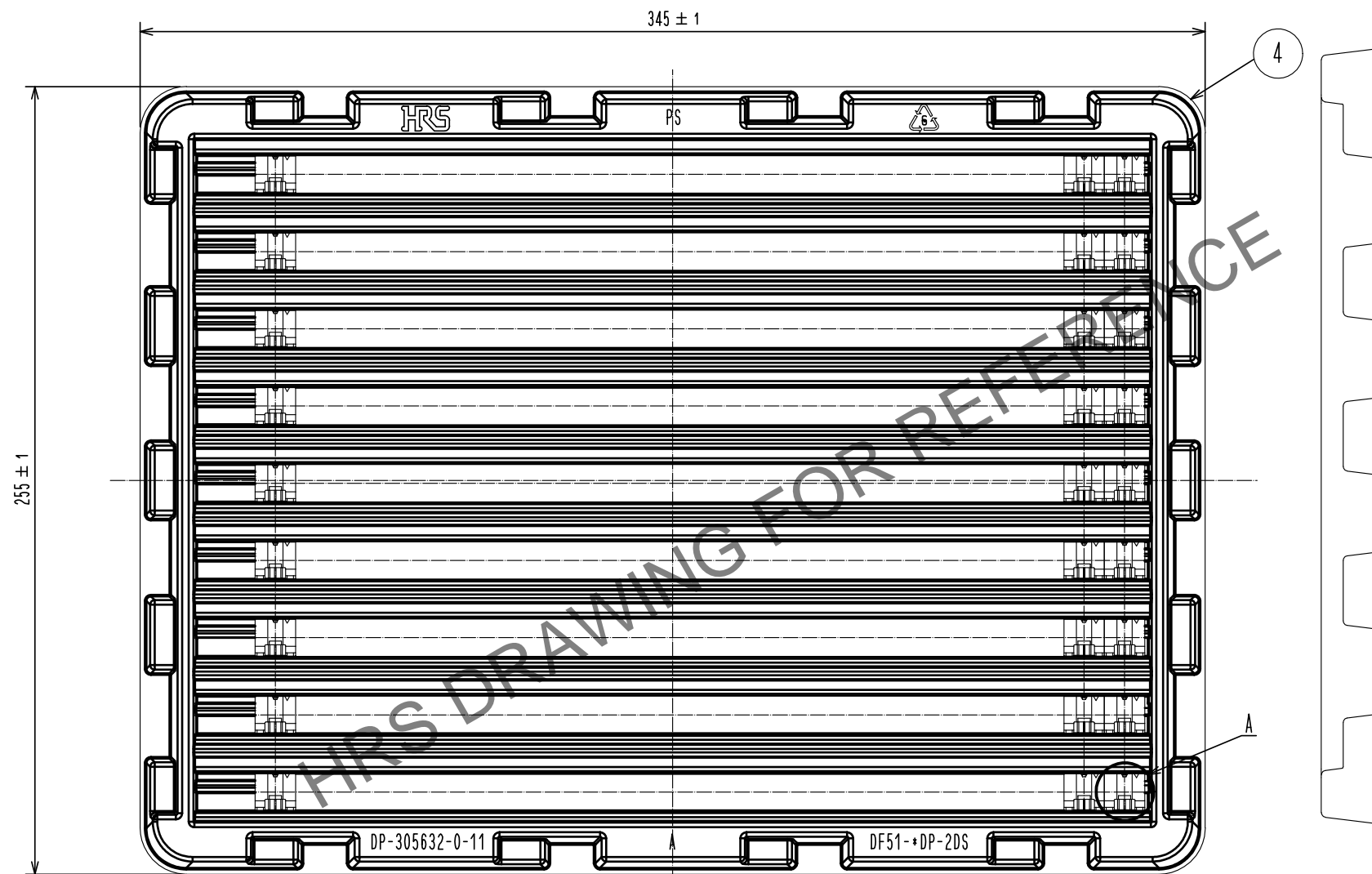


Oct.1.2024 Copyright 2024 HIROSE ELECTRIC CO., LTD. All Rights Reserved.
 In case of consideration for using Automotive equipment / device which demand high reliability, kindly contact our sales window correspondents.



Oct. 1.2024 Copyright 2024 HIROSE ELECTRIC CO., LTD. All Rights Reserved.
In case of consideration for using Automotive equipment / device which demand high reliability, kindly contact our sales window correspondents.

PACKING DIAGRAM (1:2)



HRS	DRAWING NO.	EDC-362041-20-00
	PART NO.	DF51-6DP-2DS(20)
	CODE NO.	CL543-5017-0-20

2/2