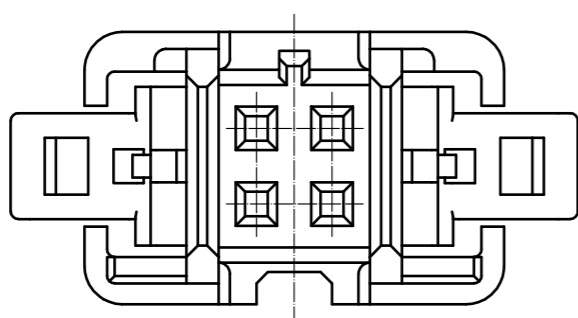
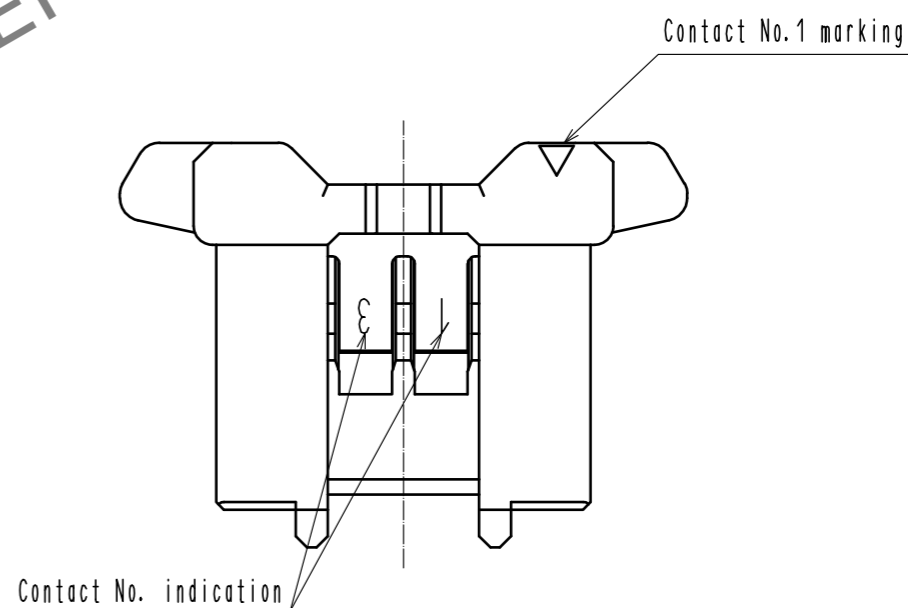
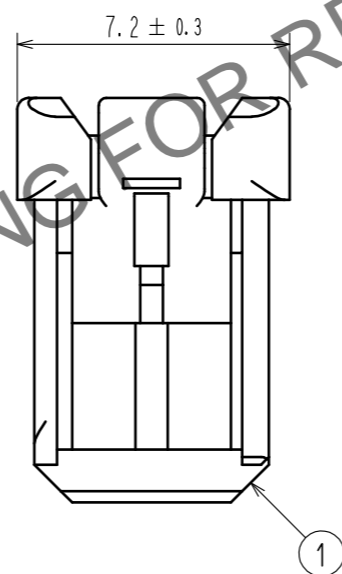
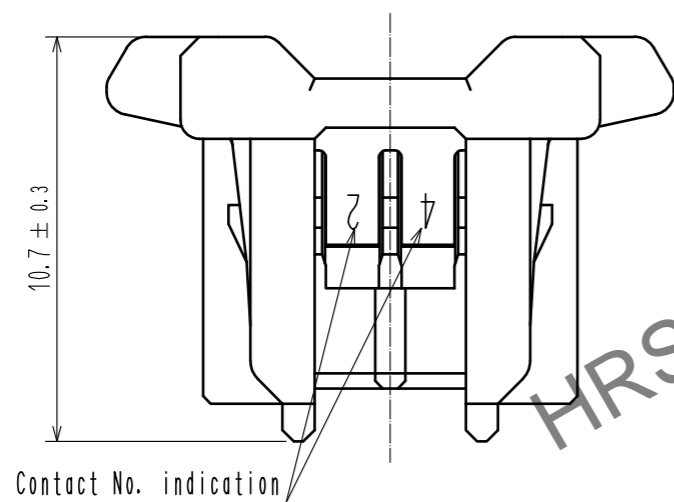
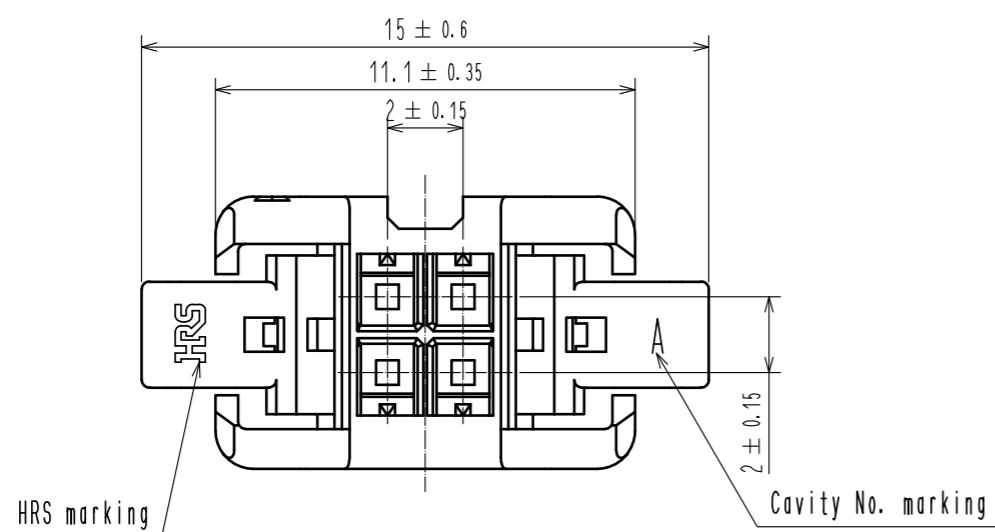


Sep.1.2024 Copyright 2024 HIROSE ELECTRIC CO., LTD. All Rights Reserved.
 In case of consideration for using Automotive equipment / device which demand high reliability, kindly contact our sales window correspondents.



Note 1. Per pack : 100 pieces.
 △ 2. UL(File No. E52653),
 C-UL(File No. E52653) authorization article.



NO.		MATERIAL		FINISH . REMARKS		1	PBT	UL94V-0. BLACK		
UNITS mm		SCALE 5 : 1		COUNT △ 1		DESCRIPTION OF REVISIONS DIS-H-00004451		DESIGNED TS.MIYAKI	CHECKED SZ.ONO	DATE 20181126
HIROSE ELECTRIC CO., LTD.		APPROVED : HS. OKAWA		20160707		DRAWING NO. EDC-362054-00-00				
		CHECKED : YN. TAKASHITA		20160707		PART NO. DF51-4DS-2C				
		DESIGNED : TT. OHSAKO		20160707		CODE NO. CL543-5030-8-00				
		DRAWN : TT. OHSAKO		20160707						△ 1/1