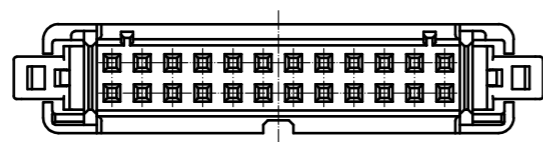
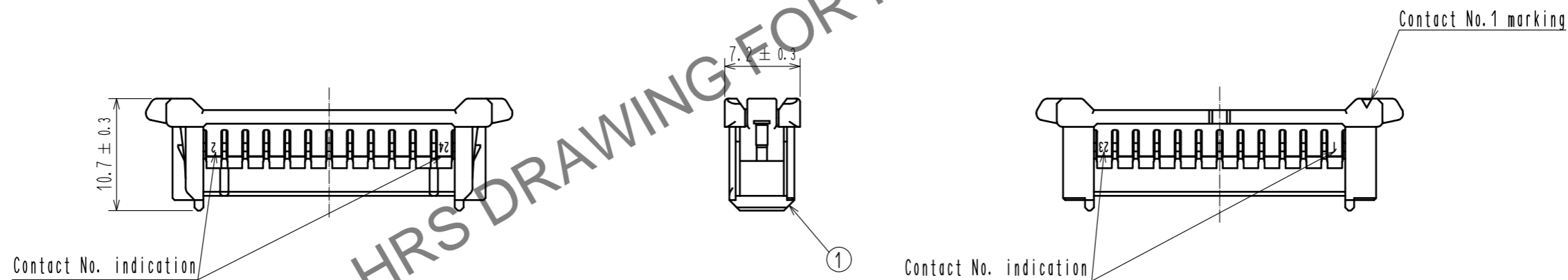
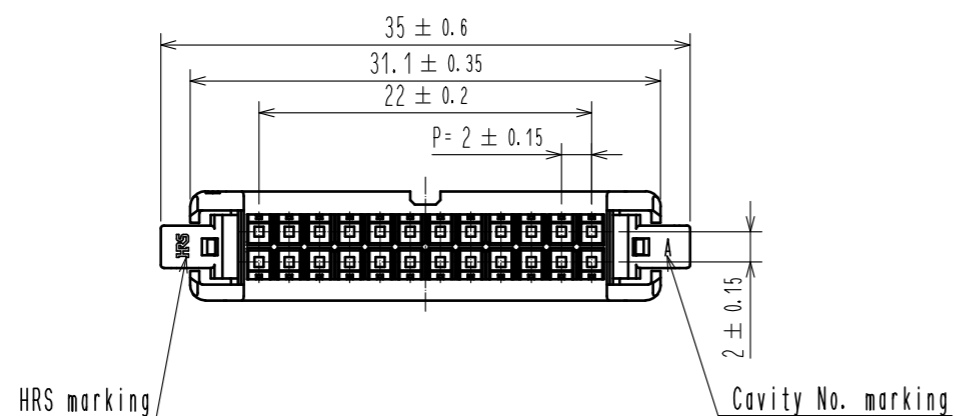


Jul.1.2024 Copyright 2024 HIROSE ELECTRIC CO., LTD. All Rights Reserved.  
 In case of consideration for using Automotive equipment / device which demand high reliability, kindly contact our sales window correspondents.



Note 1. Per pack : 100 pieces.  
 ① 2. UL(File No.E52653),  
 C-UL(File No.E52653) authorization article.



NO.		MATERIAL		FINISH . REMARKS		1	PBT	UL94V-0. BLACK
UNITS mm		SCALE 2 : 1	COUNT 1	DESCRIPTION OF REVISIONS DIS-H-00004451		DESIGNED TS.MIYAKI	CHECKED SZ.ONO	DATE 20181126
<b>HRS</b> HIROSE ELECTRIC CO., LTD.		APPROVED : HS. OKAWA	20160707	DRAWING NO.		EDC-362064-00-00		
		CHECKED : YN. TAKASHITA	20160707	PART NO.		DF51-24DS-2C		
		DESIGNED : TT. OHSAKO	20160707	CODE NO.		CL543-5040-1-00		
		DRAWN : TT. OHSAKO	20160707	NO.		① 1/1		