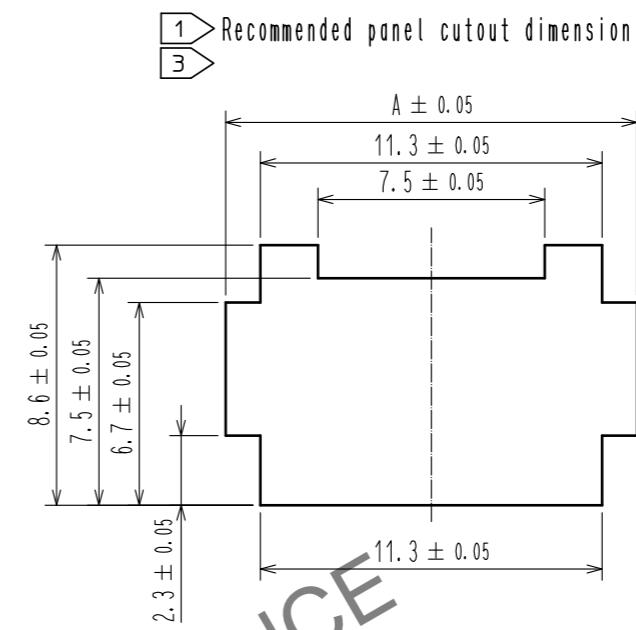
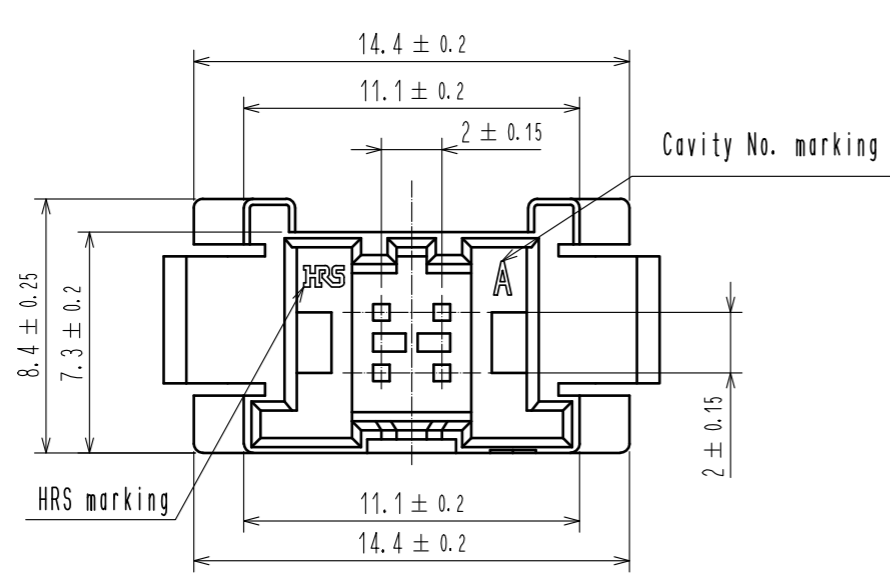
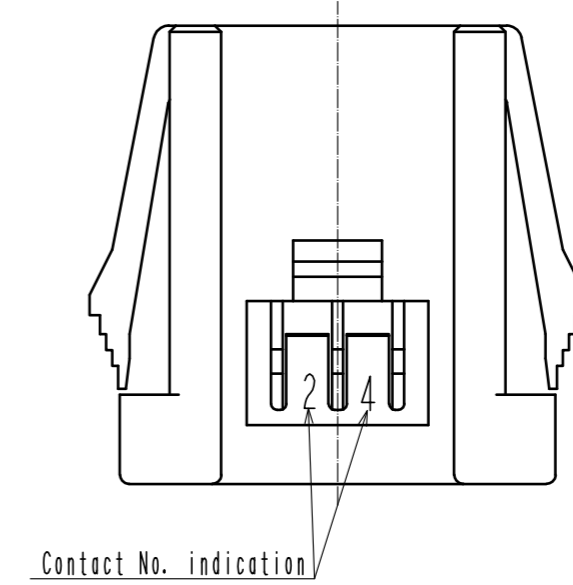
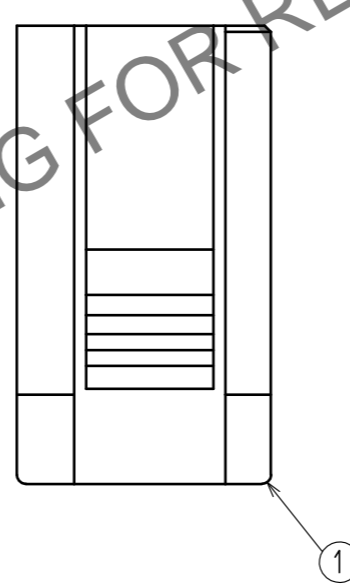
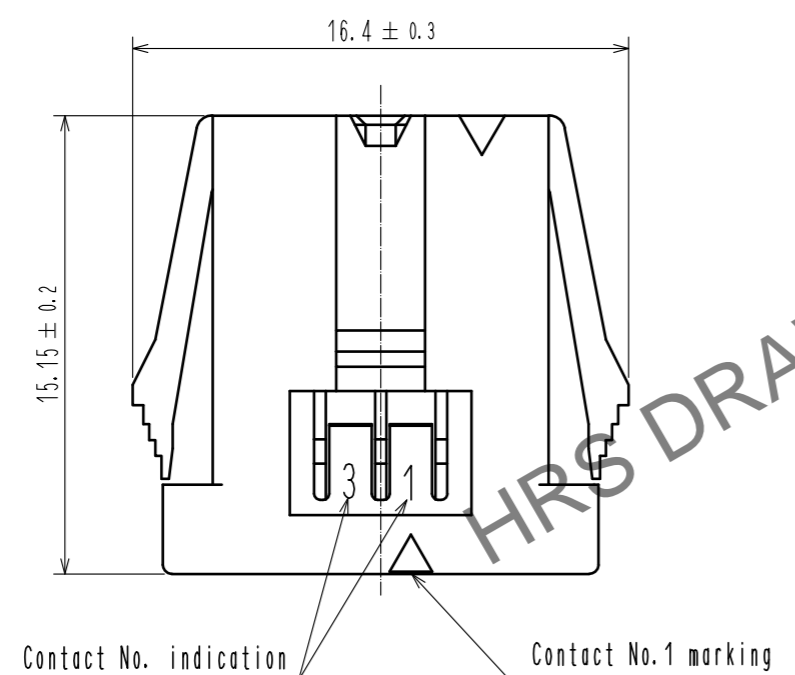


Oct.1.2024 Copyright 2024 HIROSE ELECTRIC CO., LTD. All Rights Reserved.
 In case of consideration for using Automotive equipment / device which demand high reliability, kindly contact our sales window correspondents.



Panel thickness	A
0.5~0.8	13.6
0.9~1.3	14.1
1.4~1.8	14.5
1.9~2.3	14.9



- Note
- ① Please use non-radius side for the panel hooking area.
 - ② Applicable panel thicknessing is 2.3 to 0.5 mm.
 - ③ Consult hirose for the other panel cutout designs than recommended one.
 - 4. Per pack : 100 pieces.
 - ④ 5. UL(File No. E52653),
 C-UL(File No. E52653) authorization article.



NO.	MATERIAL	FINISH . REMARKS	NO.	MATERIAL	FINISH . REMARKS		
			1	PBT	UL94V-0. BLACK		
UNITS	mm	SCALE	COUNT	DESCRIPTION OF REVISIONS	DESIGNED	CHECKED	DATE
		4 : 1	1	DIS-H-00004537	TS.MIYAKI	HS.OKAWA	20181221
APPROVED : HS. OKAWA		20160601		DRAWING NO. EDC-366282-00-00			
CHECKED : YN. TAKASHITA		20160601		PART NO. DF51-4DEP-2C			
DESIGNED : TT. OHSAKO		20160601		CODE NO. CL543-5071-0-00			
DRAWN : TT. OHSAKO		20160601					