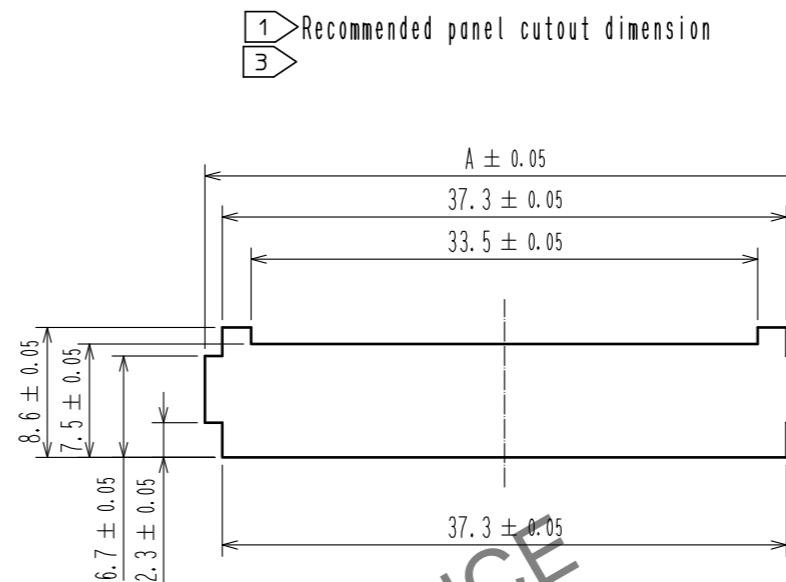
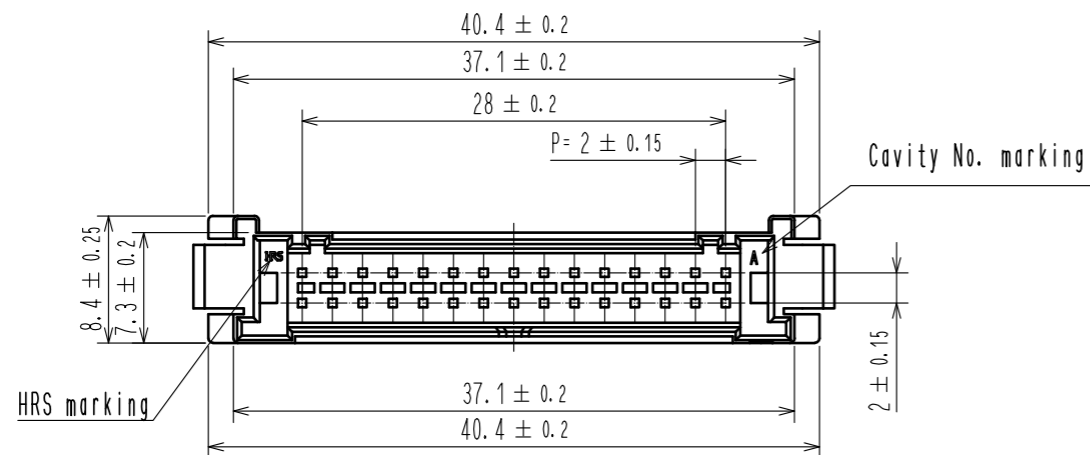
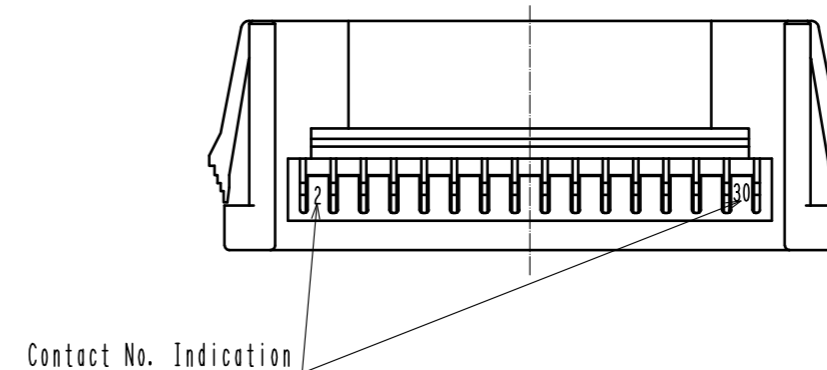
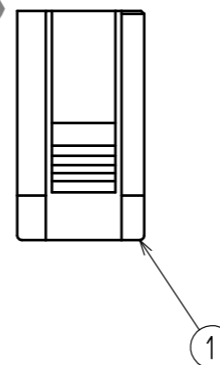
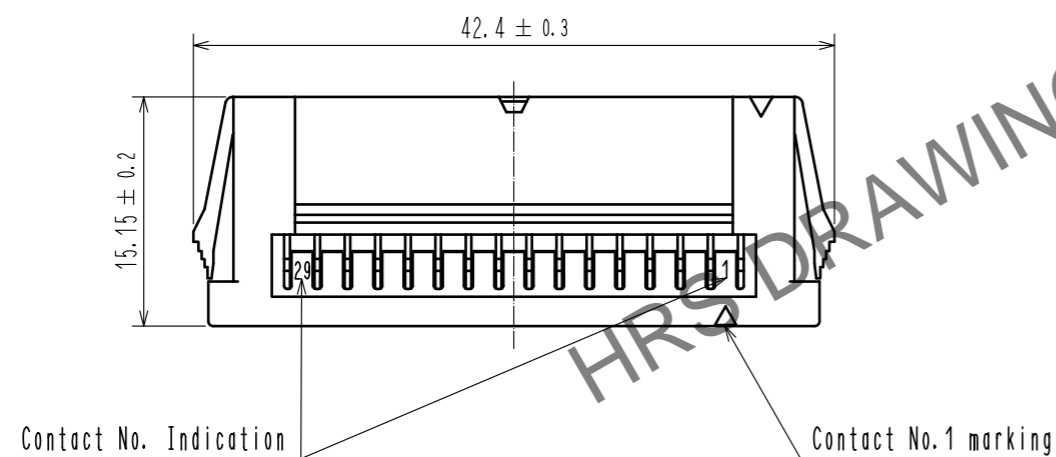


Oct.1.2024 Copyright 2024 HIROSE ELECTRIC CO., LTD. All Rights Reserved.  
In case of consideration for using Automotive equipment / device which demand high reliability, kindly contact our sales window correspondents.



2

Panel thickness	A
0.5~0.8	39.6
0.9~1.3	40.1
1.4~1.8	40.5
1.9~2.3	40.9



- Note
- 1 Please use non-radius side for the panel hooking area.
  - 2 Applicable panel thicknessing is 2.3 to 0.5 mm.
  - 3 Consult hirose for the other panel cutout designs than recommended one.
  - 4. Per pack : 100 pieces.
  - 5. UL(File No.E52653).  
C-UL(File No.E52653) authorization article



NO.	MATERIAL	FINISH . REMARKS	NO.	MATERIAL	FINISH . REMARKS
			1	PBT	UL94V-0. BLACK
UNITS mm		SCALE 2 : 1	COUNT 1	DESCRIPTION OF REVISIONS DIS-H-00004547	DESIGNED TS.MIYAKI
APPROVED : HS. OKAWA 20160601			DRAWING NO. EDC-366295-00-00		
CHECKED : YN. TAKASHITA 20160601			PART NO. DF51-30DEP-2C		
DESIGNED : TT. OHSAKO 20160601			CODE NO. CL543-5084-0-00		
DRAWN : TT. OHSAKO 20160601					