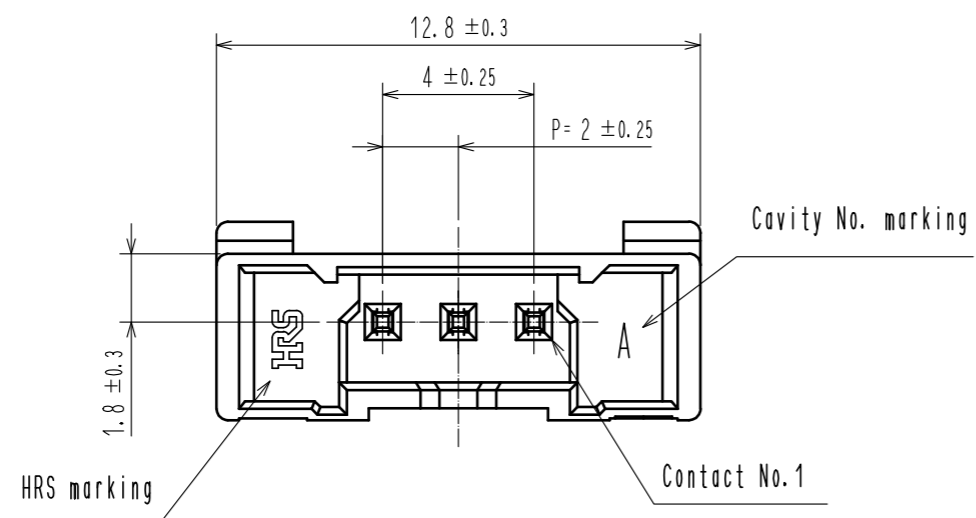
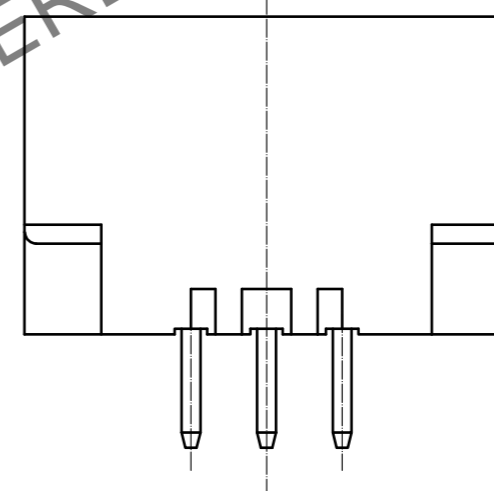
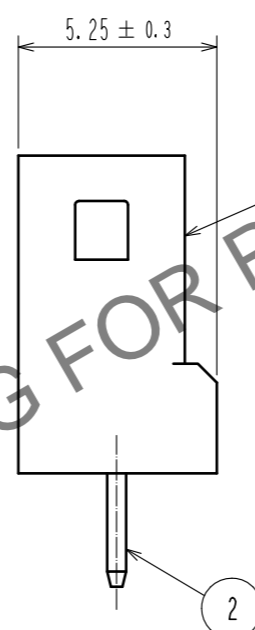
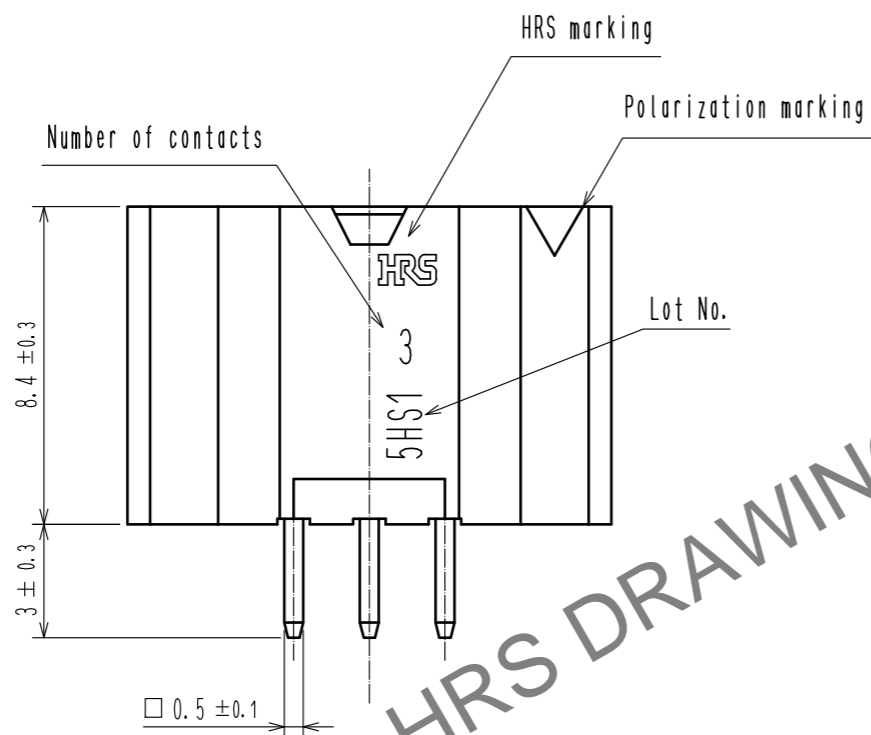
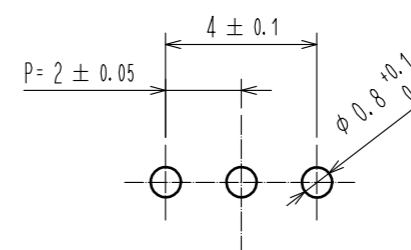


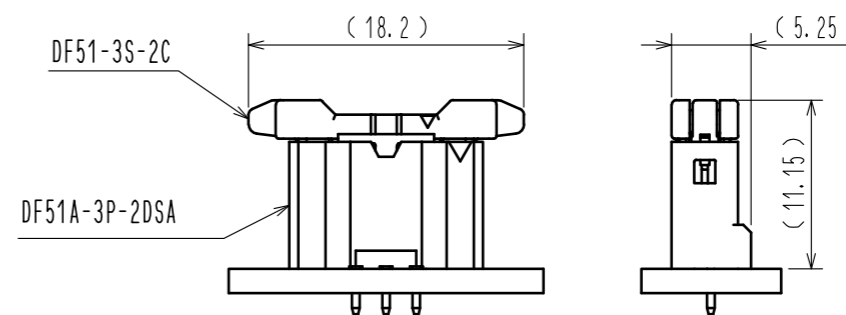
Sep.1.2024 Copyright 2024 HIROSE ELECTRIC CO., LTD. All Rights Reserved.
In case of consideration for using Automotive equipment / device which demand high reliability, kindly contact our sales window correspondents.



RECOMMENDED PATTERN(FREE)
(BOARD THICKNESS t=1.6mm)



MATING FIGURE (2:1)



Note 1. Per pack : 100 Pieces.
2. The dimension parenthesis are for reference.
3. UL(File No.E52653).
C-UL(File No.E52653) authorization article.



1	PBT	UL94V-0, BLACK	2	BRASS	SURFACE:Sn PLATING 1μm MIN UNDER PLATING:NICKEL PLATING 0.5μm MIN		
NO.	MATERIAL	FINISH, REMARKS	NO.	MATERIAL	FINISH, REMARKS		
UNITS mm		SCALE 5 : 1	COUNT 1	DESCRIPTION OF REVISIONS DIS-H-00004512	DESIGNED TS.MIYAKI	CHECKED SZ.ONO	DATE 20181214
HRS HIROSE ELECTRIC CO., LTD.		APPROVED : HS. OKAWA	20171004	DRAWING NO. EDC-363915-00-00			
		CHECKED : ST. WADA	20171004	PART NO. DF51A-3P-2DSA			
		DESIGNED : TH. SATO	20171004	CODE NO. CL543-5106-0-00			
		DRAWN : TH. SATO	20171004	1/1			