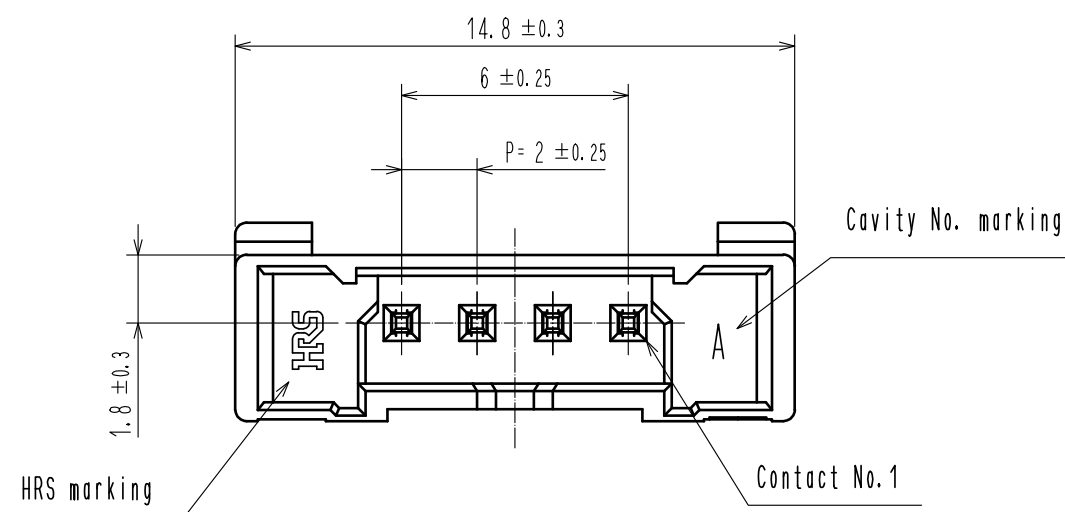
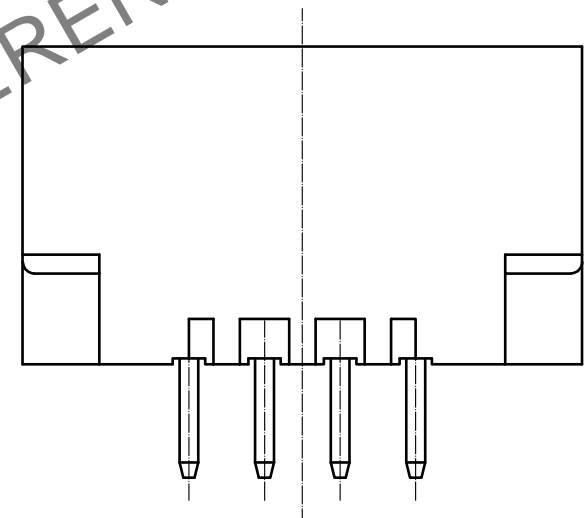
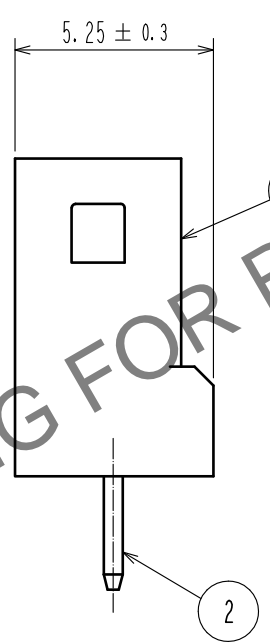
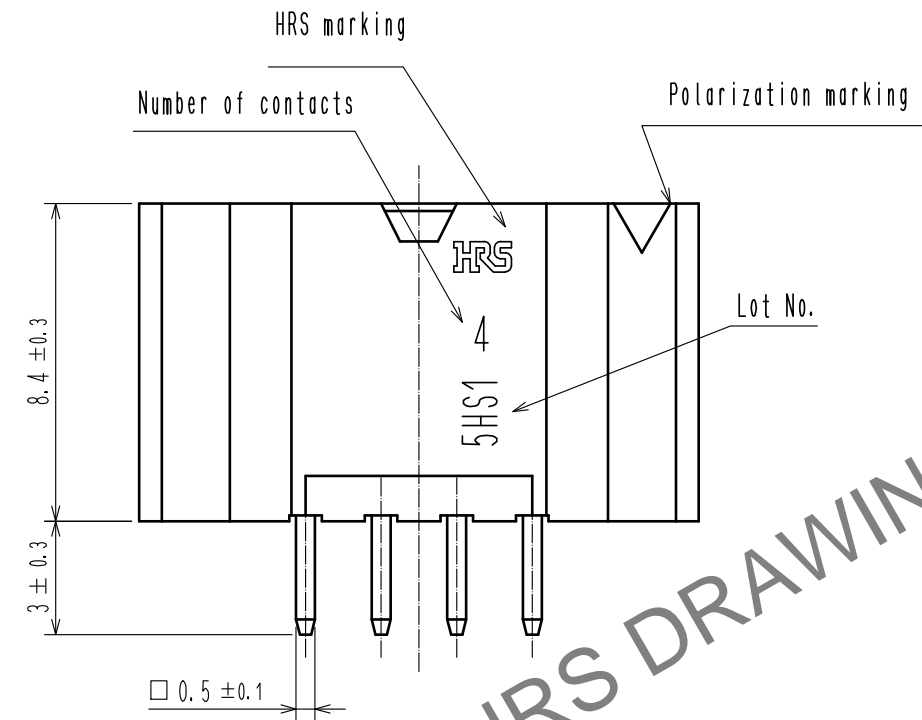
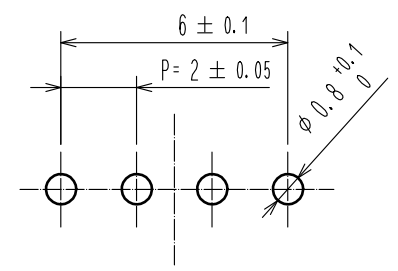


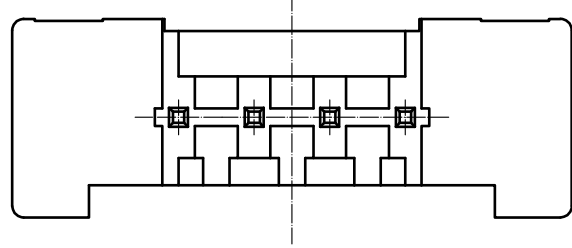
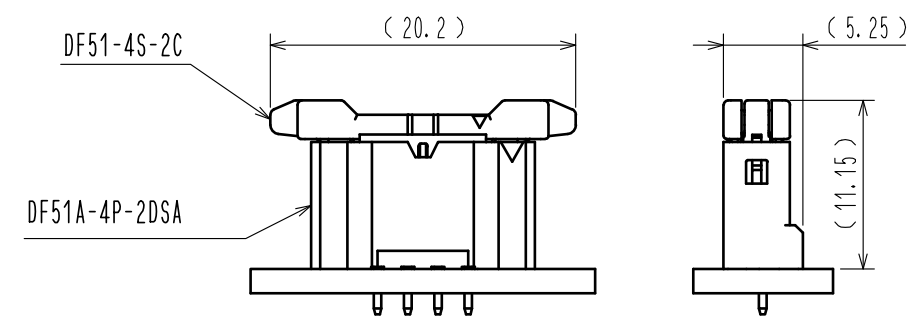
Sep.1.2024 Copyright 2024 HIROSE ELECTRIC CO., LTD. All Rights Reserved.
In case of consideration for using Automotive equipment / device which demand high reliability, kindly contact our sales window correspondents.



RECOMMENDED PATTERN(FREE)
(BOARD THICKNESS t=1.6mm)



MATING FIGURE (2:1)



- Note 1. Per pack : 100 Pieces.
- 2. The dimension parenthesis are for reference.
- 3. UL(File No. E52653).
- C-UL(File No. E52653) authorization article.



1	PBT	UL94V-0, BLACK	2	BRASS	SURFACE:Sn PLATING 1μm MIN UNDER PLATING:NICKEL PLATING 0.5μm MIN		
NO.	MATERIAL	FINISH, REMARKS	NO.	MATERIAL	FINISH, REMARKS		
UNITS mm		SCALE 5 : 1	COUNT 1	DESCRIPTION OF REVISIONS DIS-H-00004512	DESIGNED TS.MIYAKI	CHECKED SZ.ONO	DATE 20181214
HRS HIROSE ELECTRIC CO., LTD.		APPROVED : HS. OKAWA	20171004	DRAWING NO. EDC-363916-00-00		PART NO. DF51A-4P-2DSA	
		CHECKED : ST. WADA	20171004	CODE NO. CL543-5107-0-00			
		DESIGNED : TH. SATO	20171004				
		DRAWN : TH. SATO	20171004				