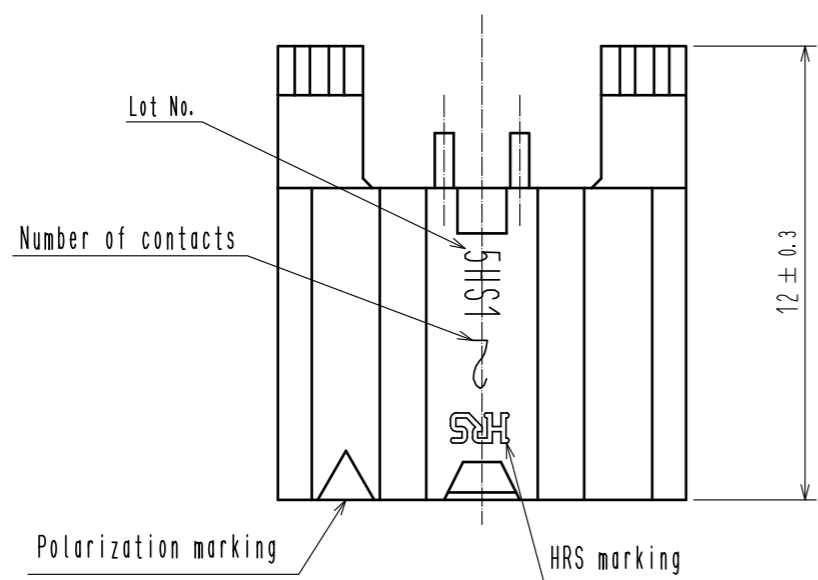
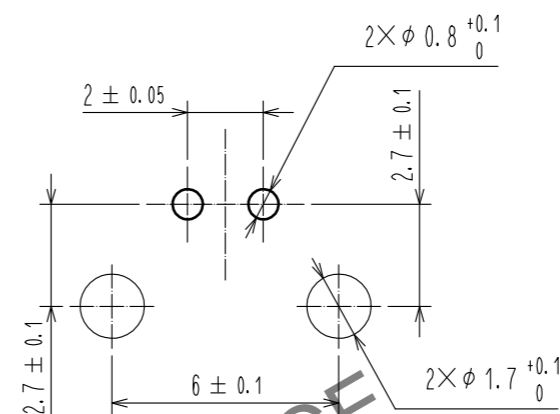


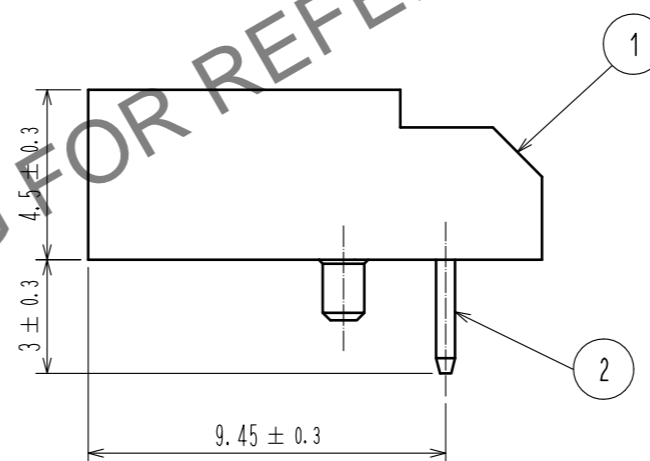
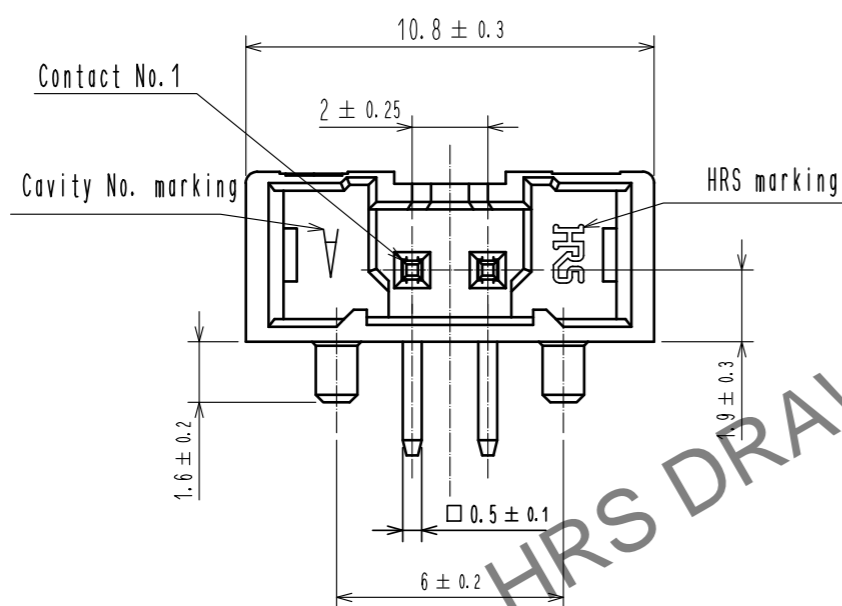
Oct.1.2024 Copyright 2024 HIROSE ELECTRIC CO., LTD. All Rights Reserved.
 In case of consideration for using Automotive equipment / device which demand high reliability, kindly contact our sales window correspondents.



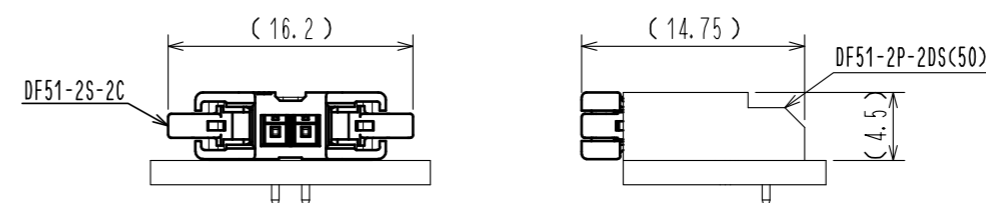
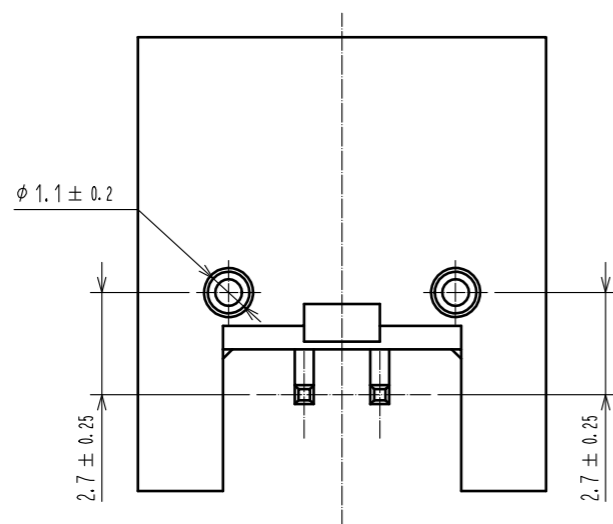
RECOMMENDED PATTERN(FREE)
 (BOARD THICKNESS t=1.6mm)



- Note 1. Per tray : 243 Pieces.
 2. The dimension parenthesis are for reference.
 3. UL(File No. E52653),
 C-UL(File No. E52653) authorization article.

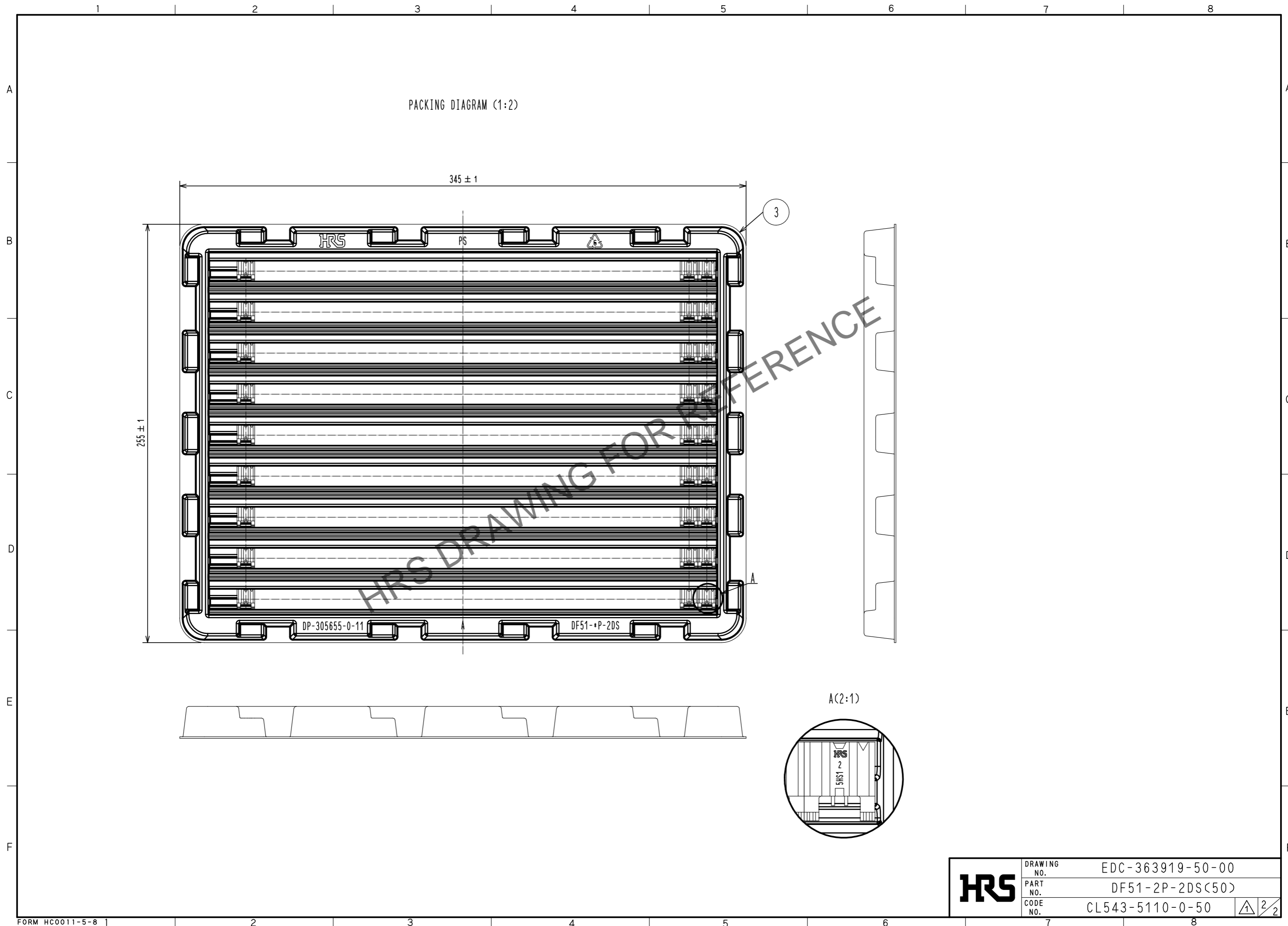


MATING FIGURE(2:1)



1	PBT	UL94V-0, BLACK	3	PS	WHITE
			2	BRASS	SURFACE: Au PLATING 0.1 μm MIN UNDER PLATING: NICKEL PLATING 0.5 μm MIN
NO.	MATERIAL	FINISH, REMARKS	NO.	MATERIAL	FINISH, REMARKS
UNITS		SCALE	COUNT	DESCRIPTION OF REVISIONS	
mm		5 : 1	1	DIS-H-00004517	
APPROVED : HS. OKAWA 20180405			DESIGNED : TS. MIYAKI		
CHECKED : ST. WADA 20180405			CHECKED : HS. OKAWA		
DESIGNED : TH. SATO 20180405			DATE : 20181217		
DRAWN : TH. SATO 20180405			DRAWING NO. : EDC-363919-50-00		
HRS HIROSE ELECTRIC CO., LTD.			PART NO. : DF51-2P-2DS(50)		
			CODE NO. : CL543-5110-0-50		
			1/2		

Oct.1.2024 Copyright 2024 HIROSE ELECTRIC CO., LTD. All Rights Reserved.
In case of consideration for using Automotive equipment / device which demand high reliability, kindly contact our sales window correspondents.



HRS	DRAWING NO.	EDC-363919-50-00
	PART NO.	DF51-2P-2DS(50)
	CODE NO.	CL543-5110-0-50
		2/2