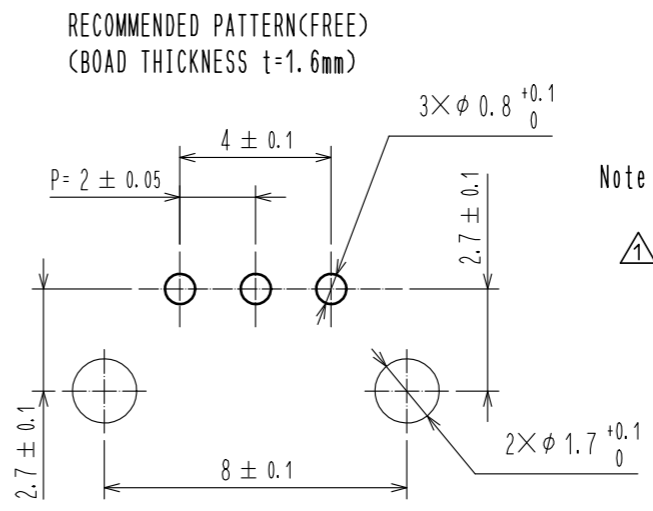
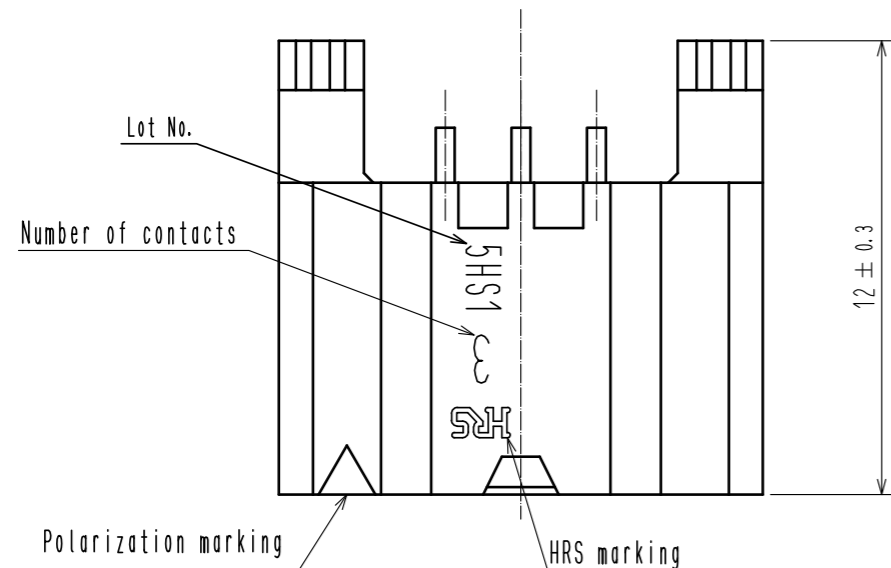
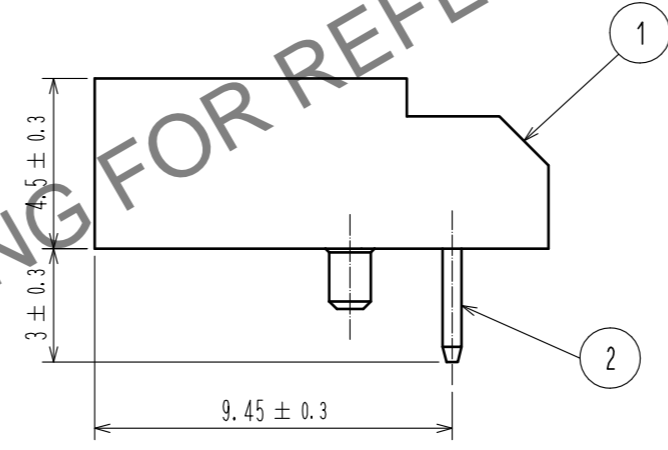
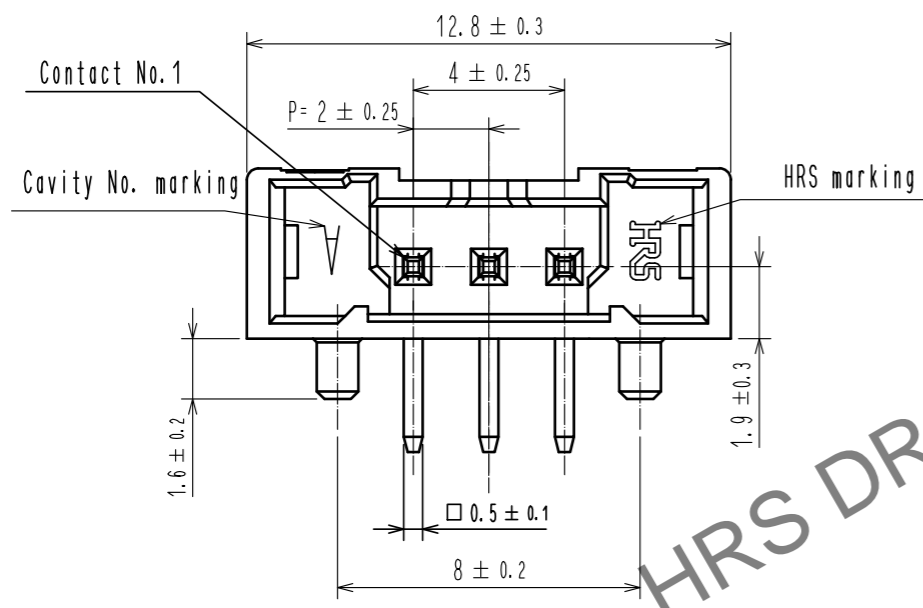


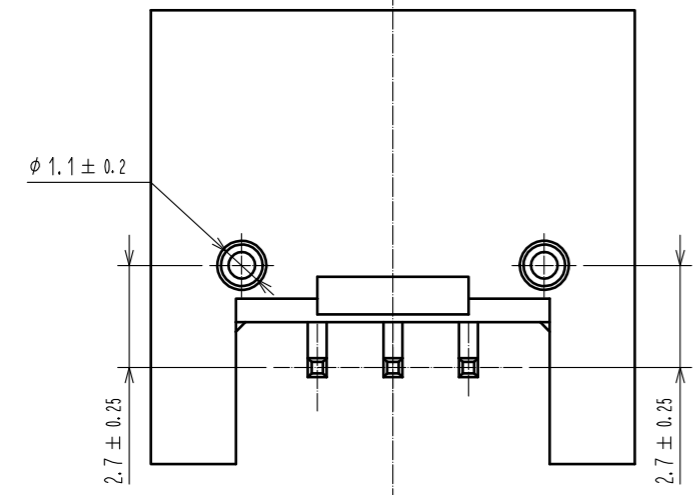
Oct.1.2024 Copyright 2024 HIROSE ELECTRIC CO., LTD. All Rights Reserved.
 In case of consideration for using Automotive equipment / device which demand high reliability, kindly contact our sales window correspondents.



- Note 1. Per tray : 207 Pieces.
 2. The dimension parenthesis are for reference.
 3. UL(File No. E52653).
 C-UL(File No. E52653) authorization article.

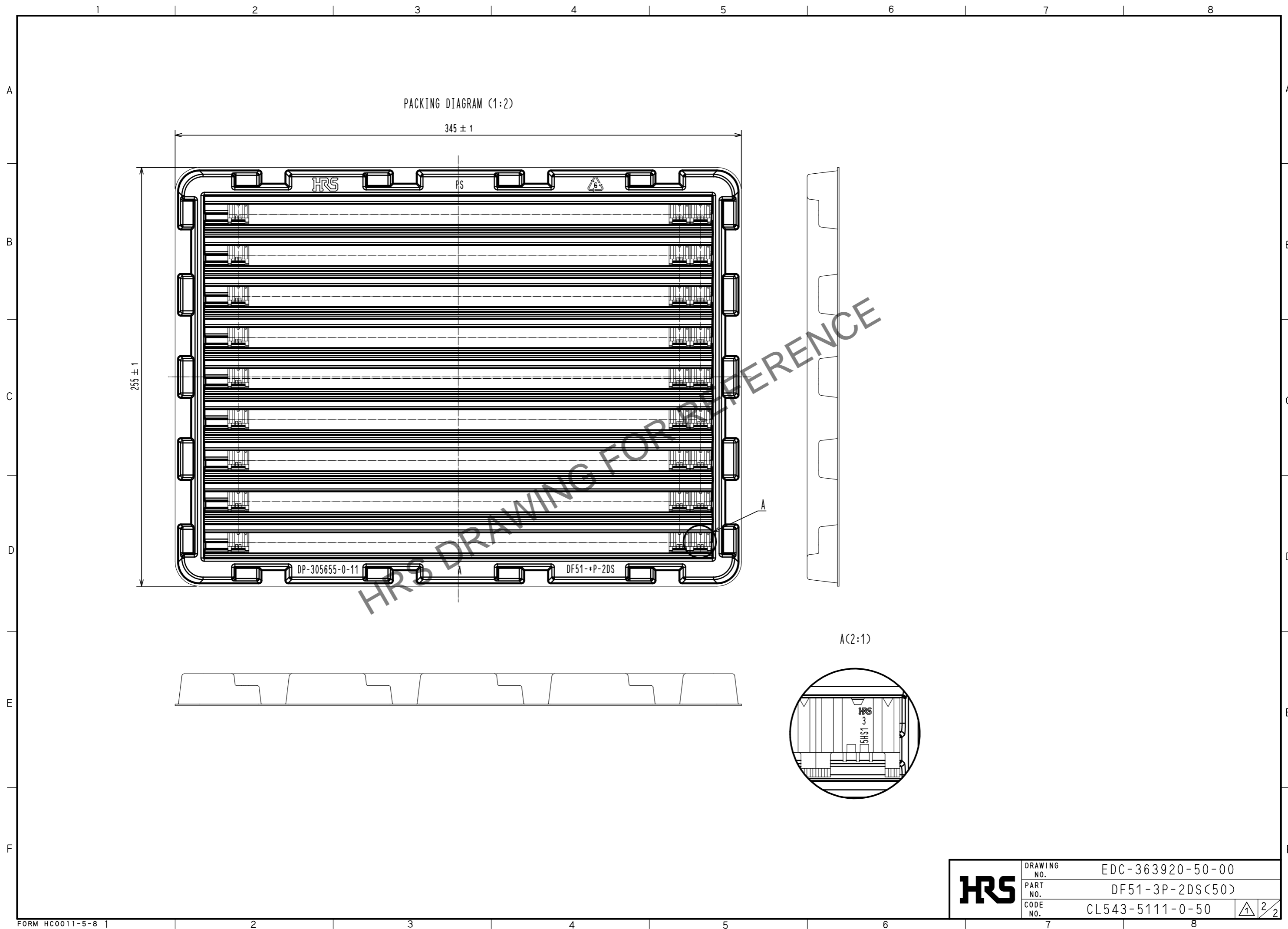


MATING FIGURE(2:1)



1	PBT	UL94V-0, BLACK	3	PS	WHITE		
			2	BRASS	SURFACE:Au PLATING 0.1μm MIN UNDER PLATING:NICKEL PLATING 0.5μm MIN		
NO.	MATERIAL	FINISH . REMARKS	NO.	MATERIAL	FINISH . REMARKS		
UNITS mm		SCALE 5 : 1	COUNT 1	DESCRIPTION OF REVISIONS DIS-H-00004517	DESIGNED TS.MIYAKI	CHECKED HS.OKAWA	DATE 20181217
HRS HIROSE ELECTRIC CO., LTD.		APPROVED : HS. OKAWA	20180405	DRAWING NO. EDC-363920-50-00			
		CHECKED : ST. WADA	20180405	PART NO. DF51-3P-2DS(50)			
		DESIGNED : TH. SATO	20180405	CODE NO. CL543-5111-0-50			
		DRAWN : TH. SATO	20180405	1/2			

Oct. 1.2024 Copyright 2024 HIROSE ELECTRIC CO., LTD. All Rights Reserved.
In case of consideration for using Automotive equipment / device which demand high reliability, kindly contact our sales window correspondents.



HRS	DRAWING NO.	EDC-363920-50-00
	PART NO.	DF51-3P-2DS(50)
	CODE NO.	CL543-5111-0-50