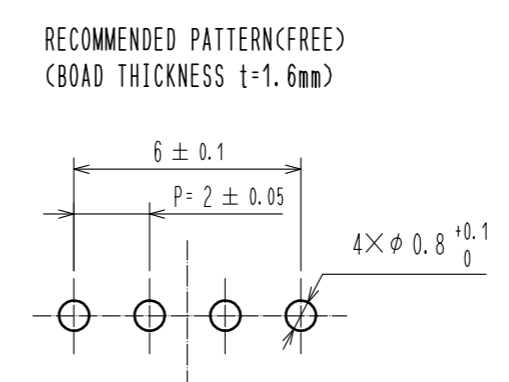
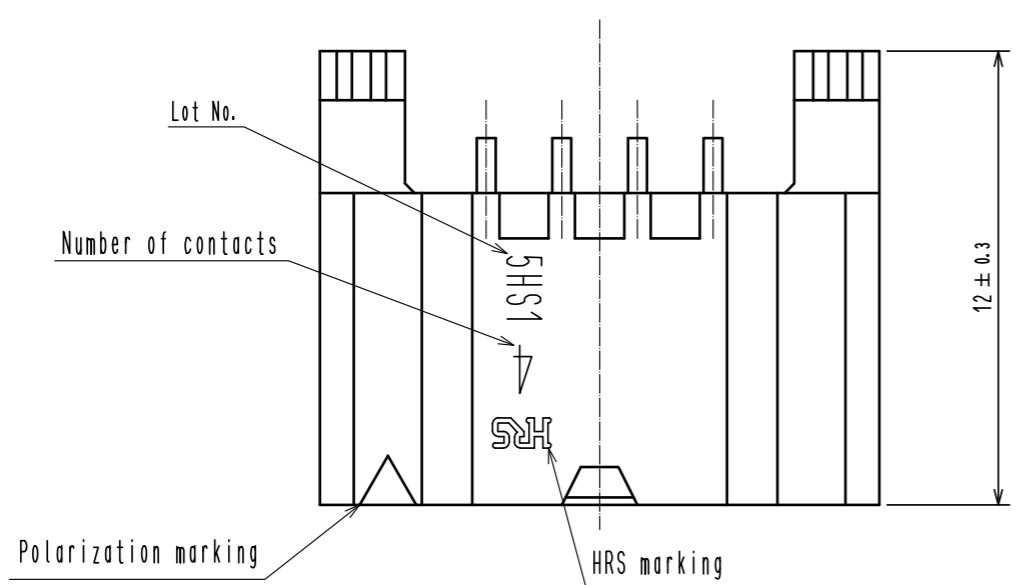
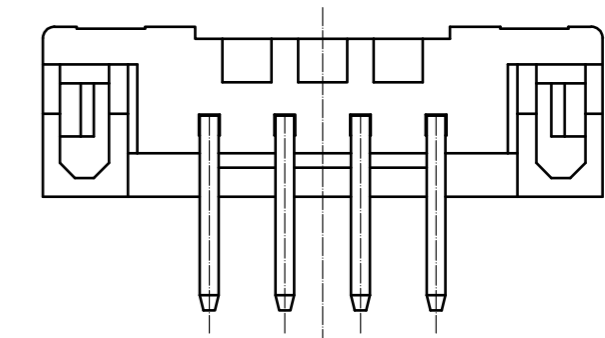
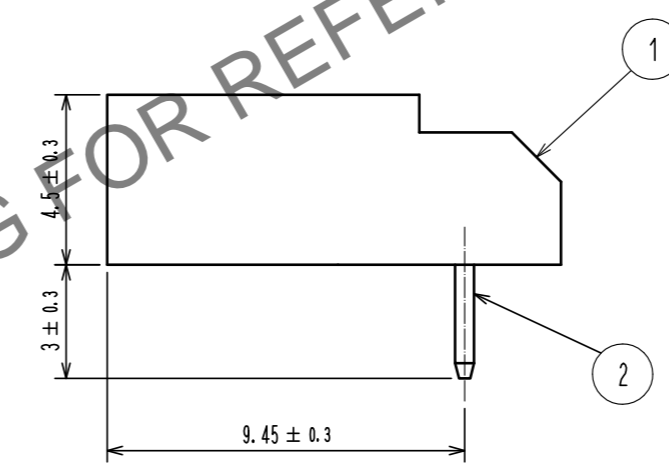
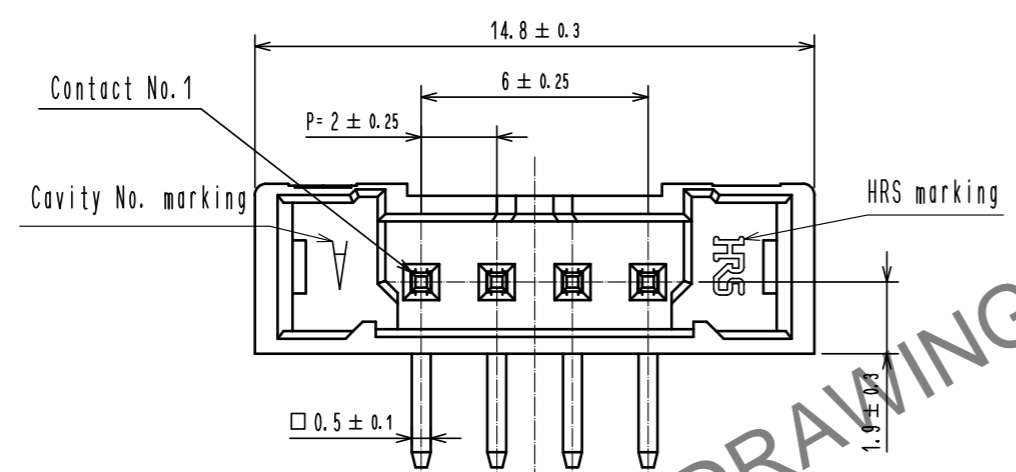


Sep.1.2024 Copyright 2024 HIROSE ELECTRIC CO., LTD. All Rights Reserved.
In case of consideration for using Automotive equipment / device which demand high reliability, kindly contact our sales window correspondents.

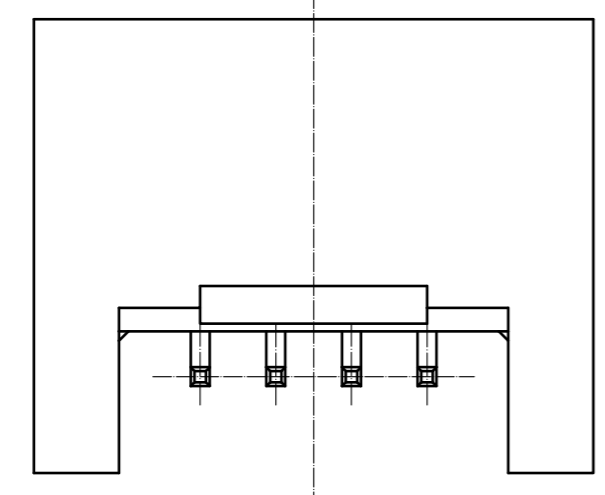
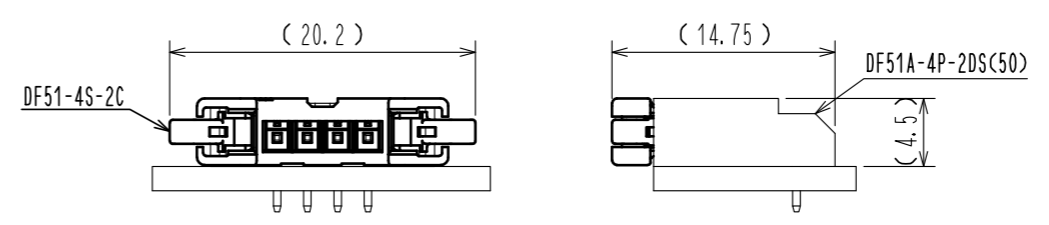


Note 1. Per tray : 171 Pieces.
2. The dimension parenthesis are for reference.
3. UL(File No. E52653).
C-UL(File No. E52653) authorization article.



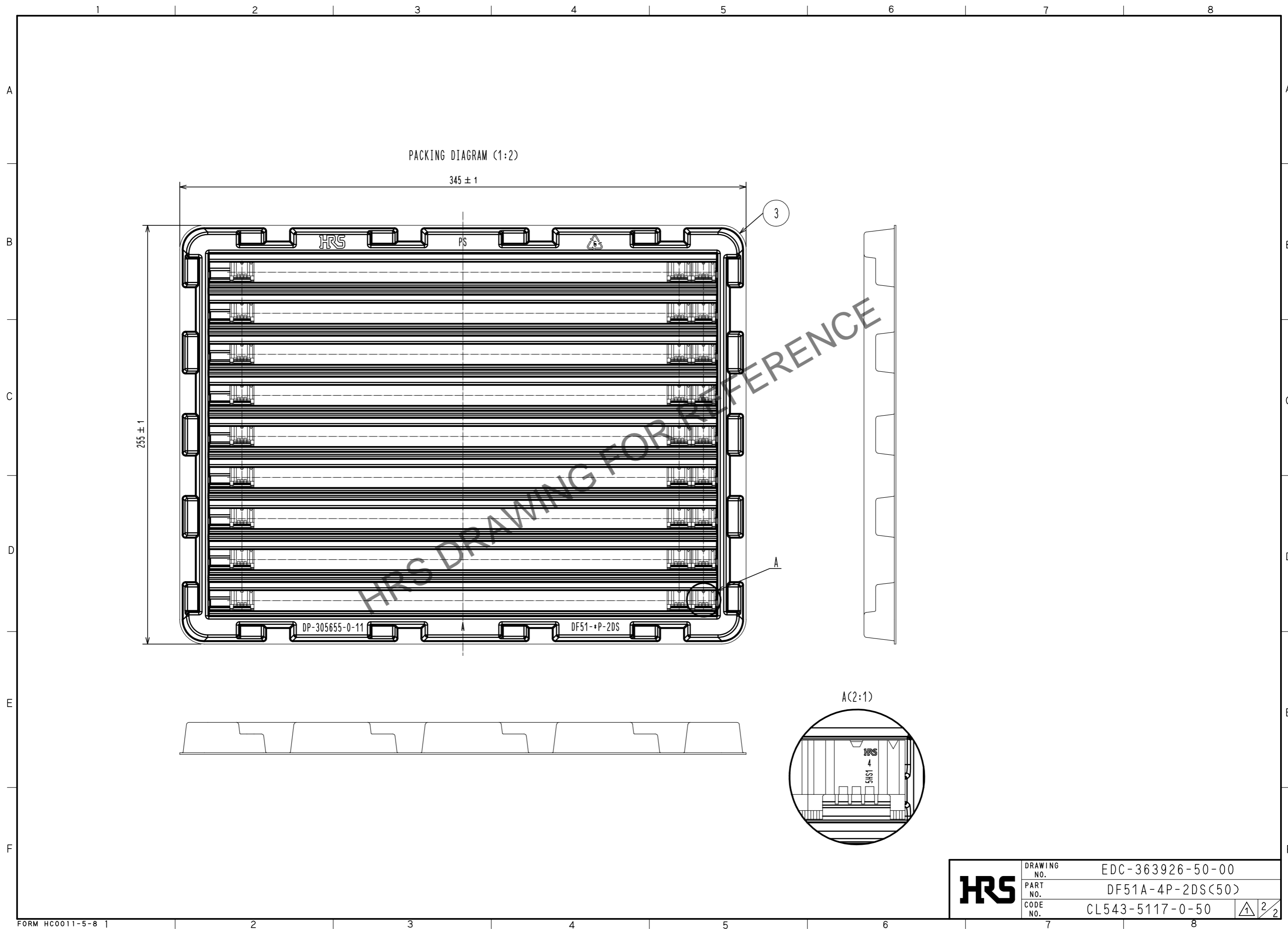
HRS DRAWING FOR REFERENCE

MATING FIGURE(2:1)



1	PBT	UL94V-0, BLACK	3	PS	WHITE		
2	BRASS		2	BRASS	SURFACE: Au PLATING 0.1 μm MIN UNDER PLATING: NICKEL PLATING 0.5 μm MIN		
NO.	MATERIAL	FINISH, REMARKS	NO.	MATERIAL	FINISH, REMARKS		
UNITS mm		SCALE 5 : 1	COUNT 1	DESCRIPTION OF REVISIONS DIS-H-00004517	DESIGNED TS. MIYAKI	CHECKED HS. OKAWA	DATE 20181217
HRS HIROSE ELECTRIC CO., LTD.		APPROVED : HS. OKAWA	20180405	DRAWING NO. EDC-363926-50-00			
		CHECKED : ST. WADA	20180405	PART NO. DF51A-4P-2DS(50)			
		DESIGNED : TH. SATO	20180405	CODE NO. CL543-5117-0-50			
		DRAWN : TH. SATO	20180405			1/2	

Sep.1.2024 Copyright 2024 HIROSE ELECTRIC CO., LTD. All Rights Reserved.
In case of consideration for using Automotive equipment / device which demand high reliability, kindly contact our sales window correspondents.



HRS	DRAWING NO.	EDC-363926-50-00
	PART NO.	DF51A-4P-2DS(50)
	CODE NO.	CL543-5117-0-50
		2/2