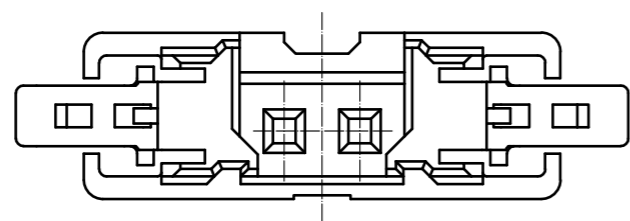
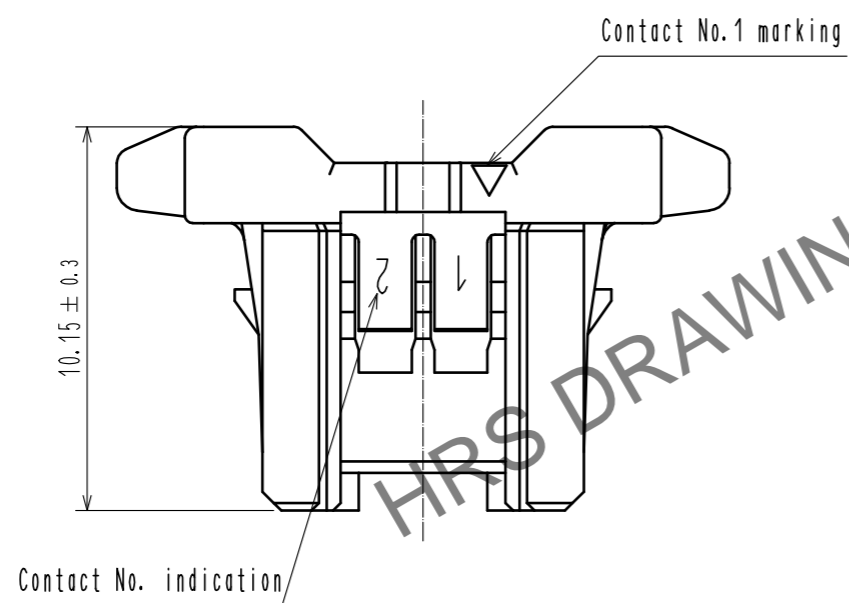
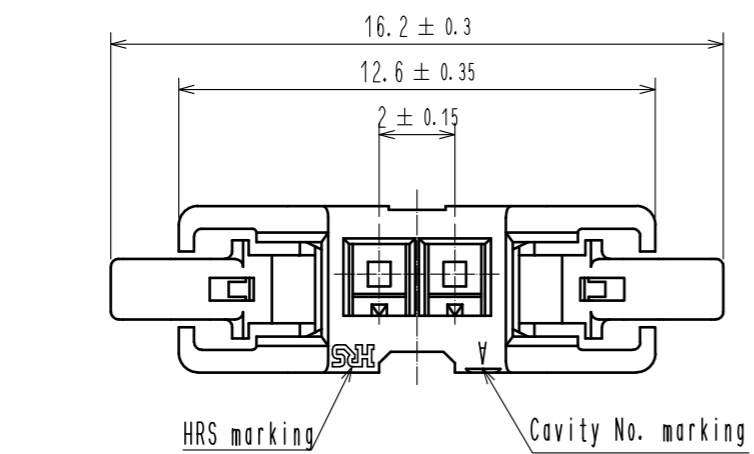


Oct.1.2024 Copyright 2024 HIROSE ELECTRIC CO., LTD. All Rights Reserved.
 In case of consideration for using Automotive equipment / device which demand high reliability, kindly contact our sales window correspondents.



HRS DRAWING FOR REFERENCE

Note 1. Per pack : 100 pieces.
 ⚠ 2. UL(File No. E52653),
 C-UL(File No. E52653) authorization article.



NO.		MATERIAL		FINISH . REMARKS		1	PBT	UL94V-0. BLACK		
UNITS	mm	SCALE	5 : 1	COUNT	1	DESCRIPTION OF REVISIONS		DESIGNED	CHECKED	DATE
HRS		HIROSE ELECTRIC CO., LTD.		APPROVED : HS. OKAWA		20160601		DRAWING NO. EDC-363929-00-00		
				CHECKED : YN. TAKASHITA		20160601		PART NO. DF51-2S-2C		
				DESIGNED : TT. OHSAKO		20160601		CODE NO. CL543-5120-0-00		
				DRAWN : TT. OHSAKO		20160601		1/1		